

PRODUCT DATA SHEET



PRODUCT CODE

CAPDFC0900

RANGE

Clear 6

DESCRIPTION

Clear 6 Pivot Door 900 Brushed Brass

WEBSITE LINK [Click Here](#)

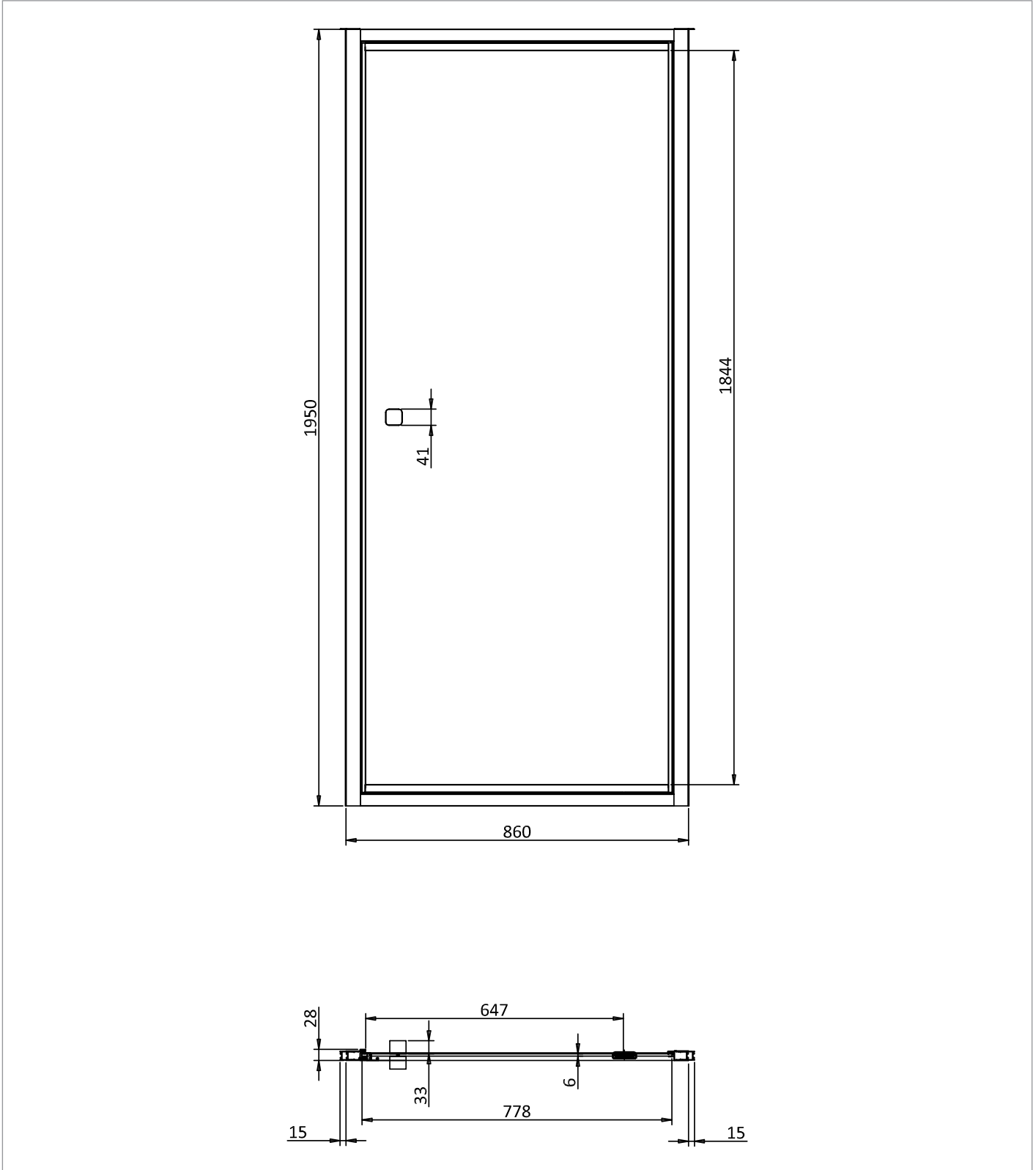
CATEGORY	Showering
WARRANTY DETAILS	Lifetime
COLOUR	Brushed Brass
FINISH APPLICATION	Anodised
PRIMARY MATERIAL	Glass
INSTALL TYPE	Wall Mounted
PRODUCT WIDTH MM	860
PRODUCT HEIGHT MM	1950
PRODUCT NET WEIGHT KG	28
STANDARDS	EN14428

HANDING SHOWERING	Universal
GLASS THICKNESS	6mm
EASY CLEAN	Yes
MAGNETIC DOOR STRIPS	Yes
POWER SHOWER PROOF	Yes
NUMBER OF DOORS	1
SOFT CLOSING DOORS	No
SAFETY GLASS	Yes
REMOVABLE SEALS	Yes
QUICK RELEASE ROLLERS	No
WET ROOM COMPATIBLE	Yes
DOOR A INFORMATION	Pivot door
DOOR OPENING	647mm
DOOR ADJUSTMENT	860-890mm

TECHNICAL DIMENSIONS

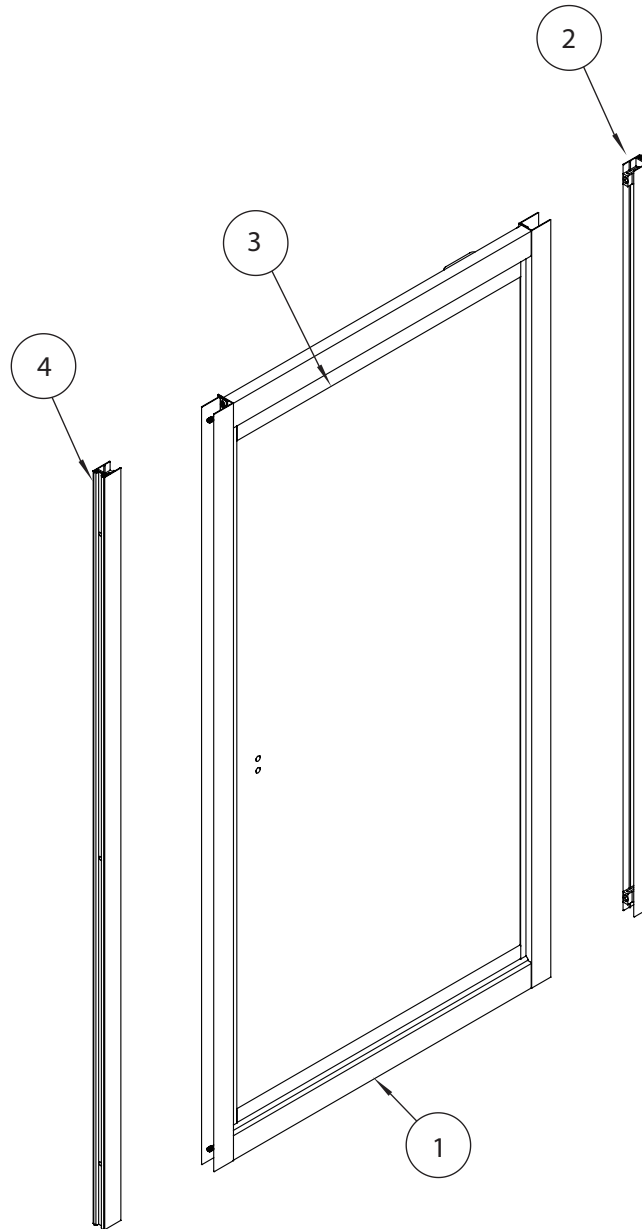
Dimensions in mm unless otherwise specified.

Tolerances (per material type) apply.



SPARES LIST

Only the parts labelled are available as spares.



NUMBER	PART CODE	DESCRIPTION
1	CA600004F	Clear 6 Track Cover Slider/Quad Br Brass
2	ET0000031	Clear 6 Locking Levers
3	CA600015	Clear Pivot Door Top/Bottom Seal 877mm
4	CA600016	Clear Pivot Door Long Seal 1889mm