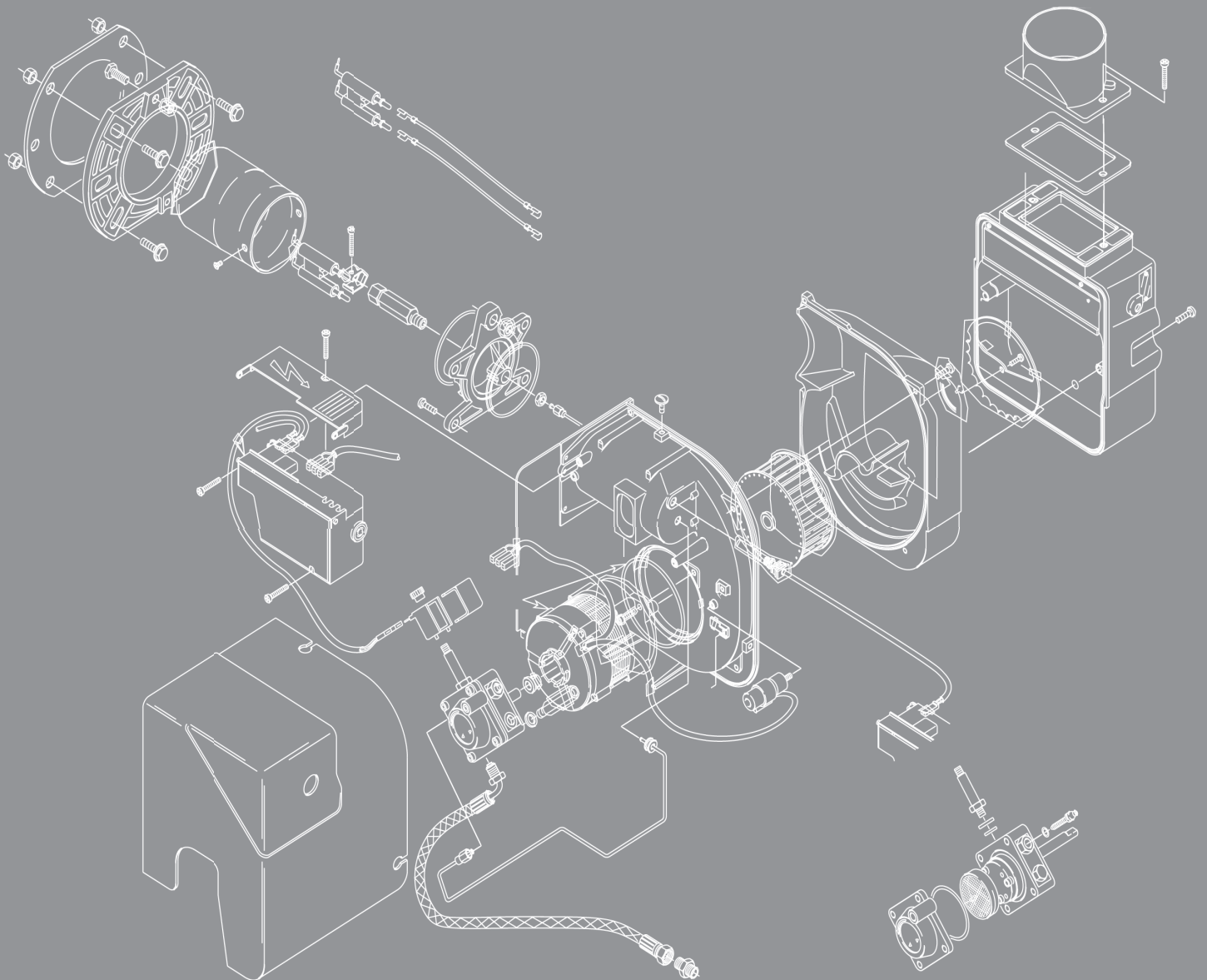





Grant Spares ROI

Grants full range of spare parts including the Riello burner spares and Danfoss nozzles



ISSUE TWO

July 2021



Grant Engineering has been designing and manufacturing reliable, efficient and innovative heating products since 1978. Specialising in condensing oil-fired boilers and an expanding range of renewable appliances including air source heat pumps, biomass boilers, solar thermal systems and hybrid technologies, the Grant brand has established a reputation for quality that is second to none.

At Grant, we combine precision engineering, innovation, performance and value for money to produce sustainable heating solutions that are trusted by installers and homeowners alike. While the technology is sophisticated, Grant products are easy to install, straightforward to maintain and backed-up by excellent after-sales support. When customers choose Grant, they also get the added peace of mind that comes with the excellent reliability and superb efficiencies of our products.

At the heart of everything we do is continuous product development. Every Grant product incorporates the latest technologies and materials which enable them to exceed performance and environmental standards ensuring that they make the best use of our natural resources. Consequently, Grant products meet the heating needs of tomorrow, today.

Contents

Burners	4
Burners	5
Exploded Burner	6
Riello RDB Spares	7
Riello RDB Spares	8
Riello RDB Spares	9
Riello RDB Spares	10
Riello RDB Spares	11
G3 Exploded Burner	12
Riello G3 Spares	13
Riello G3 Spares	14
Riello G3 Spares	15
Riello BX Spares	16
Blue Flame Spares	17
Accessories	18
Remote Sensor Fire Valves	19
Remote Sensor Fire Valves & Nozzles	20
Nozzles	21
Ecoflam Wall Hung Spares	22
Ecoflam Wall Hung Spares	23
Combi MK11 Spares	24
Combi MK11 Spares	25
Combi V3 Spares	26
Combi V3 Spares	27
Vortex Standard & System Spares	28
Vortex Standard & System Spares	29
Vortex Combi Spares	31
Vortex Combi Spares	32
Vortex Combi Spares	33
Vortex Wall Hung Spares	34
Euroflame Condensing Floor Standing Spares	35
Euroflame Utility/Boiler House/External Spares	36
Euroflame Utility/Boiler House/External Spares	37
Multipass Utility/Boiler House/External Spares	38
Expansion Vessels & Sealed System Kits	39
Sealed System Kits	39
Baffle Spares	40
Boiler Grates & Accessories	41
Boiler Grates & Accessories	42
Boiler Grates & Accessories	43
Product Efficiency	44
Notes	45
Notes	46
Notes	47

RDBVORT23

RDB1 Vortex burner 15/26KW



RDBG3

Riello G3



RDB5070TYPE 1

RDB Burner 50/70



RDB2.2VCOM36

20147350 RDB 2.2-BX-VC36



RDB2.2VORT46

RDB2.2 Vortex burner 46



RDBVORT58

RDB3.2 Burner 58KW



RDBVORT70

RDB3.2 Burner 70KW



RDB2.2-BX-V2636

20109931 RDB2.2-BX-V26/36



RDB2.2-BX-V3646

20110334 RDB2.2-BX-V36/46



RDB2.2-BX-VC-26

20147322 RDB2.2-BX-VC-26



RDB2.2-BX-V15-26

20094977 RDB2.2-BX-V15-26



RDB2.2-BX-E1521

20147321 RDB2.2-BX-E15/21



RDB 2.2-BX-VC36

20147350 RDB 2.2-BX-VC36



RDBG5

Riello G5



RDB2.2-BX-E2126

20147346 RDB2.2-BX-E21/26



RDB2.2VORTBLUE21

20105294 RDB2.2 BG1 21kW



RDB2.2VORTBLUE26

20105292 RDB2.2 BG1 26kW



RDB2.2VORTBLUE36

20116137 RDB2.2 BG3 36kW



RDB2.2VORTAH26

20143417 RDB2.2VORTAH26



ECO1216BURNER

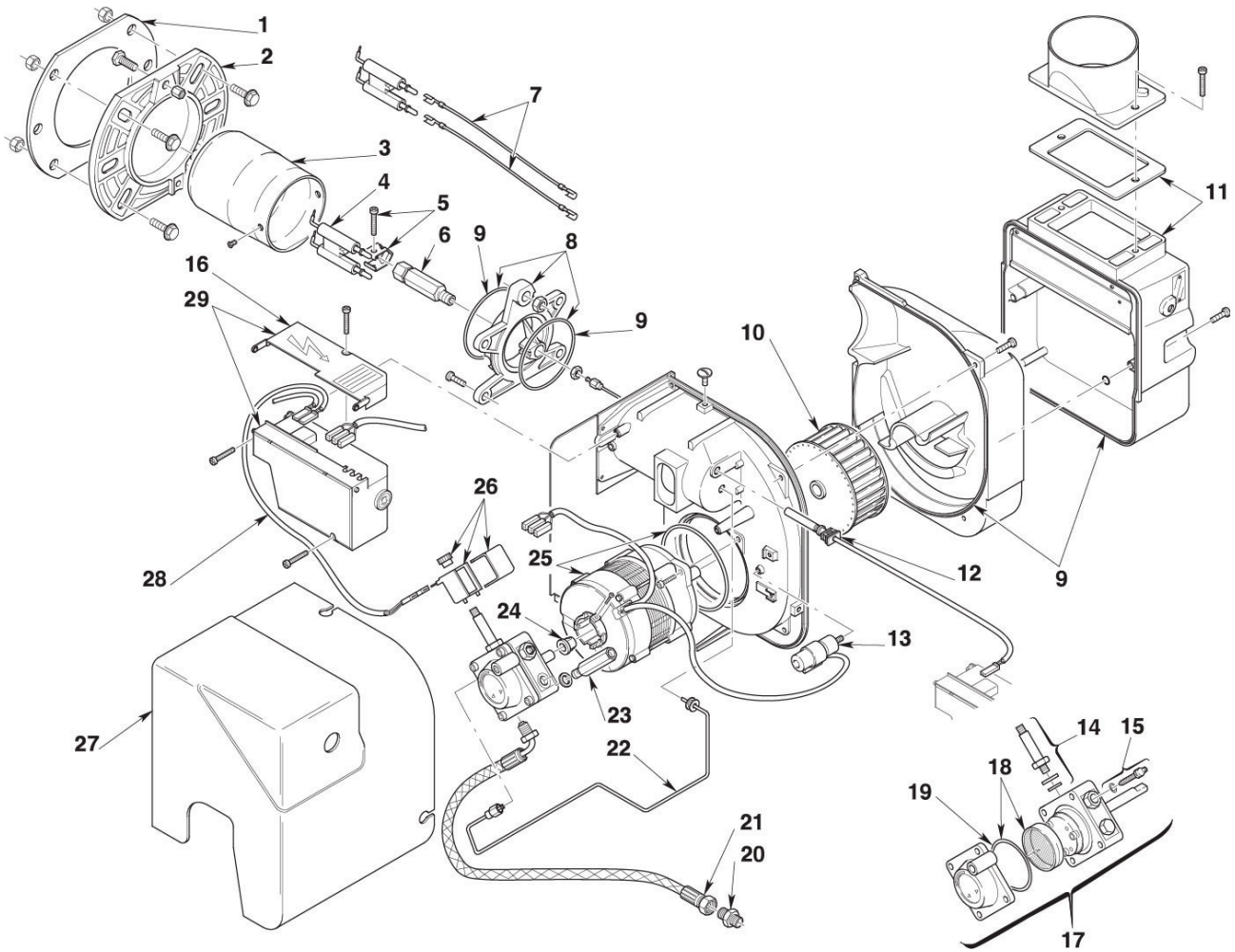
ECOFLAM max1 Vortex burner WM12/16



ECO1621BURNER

ECOFLAM max1 Vortex burner WM16/21





Model	
RDB23 Vortex 26-36	
RDB1 Vortex 15-26	

No.	Description	Code
1	Flange Gasket	R3002402
2	Flange	R3006384
3	Blast Tube	R3002438
3	Blast Tube	R3002423
4	Electrode Assembly	R3007513
5	Electrode Bracket	R3006552
6	Nozzle Holder	R3008642
7	High Voltage LEAD	R3008794
8	Collar	R3008643
9	Kit Seals	R3008878
10	Fan	R3008645
10	Fan	R3005708
11	Air Damper Assembly	R3008839
11	Air Damper Assembly	R3008647

No.	Description	Code
12	P.E. Cell	R3008646
13	Capacitor 4.5 (new motor)	R20071576
14	Solenoid Valve	R3007871
15	Pump Pressure Regulator	R20032135
16	Control Box Protection	R3008649
17	Pump	R20030953
18	Filter O-Ring	R3020436
19	O-Ring	R3007175
20	Connector	R3003602
21	Hose(*)	R3007621
22	Tube	R3008644
23	Pressure Gauge	R3008876
24	Drive Coupling	R3000443
25	Motor & Capacitor	R20071577
26	Solenoid Coil	R3008648
27	Cover	R3008879
28	LEAD Coil	R3008851
29	Control Box	R3008652

(*)Optional Spare Part

R20030953

Oil pump



R3008652

Control box 535



R20071576

Capacitor 4.5 (new motor)



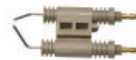
R20022601

Flexi oil hose 900mm 1/4 X 3/8



R3007513

Electrode



R3008964

Motor 3.2 RDB



R20132526

Photodiode



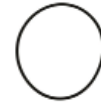
R3007132

Ram seal (10 PACK)



R3007178

Comustion head O ring



R3007798

Thin mounthing flange



R3008637

Flange 3.2 RDB



R3006384

Standard flange (thick)



R2566316

Oil supply Accessory kit



R3000443

Drive coupling



R3002507

Combustion head T1



R3002423

Combustion head T2



R3002447

Combustion head T3



R3002570

Nozzle holder RDB 3.2



R3002572

Combustion head 3.2 RDB



R3003602

Adaptor oil line 3/8 X 1/4



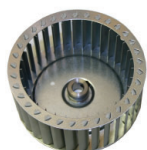
R3003794

HT lead (10 PACK)



R3005708

Fan impeller (G5/RDB)



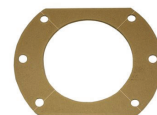
R3005719

Oil pump filter



R3005787

Gasket flange



R3008643

RDB collar



R3008644

Oil pump tube supply RDB 1 + 2



R3008645

Fan impeller RDB 2



R3008647

Air damper RDB 1



R3008648

Solenoid coil



R3005795

Gasket Flange 3.2 RDB



R3008653

Pump filter T O ring



R3008724

Comustion head LD2



R3008768

Comustion head LD3 70/90



R3008769

Combustion head LD3A 90/120 110/140



R20132553

Short Photodiode



R3008851

Solenoid lead



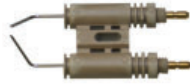
R3008859

Combustion head LD2SX 50/70 (euroflame)



R3008860

Electrode 50/70



R3008861

Nozzle holder 50/70 euroflame



R3008876

Press gauge connector



R3008878

Seal kit



R3008961

Supply tube RDB 3.2



R3007871

Solenoid needle valve



R3020121

Electrodes RDB 3.2



R3020436

Oil pump filter O ring



R3062775

Snorkle RDB 1 + 2



R3008642

Nozzle holder



R20071577

Motor RDB 1/2 2.2



R20029299

Bypass plug (5 PACK)



R3005788

Fan impeller RDB 2.1/2.2



R3005799

Fan impeller RDB 3.2



R3008839

Air damper RDB 3.2



R20087035

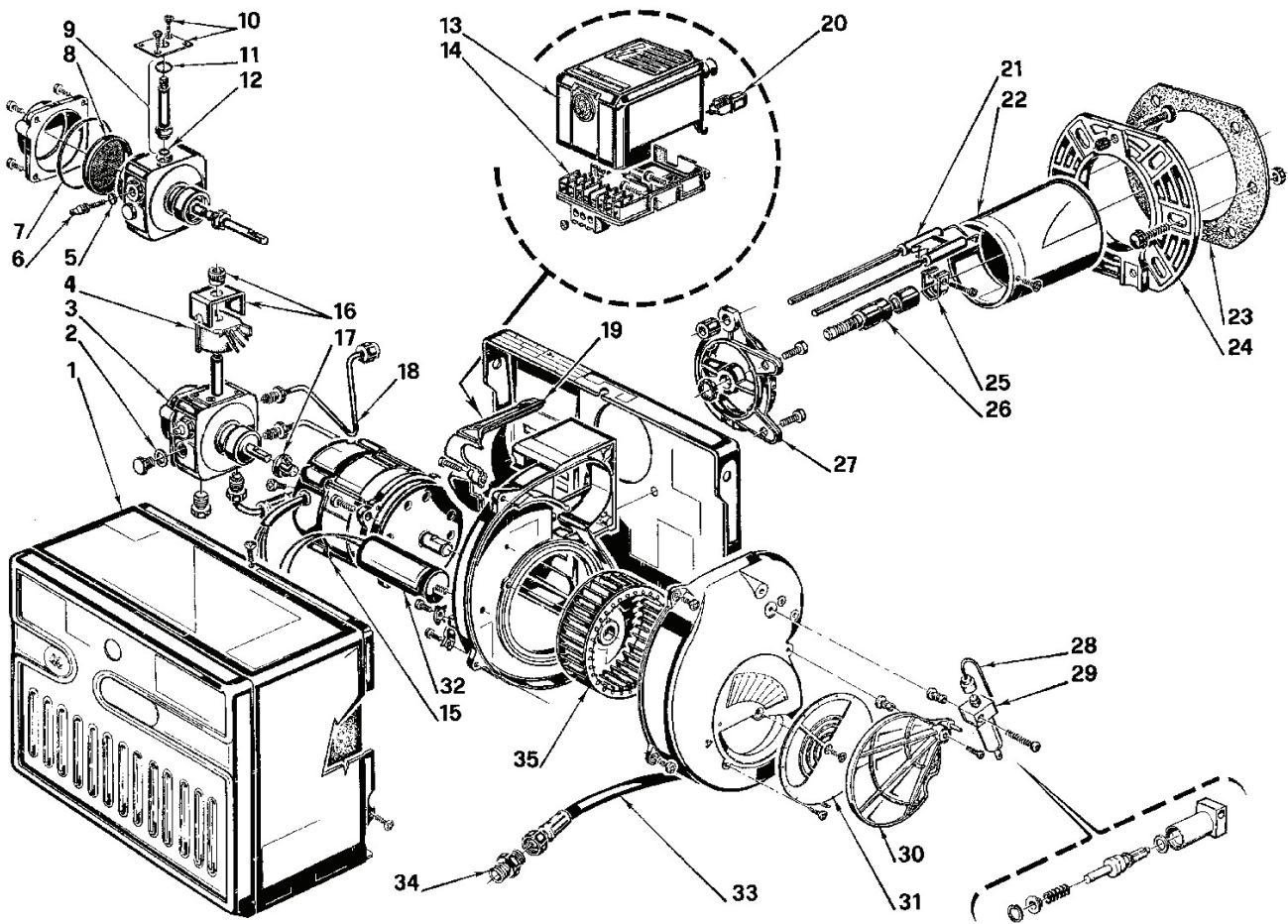
Capacitor 4uF



R20081251

Capacitor P2 5uF





Model

G3 Burner

No.	Description	Code
1	Cover	3007232
2	Seal	3007077
3	Pump	20031996
4	Coil	3002279
5	O-Ring	3007169
6	Pump Pressure Regulator	3007202
7	O-Ring	3007175
8	Filter	3005719
9	Needle Valve	3020437
10	Plate	3007203
11	O-Ring	3007176
12	O-Ring	3007177
13	Control Box	3001156
14	Terminal Board	3002278
15	Motor	3007971
16	Shell & Knob	3006553
17	Joint	3000443
18	Tube	3005723

No.	Description	Code
19	Cover	3006554
20	P.E. Cell	3002280
21	Electrode Assembly	3005721
22	Blast Tube	3006001
23	Flange Gasket	3005787
24	Flange	3008636
25	Electrode Bracket	3006552
26	Nozzle Holder	3005724
27	Collar	3005760
28	Tube	3007814
29	Hydraulic Jack	3020500
29	Hydraulic Jack	3006911
30	Air Damper	3000878
31	Air Damper	3007204
32	Capacitor 4 μ F	20087025
33	Hose	20022601
34	Connector	3009068
35	Fan	3005708

R3000443

Drive coupling



R3001156

Control box 530E



R3002278

Control box base



R3002279

Solenoid coil



R3003602

Adaptor oil line 3/8 X 1/4



R3005708

Fan impeller (G5/RDB)



R20087025

Capacitor 4uf



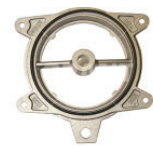
R3005721

Electrode assembly G5



R3005760

G3 collar



R20031996

Oil Pump



R20132573

Photodiode



R20022601

Flexi oil hose 900MM 1/4 X 3/8



R3006384

Standard flange (thick)



R3006553

Solenoid cover & nut



R3007502

Oil pump outlet tube



R3007503

Electrode assembly



R3007623

Oil supply tube inlet



R3007631

Combustion head G3S 110/140



R3007796

Collar burner head mounting



R3007971

Motor



R3008446

Combustion head G3Q 40/60



R3020437

Solenoid valve



R3020444

Long hydraulic ram



R3020500

Short hydraulic ram



R3005775

Combustion head



R3005787

Flange gasket



R3006001

Combustion head G3B 50/90



R3005709

Nozzle holder



20018545

Electrode 15 - 26kW



20018693

Electrode 26-46kW



20076038

Blast tube BX 700 26 - 46kW



20147320

Blast tube BX500 15 - 26kW



20132526

Flame sensor



20133586

Diffuser disc 26-36kW



20139837

Diffuser disc 15 -26kW



20133588

Nozzle holder



20134372

Knob



R2010511

Ignition ht lead (2 per pack)



R20030953

Oil pump



R20071577

Motor and capacitor



R20095126

20kW Sensor



R20117435

21 & 26kW Combustion head



R20117437

36kW Combustion head



R20117694

Control box



R20117459

Nozzle holder 21 & 26kW



R20117461

Nozzle holder 36kW



R20117472

Collar 21 & 26 kW



R20117476

Collar 36 kW



CMF3/8

3/8" Oil filter



CF489

Crossland filter 489 replacement



SNORKKIT

Snorkel tube



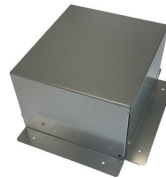
CONPUMP

Condensate pump



DEACOVER

External de-aerator cover



GEO36035

Weather compensator geo 360 35MM



GEO36028

Weather compensator geo 360 28mm



ZGES264

GES264 Sequence controller



GRINHIB

G1000 Inhibitor



OIL02

Oil gauge manifold



OIL01

Oil pressure gauge



FV9020

90c 2 Metre



FV6515

65c 1.5 Metre



FV6530

65c 3 Metre



FV6560

65c 6 Metre



FV6590

65c 9 Metre



FV9030

90c 3 Metre



FV9060

90c 6 Metre



FV9090

90c 9 Metre



FV90120

90c 12 Metre



FV90160

90c 16 Metre



FV90200

90c 20 Metre



FV65160

65c 16 Metre





Nozzles

Part Number:	Description
NOZ3580H	0.35/80EH
NOZ4080EH	0.40/80EH
NOZ4060S	0.40/60S
NOZ4080S	0.40/80S
NOZ5060EH	0.50/60EH
NOZ5080EH	0.50/80EH
NOZ5060H	0.50/60H
NOZ5080H	0.50/80H
NOZ5080S	0.50/80S
NOZ5060S	0.50/60S
NOZ5080ES	0.50/80ES
NOZ5060ES	0.50/60ES
NOZ5560EH	0.55/60EH
NOZ5580EH	0.55/80EH
NOZ5560ES	0.55/60ES
NOZ5560H	0.55/60H
NOZ5580H	0.55/80H

Part Number:	Description
NOZ5560S	0.55/60S
NOZ5580S	0.55/80S
NOZ6080EH	0.60/80EH
NOZ6060EH	0.60/60EH
NOZ6060H	0.60/60H
NOZ6080H	0.60/80H
NOZ6060ES	0.60/60ES
NOZ6060S	0.60/60S
NOZ6080S	0.60/80S
NOZ6560EH	0.65/60EH
NOZ6580EH	0.65/80EH
NOZ6560ES	0.65/60ES
NOZ6580ES	0.65/80ES
NOZ6560H	0.65/60H
NOZ6580H	0.65/80H
NOZ6560S	0.65/60S
NOZ6580S	0.65/80S
NOZ7560EH	0.75/60EH
NOZ7580EH	0.75/80EH
NOZ7560ES	0.75/60ES
NOZ7580ES	0.75/80ES
NOZ7560H	0.75/60H
NOZ7580H	0.75/80H
NOZ7560S	0.75/60S
NOZ7580S	0.75/80S

Part Number:	Description
NOZ8560EH	0.85/60EH
NOZ8580EH	0.85/80EH
NOZ8560ES	0.85/60ES
NOZ8580ES	0.85/80ES
NOZ8560S	0.85/60S
NOZ10060EH	1.00/60EH
NOZ10080EH	1.0/80EH
NOZ160ES	1.00/60ES
NOZ10080ES	1.00/80ES
NOZ10060H	1.00/60H
NOZ10080H	1.00/80H
NOZ10060S	1.00/60S
NOZ10080S	1.00/80S
NOZ11060EH	1.10/60EH
NOZ11080EH	1.10/80EH
NOZ11060ES	1.10/60ES
NOZ11060S	1.10/60S
NOZ12080H	1.20/80H
NOZ12080S	1.20/80S
NOZ12060S	1.20/60S
NOZ12560H	1.25/60H
NOZ12580H	1.25/80H
NOZ12580S	1.25/80S
NOZ12560S	1.25/60S
NOZ13560H	1.35/60H
NOZ13580S	1.35/80S
NOZ13560S	1.35/60S
NOZ15080H	1.50/80H
NOZ15060S	1.50/60S
NOZ16580S	1.65/80S
NOZ16560S	1.65/60S
NOZ17560H	1.75/60H
NOZ17560S	1.75/60S
NOZ17580S	1.75/80S
NOZ20060H	2.00/60H
NOZ20060S	2.00/60S
NOZ22560S	2.25/60S
NOZ22580H	2.25/80H
NOZ2560S	2.50/60S

Part Number:	Description
NOZ5580ES	0.55/80ES
NOZ6080ES	0.60/80ES
NOZ8580H	0.85/80H
NOZ8580S	0.85/80S
NOZ11080S	1.10/80S
NOZ13580H	1.35/80H
NOZ20080S	2.00/80S
NOZ35060S	3.50/60S
NOZ30060S	3.00/60S
NOZ40060S	4.00/60S
NOZ22580H	2.25/80H
NOZ4560S	0.45/60S
NOZ1.0GAL/80EH	1.00/80EH
NOZ1.0GAL/80H	1.00/80H
NOZ11080ES	1.10/80ES
NOZ1160EH	1.10/60EH
NOZ1160S	1.10/60S
NOZ1280S	1.20/80S
NOZ160EH	1.00/60EH
NOZ3560S	3.50/60S
NOZ4560ES	0.45/60ES
NOZ4580EH	0.45/80EH
NOZ8560H	0.85/60H
NOZ1.3580S	1.35/80S

EBS01

EBS01 Oil pump



EBS02

EBS02 Coil



EBS03

EBS03 Oil valve



EBS04

EBS04 Drive Coupling



EBS06

EBS06 Oil line



EBS09

EBS09 Motor



EBS10

EBS10 Capacitor



EBS11

EBS11 Transformer



EBS13

EBS13 Control box



EBS14

EBS14 Photodiode



EBS17

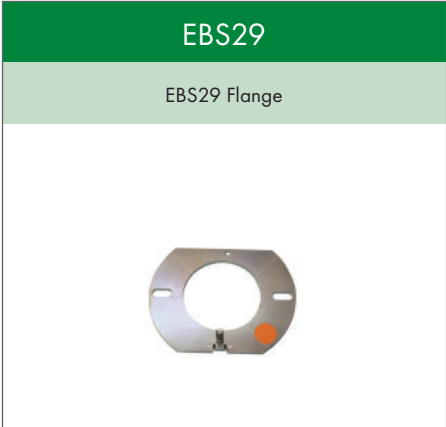
EBS17 Fan



EBS22

EBS22 Electrode





ZSWSPONOFF

Boiler ON/OFF Switch (ext models)



ZCFR202000

Door rope gasket (20mm) 2 mtr



ZCFR16490

Door rope gasket (16mm) 1/2 mtr



Z22NRV

Non-return check valve 22mm



ZCBAAV

Automatic air vent



ZCBDV

Diverter valve



ZCBDVKIT

Diaphragm kit



ZCBDVMS

Microswitch assembly



ZCBHEXP

15 plate heat exchanger



ZCBTMV

Thermostatic mixing valve



ZCPUMPW

Wilo modulating pump RS 25/6



ZTHW18.3X12X7

Fibre washer 18OD



ZTHW24X15X8

Fibre washer 24OD



ZSWDPNSP

On/off double pole switch (neon)



ZPRESSURESWITCH

Low pressure switch



ZPG4055

Water pressure gauge (ext models)



ZSTATPOC

Thermostatic pocket



ZHF370+Z15DCV+Z15SC

Filling loop kit with valves



ZINDCSTAT

Boiler (heating) thermostat



ZINDHSTAT

Overheat thermostat reset button



ZINDPSTAT

Primary store thermostat



ZPCBEX358

Electronic temperature control upgrade



Z04GAUGE

Water pressure gauge (int models)



SRVNP1/2B

3.0 bar pressure relief valve (ext models)



ZINDHSTAT

Overheat thermostat reset button



ZCFR202000

Door rope gasket (20mm) 2 mtr



ZSWSPONOFF

Boiler on/off switch (ext models)



Z0/4GAUGE

Water pressure gauge (int models)



SRV1/23B

3.0 bar pressure relief valve (int models)



SRVNP1/23B

3.0 bar pressure relief valve (ext models)



Z15CV

Isolation valve 15mm (cold water inlet)



Z22NRV

Non-return check valve 22mm



Z22PV

Pump valve pair 22mm



Z35HEATEXCH

Plate heat exchanger



ZCBAAV

Automatic air vent



ZCBDV

Diverter valve



ZCBDVKIT

Diaphragm kit



ZCBDVMS

Microswitch assembly



ZCBTMV

Thermostatic mixing valve



ZCPUMPW

Wilo modulating pump RS 25/6 mtr



ZHEV450

Expansion vessel flexi hose



ZHF370+Z15DCV+Z15SC

Filling loop kit with valves



ZSWPNN

Heating/rocker switch



ZPCBEX358

Temp control PCB (pre Sept 08) inc black thermister



ZPG4055

Water pressure gauge (ext models)



ZPRESSURESWITCH

Low pressure switch



ZSTATPOC

Thermostatic pocket



ZSWDPNSP

On/off double pole switch (neon)



DS110/140MOD

Dual stat boiler house



VCB

Cleaning brush for Vortex



Z0/4GAUGE

Water pressure gauge (int models)



SRV1/23B

3.0 bar pressure relief valve (int models)



SRVNP1/23B

3.0 bar pressure relief valve (ext models)



Z22PV

Pump valve pair 22mm



Z28PV

Pump valve pair 28mm



ZCBAAV

Automatic air vent



ZTEMP/PRESGAUGE

Temp & pressure gauge



ZCFR202000

Door rope gasket (20mm) 2 mtr



ZCFR16490

Door rope gasket (16mm) 1/2 mtr



ZCONFLEXHOSE

Flexi condensate hose (all ext floor models & bhse)



ZCONHOSE4670

Flexi condensate hose (int 46-58kW/58-70kW)



ZCONHOSE2646

Flexi condensate hose (int 15-26kW/26-36kW/36-46kW)



ZCONHOSE1521

Flexi condensate hose short (int 15-21kW)



ZCONTRAP

Condensate trap



ZCPUMPPARA2570

Wilco modulating pump RS 25/7 mtr



ZHEV450

Expansion vessel flexi hose



ZHEV800

Expansion vessel hose 26-36kW



ZHF370+Z15DCV+Z15SC

Filling loop kit with valves



ZINDCSTAT

Boiler (heating) thermostat



ZINDHSTAT

542055 Limit Stat 110 Deg c manual reset SBSC



ZMODFSTAT

Frost stat (ext models)



ZTEMPGAUGE

Temperature gauge



ZPRESSURESWITCH

Pressure Switch



ZSTATPOC

Stat pocket



ZSWDPNSP

On/off double pole switch (neon)



ZPCBPROBESJ1028-1DHW

Sensor for PCB - white



ZPCBPROBESJ1028-2CH

Sensor for PCB - black



Z0/4GAUGE

Water pressure gauge (int models)



SRV1/23B

3.0 bar pressure relief valve(int & ext combis)



Z1/4MAV

Manual air vent



Z15CV

Isolation valve 15mm (cold water inlet)



Z28BV

Isolation valve 28mm (blue handle)



Z22NRV

Non-return check valve 22mm



Z28NRV

Non-return check valve 28mm



Z22BV

Isolation valve 22mm (blue handle)



Z22PV

Pump valve pair 22mm



Z28PV

Pump valve pair 28mm



Z35HEATEXCH

Plate heat exchanger (35 plate)



ZCBAAV

Automatic air vent



ZCBTMV

Thermostatic mixing valve



ZWPRELAYBASE

Base relay



ZCFR202000

Door rope gasket (20mm) 2 mtr



ZCFR16490

Door rope gasket (16mm) 1/2 mtr



ZCPUMPPARA2570

Wilo modulating pump RS 25/7 mtr



ZHF370+Z15DCV+Z15SC

Filling loop kit with valves



ZINDHSTAT

Overheat stat reset button



ZNRV

Grant non-return valve new 1 1/2x1 1/2



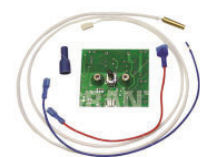
ZPCBX316

PCB temp control only (after sept 08) inc black & white thermister



ZPCBEX358

Temp control PCB (pre Sept 08) inc black thermister



ZPRESSURESWITCH

Pressure Switch



ZSIKA36FLOW

Flow switch (pre 08)



ZSIKAFLOWSW

Flow switch vtxcombi26 (& vtxcombi36 after 15/05/08)



ZSTATPOC

Stat pocket



ZSWDPNSP

On/off double pole switch (neon)



ZSWMOMON

Timed test switch



ZSWTWIN

Twin switch heating store (indoor combi pre Sept 08)



ZVORTRELAY

Relay (clear)



ZVORTRELAYBASE

Base relay (grey)



ZWPRELAY

Relay (ext combi)



ZHEV800

Expansion vessel hose 26-36kW



ZCPUMPW

Wilo modulating pump RS 25/6 mtr



SRV1/23B

3.0 bar pressure relief valve



ZCBAAV

Automatic air vent



ZSTATPOC

Stat pocket



ZCFR202000

Door rope gasket (20mm) 2 mtr



ZCFR16490

Door rope gasket (16mm) 1/2 mtr



ZCONTRAP

Condensate trap (inside casing fit)



ZINDCSTAT

Boiler (heating) thermostat



ZINDHSTAT

Overheat thermostat reset button



ZMODFSTAT

Frost stat (ext models)



ZSWSPONOFF

Boiler on/off switch (ext models)



ZSWDPNSP

On/off double pole switch (neon)



DS110/140MOD

Dual stat boiler house



Z1/2SRVNP

3.0 bar pressure relief valve



ZCBAAV

Automatic air vent



ZCPUMPW

Wilo modulating pump RS 25/6 mtr



ZINDCSTAT

Boiler (heating) stat



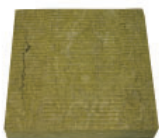
ZINDHSTAT

Overheat stat reset button



ZROCK50

Rock wool sheet 1200 x 600mm



ZSWSPONOFF

Boiler on/off switch (ext models)



ZSWDPNSP

On/off double pole switch (neon)



DSBH

Dual stat (boiler house)



DS110/140MOD

DUAL STAT 450 MM CAPILLARY



Z0/4GAUGE

Water pressure gauge (int models)



SRV1/23B

3.0 bar pressure relief valve (int models)



SRVNP1/2B

3.0bar pressure relief valve (ext models)



Z22PV

Pump valve pair 22mm



Z28PV

Pump valve pair 28mm



ZCBAAV

Automatic air vent



ZCER296X133X13

Cleaning door aluboard 70-90 & 90/120



ZCER218X118X13

Cleaning door aluboard 50/70



ZHF450

Expansion vessel flexi hose



ZHF370+Z15DCV+Z15SC

Filling loop kit with valves



ZINDCSTAT

Boiler (heating) thermostat



ZINDHSTAT

Overheat thermostat reset button



TSWFH

Flash time clock



ZSWDPNSP

On/off double pole switch (neon)



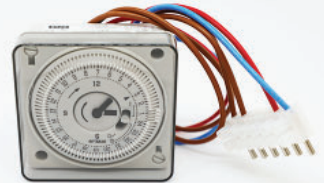
ZSWPONOFF

Boiler on/off switch (ext models)



ZTSWDL

Diehl Time Clock



ZTWINROCSW

Heating/rocker switch



ZCPUMPW

Wilo modulating pump RS 25/6 mtr



ZCPUMPPARA2570

Wilo modulating pump RS 25/7 mtr



DSBH

Dual stat (boiler house)



SRV1/23B

3.0 bar pressure relief valve (int models)



Z22PV

Pump valve pair 22mm



Z28PV

Pump valve pair 28mm



ZCBAAV

Automatic air vent



ZCPUMPW

Wilo modulating pump RS 25/6 mtr



ZCFR202000

Door rope gasket (20mm) 2 mtr



ZCFR16490

Door rope gasket (16mm) 1/2 mtr



ZHF370+Z15DCV+Z15SC

Filling loop kit with valves



ZINDCSTAT

Boiler (heating) stat



ZINDHSTAT

Overheat thermostat reset button



ZSTATPOC

Stat pocket



ZEXPV8LWIN

8ltr expansion vessel (wall hung)

ZEXPV10L541WIN

10ltr expansion vessel, for Euroflame Internal 50/70 & 70/90, Euroflame External models, (Standard efficiency models) Vortex Pro 15-21KW

ZEXPV12LWIN

12Ltr exp vessel C/W bracket, for Combi MKII, Combi 90v3, Euroflame Internal 50/90 & 90/120, Multipass 50/70, 70/90 & 90/140, Vortex 15/26, Voertex Combi 26 (pre Dec 2014) & Euroflame Condensing

ZEXPV12L541WIN

12 Ltr Vessel

ZEXPV12L531WIN

12ltr expansion vessel flat 26-36kW system (no bracket)

ZEXPV16LWIN

16ltr expansion vessel 36-46kW

ZEPV24LWIN

24 Ltr vessel, for all Vortex Combis post Dec 2014

ZEXPV14LWIN

14 Ltr expansion vessel for a Vortex Combi 36 (pre Dec 2014)

Sealed System Kits

Stock Code:	Description
OMVORTSS1521	Vortex External Sealed System Kit 15-21kW
OMVORTSS1526	Vortex External Sealed System Kit 15-26kW
OMVORTSS1526	Vortex External Sealed System Kit 26-46kW
OMVORTSSECO1535	Euroflame Cond 50-120 Sealed System Kit

Stock Code:	Description
BAFMPBS200	Multipass 160/200 Complete Set
BAFMPBS110	Multipass 90/110 Complete Set
BAFMPBS140	Multipass 90/140 & 110/140 Complete Set
BAFEFBSM190	Euroflame 50/90 MK1 (PRE 1994)
BF-06	Euroflame Condensing 50/70 & 70/90 Full Set
BF-07	Euroflame Condensing 90/120 Full Set
BF-03	Vortex 90/120 & 120/155 Full Set
BF-05	Vortex 200/240 (58/70Kw)
BF-04	Vortex 155/200 (46/58kW)
BF-02	Complete baffle set 15-26kW
BF-08	Complete baffle set 12-16kW
BF-08	Complete baffle set 16-21kW
BAFEFBS120	Complete baffle set (90/120)
BAFEFBS70	Complete baffle set (50/70)
BAFEFBSM290	Euroflame MK2 Baffles 50/90
CAS250	Turbulators (each) 15-21kW & 21-26kW
CAS360	Turbulators (each) 26-35kW
CAS 476	Turbulators 476mm (each) vtx46-70
BAFMP110140BASE	Multipass 110-140 Base Baffle
BAFMP140160BASE	Multipass 140-160 Base Baffle
BAFMP160200BASE	Multipass 160-200 Base Baffle
BAFMP4090BASE	Multipass 40-90 Base Baffle
BAFMP90140BASE	Multipass 90-140 Base Baffle
BAFMPBS90	Multipass Baffle Set 70/90
BAFSLBS5090	Slimline Baffle Set 50/90
BAFSLBSM1	Slimline Baffle SetMK 1
BAFSLBSM2	Slimline Baffle SetMK 2
BAFTPBS5090	Triple Pass Baffle Set50/90
BAFTPBS70125	Triple Pass Baffle Set 70/125
BF - 01	Vortex Baffle Set 15-21
BF - 09	Vortex Baffle Set COMBI XS

Q16DAMPER

16" Damper



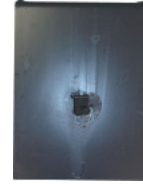
BB16CD

Cleaning Door 16" Triple Pass Back Boiler



BB18CD

Cleaning Door 18" Triple Pass Back Boiler



Q18DAMPER

18" Damper



QCGB

Short Bars (9.5")



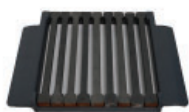
QSB

Long Bars (11.5")



QGRATE16QS

16" Queenstar Grate



QGRATE16RF

16" Cast Iron Grate Round Front



QGRATE18QS

18" Queenstar Grate



QGRATE18RF

18" Cast Iron Grate Round Front



QLB16

Queenstar Log Bar 16"



QLB18

Queenstar Log Bar 18"



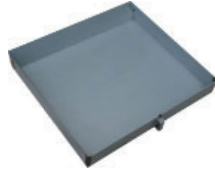
QOT

Queenstar Operating Tool



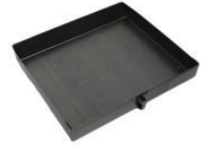
QSA16

16" Queenstar Square Ashpans



QSA18

18" Queenstar Square Ashpans



QCLEANTOOL

Back Boiler Operating Tool



QSAT16

16" Queenstar Ashpan Tapered



QSAT18

18" Queenstar Ashpan Tapered



QSGRD16

16" Queenstar Grid



QSGRD18

18" Queenstar Grid



QSGT16

16" Queenstar Grate Tapered



QSGT18

18" Queenstar Grate Tapered



QSDF16B

16" Queenstart Drop Front



QSDF18B

18" Queenstart Drop Front



QSAD16B

16" Queenstar Ashpit Door



QSAD18B

18" Queenstar Ashpit Door



QSF18B

18" Queenstar Fire Front Only



QSF16B

16" Queenstar Fire Front Only



QSF16

16" Queenstar Fire Front Only Brown



QSF18

18" Queenstar Fire Front Only Brown





Vortex Condensing Oil Boilers	Efficiency
50-70 (V15-21kW) Utility & Module	93%
50-90 (V15-26kW) Utility, Boilerhouse & Module	95%
90-120 (V26-36kW) Utility, Boilerhouse & Module	97%
120-155 (V36-46kW) Utility, Boilerhouse & Module	92.6%
155-200 (V46-58kW) Utility, Boilerhouse & Module	94.1%
200-240 (V58-70kW) Utility, Boilerhouse & Module	93.6%
Combi 26e Indoor	92.2%
Combi 36e Indoor	94.2%
Combi 26e Outdoor Module	92.2%
Combi 36e Outdoor Module	94.2%
40-55 (V12-16kW) Wall Hung Utility & Module	94.9%
55-70 (V16-21kW) Wall Hung Utility & Module	93.8%

Euroflame Condensing Oil Boilers	Efficiency
50-70 (E15-21kW) Utility, Boilerhouse & Module	93%
70-90 (E15-26kW) Utility, Boilerhouse & Module	92.4%
90-120 (E26-36kW) Utility, Boilerhouse & Module	92.1%

Further Information

All prices are exclusive of VAT. A full copy of our terms and conditions is available on request. The Company reserves the right to alter prices, specifications and discounts without prior notice.

E & OE



Grant Engineering (IRL) ULC

Crinkle, Birr, Co.Offaly
R42 D788, Ireland

W: www.grantengineering.ie

E: info@grantengineering.ie

T: +353 (057) 912 0089 F: +353 (057)912 1060



This leaflet is accurate at the time of printing but as Grant has a policy of continual improvement it may be superseded. We reserve the right to amend specifications without prior notice. The statutory rights of the consumer are not affected.

All products manufactured under I.S. EN ISO 9001. Grant additionally holds ISO 14001 accreditation.

™THE GRANT 'EZ-FIT FLUE' SYSTEM is a trade mark of Grant Engineering Limited.

©Grant Aeron3, Grant Uflex, Afinia, Grant Spira, Grant Vecta, Grant SpiraVac, Grant SpiraPod, Grant Vortex, Grant VortexBlue, Grant VortexAir, Grant Solar, Grant Aurora, Grant Sahara, Grant CombiSOL, Grant WinterSOL, Grant MonoWave, Grant DuoWave, Grant ThermaWave, Euroflame and Multi Pass are registered trade marks of Grant Engineering Limited. The contents of this leaflet are fully protected by copyright and nothing can be reproduced without permission from Grant.

