

NORFOLK MANUAL SHOWER VALVE



PRODUCT INFORMATION

NOR602CR

Manual Shower Valve

MATERIAL

Brass

COLOUR/FINISH

Chrome

APPROVALS

This product should be fitted in accordance with relevant Water Byelaw Regulations

FIXING

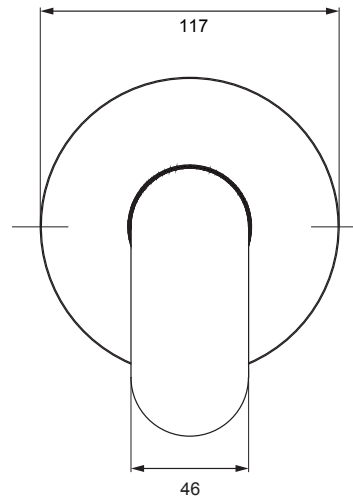
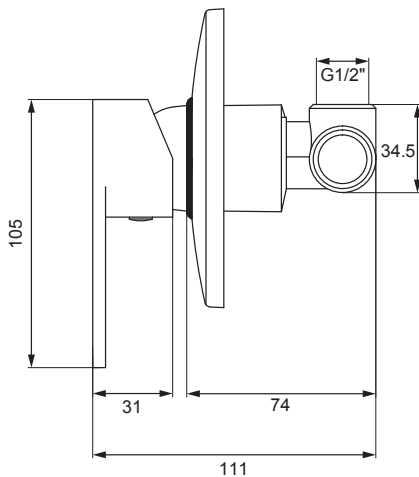
Supplied

ADDITIONAL INFORMATION

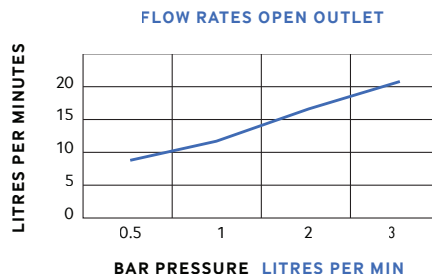
For additional support, please contact us:

t +353 1 817 9755

e customersupport@sonasbathrooms.com



BAR	LITRES PER MIN
0.5	9.1
1	12.3
2	17
3	20.7



WARRANTY

- **5 year warranty** on taps applies to chrome finish and main body of products. All surfaces must be cleaned with warm soapy water and dried with soft cloths only. The use of abrasive cleaners or materials will render warranty invalid. Flexible tail connections, hoses, handsets and faucets are covered by a 2 year guarantee.
- **Do not over tighten** flexible tail connections as this may result in later failure of the fitting.
- To enable each supply to be individually isolated product should be fitted with individual isolating valves, claims will be dealt with on that basis.
- Suitable access should be provided for in order for products or parts to be replaced under warranty. In the event that *no access* is provided, labour cost claims cannot be upheld.