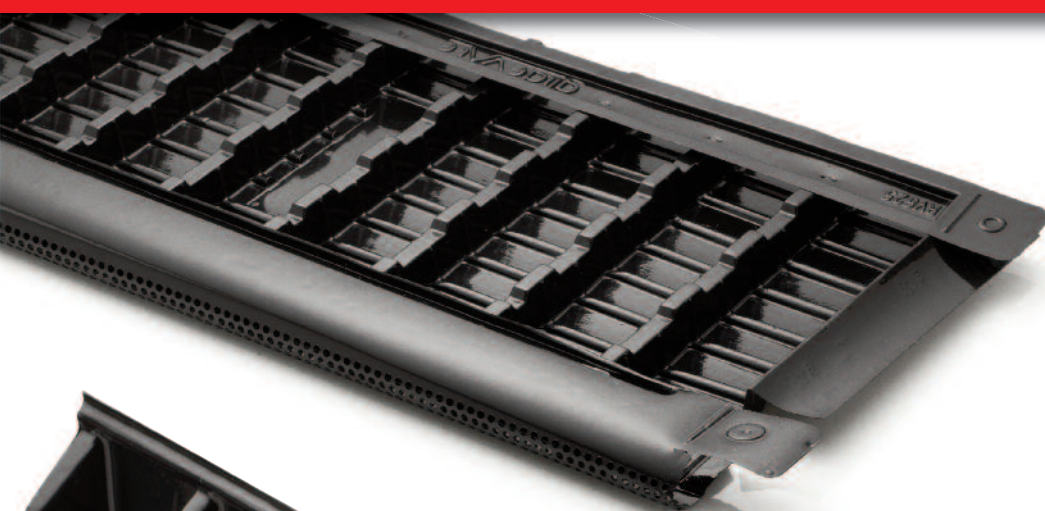




Glidevale eaves ventilation systems have been designed to provide a range of solutions to introduce low level ventilation into roofspaces in an unobtrusive way.

EAVES AND LOW LEVEL VENTILATION SYSTEMS



There are two primary methods of introducing the ventilation at low level either via the soffit in discrete units or continuous systems using the SV soffit range or over the fascia in continuous systems using the FV fascia range. All provide full compliance with BS 5250 Control of Condensation in Buildings, the primary means to comply with Building Regulations in the UK as well as providing driving rain and large insect resistance.

Once inside, it is important that the ventilation air actually reaches all parts of the roofspace to be able to remove high humidity air and reduce the risk of harmful condensation from forming. To ensure this occurs, the RV rafter trays are available in a range of styles to suit numerous applications and are designed to ensure a clear, unobstructed path from SV or FV ventilators to the roofspace.



FV FASCIA VENTILATORS

Description, Applications

FV Fascia Ventilators are an unobtrusive method of providing ventilation in a range of eaves details, including those without a projecting soffit. They must always be used with RV Rafter Ventilators, to provide a continuous ventilation path from the roof void to the outside without impairing the weatherproof function of the structure, as required by BS 5250.

They can also be used in situations where detailing is difficult and tile or slate ventilators are inappropriate, e.g. parapet walls, secret gutters, corbelled eaves and monopitch ridges. FV250 Ventilator can also be used for flat roofs.

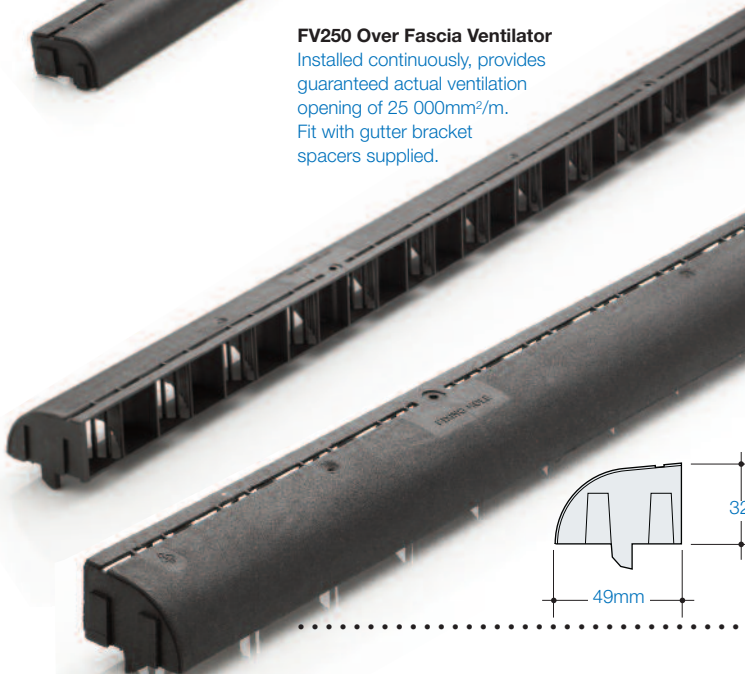
FV100 Over Fascia Ventilator

Installed continuously, provides guaranteed actual ventilation opening of 10 000mm²/m. Fit with gutter bracket spacers (supplied separately) where necessary.



FV250 Over Fascia Ventilator

Installed continuously, provides guaranteed actual ventilation opening of 25 000mm²/m. Fit with gutter bracket spacers supplied.



Advantages

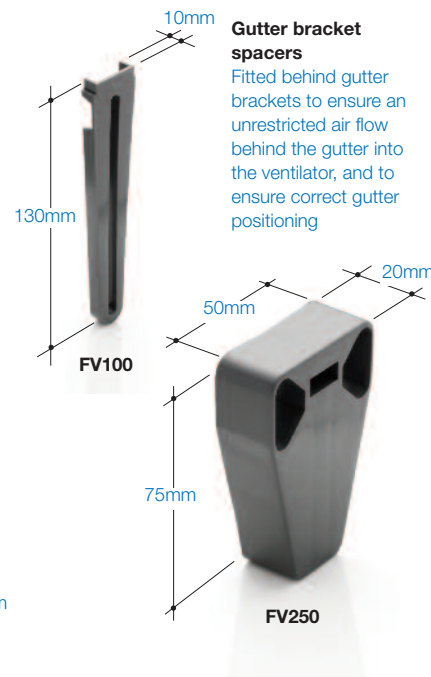
- Internal design provides effective resistance to both driving rain and large insects.
- Unobtrusive when fitted, hidden by gutter and roof covering.
- Can be used to provide ventilation above or below the underlay
- Patented gutter bracket spacers ensure correct airflow behind the gutter.
- Lightweight and durable.
- Quick and easy to install, with no special tools required.
- Compatible with all roof tile clips and eaves comb fillers.
- Modular lengths allow adjustment for fascia board inaccuracies.
- Position on the fascia minimises the risk of fire spread to the roof space.
- Integral dovetail joints ensure positive and continuous interlock between units.
- Do not affect the slating/tiling process.

Authority

Can be used to comply with roof space ventilation requirements of Building Regulations Approved Document C2 and BS 5250.

Composition, Manufacture

Injection moulded black polypropylene. Gutter bracket spacers neutral grey.



Specification clauses

Eaves

Install Glidevale FV100/ FV250 Fascia Ventilators to provide eaves ventilation to the roof space equivalent to _____ mm²/m in accordance with Building Regulations Approved Document C2 2004 amd 2010 & 2013 and BS 5250: 2011. Ventilators to have internal pin arrangement for resistance to driving rain and large insects. Install continuously on the two long edges of the roof/along the edges of the roof as shown on drawings. Fix in accordance with manufacturer's instructions using gutter bracket spacers where necessary to ensure a clear air flow into the ventilator.

Monopitch ridge

Install Glidevale FV100 Ventilators at monopitch ridge to provide ventilation to the roof space equivalent to at least 5000mm²/m in accordance with Building Regulations Approved Document C2 2004 amd 2010 & 2013 and BS 5250: 2011. Fix in accordance with manufacturer's instructions.

Flat roof

Install Glidevale FV250 Ventilators to provide ventilation to the roof space equivalent to 25 000mm²/m in accordance with Building Regulations Approved Document C2 2004 amd 2010 & 2013 and BS 5250: 2011. Install continuously on the two long edges of the roof / along the edges of the roof / at all abutments to walls / as shown on drawings. Fix in accordance with manufacturer's instructions.

SV SOFFIT VENTILATORS

Description, Applications

SV Soffit Ventilators are for installation at eaves with a projecting soffit, and must always be used with RV Rafter Ventilators to provide a continuous ventilation path from the roof void to the outside without impairing the weatherproof function of the structure, as required by BS 5250.

SV120 and SV200 Soffit Ventilators are designed for easy installation in existing soffits, but can also be used in new work.

Advantages

- Can be used with all common soffit board materials.
- Lightweight and durable.
- Quick and easy to install; no special tools required.
- Prevent large insect ingress.
- Independent of rafter spacing.
- Suitable for new roofs and refurbishment.
- Colours to match stained or painted soffit boards.

Authority

Can be used to comply with roof space ventilation requirements of Building Regulations Approved Document C2 and BS 5250.

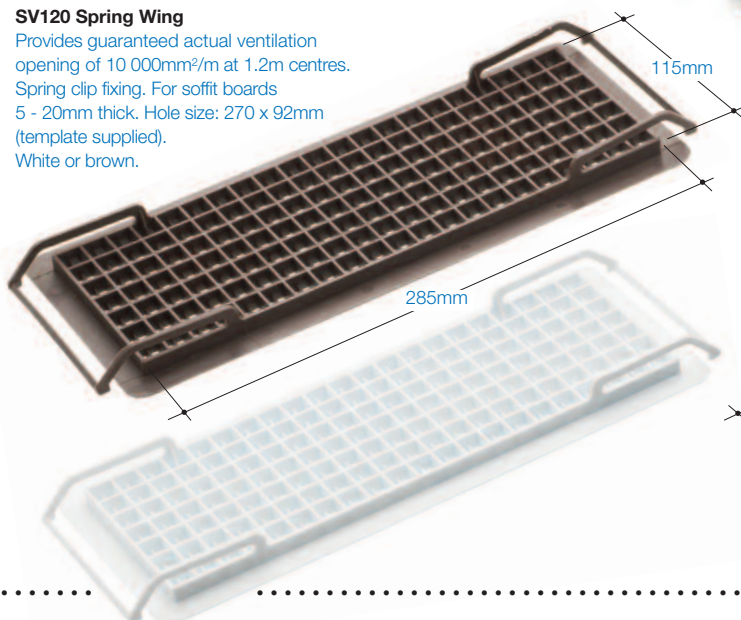
Composition, Manufacture

All soffit strips are extruded PVC-U in 2.44m lengths.

SV120, SV200 and SV604E Joint Connectors are injection-moulded polypropylene.

SV120 Spring Wing

Provides guaranteed actual ventilation opening of 10 000mm²/m at 1.2m centres. Spring clip fixing. For soffit boards 5 - 20mm thick. Hole size: 270 x 92mm (template supplied). White or brown.



SV606

Provides guaranteed actual ventilation opening of 10 000mm²/m. For sloping soffits; can also be used without a soffit board, butted up to brickwork. White or brown.



SV608

Provides guaranteed actual ventilation opening of 25 000mm²/m. For thick section and narrow soffit boards and sloping soffit details. White or brown.



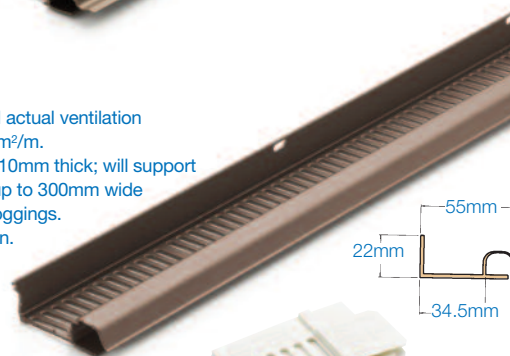
SV609

Provides guaranteed actual ventilation opening of 25 000mm²/m. For soffit boards 6 - 10mm thick. White or brown.



SV604E

Provides guaranteed actual ventilation opening of 10 000mm²/m. For soffit boards 6 - 10mm thick; will support a 6mm soffit board up to 300mm wide without additional noggings. Black, white or brown.



SV604E Expansion Joint Connector

Supplied with SV604E to allow thermal movement at straight joints, internal and external corners. Improves appearance by concealing cut edges, maintains large insect protection, and simply clips into position. Black, white or brown.



Specification clauses

Soffit strips

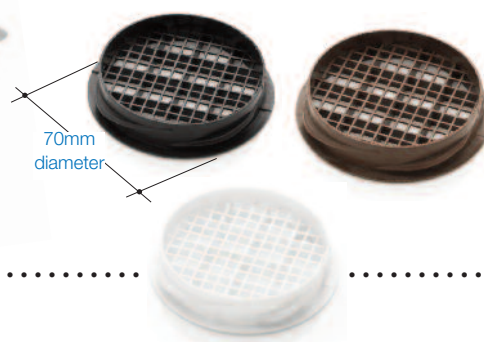
Install Glidevale SV604E/ SV606/ SV608/ SV609 soffit ventilators to provide ventilation to the roof space equivalent to ___mm²/m in accordance with Building Regulations Approved Document C2 2004 and 2010 & 2013 and BS 5250: 2011. Ventilators to be extruded PVC-U and designed to exclude large insects. Colour: black/ white/ brown. Install continuously on the two long edges of the roof / along the edges of the roof as shown on drawings. Fix in accordance with manufacturer's instructions. SV604E only: fit Joint Connectors at every straight joint and every corner.

SV120 and SV200

Install Glidevale SV120/SV200 soffit ventilators at ___mm centres to provide ventilation to the roof space equivalent to ___mm²/m in accordance with Building Regulations Approved Document C2 2004 and 2010 & 2013 and BS 5250: 2011. Ventilators to be moulded polypropylene and designed to exclude large insects. Colour: black/ white/ brown. Install on the two long edges of the roof / along the edges of the roof as shown on drawings. Fix in accordance with manufacturer's instructions.

SV200 Twist and Lock

Provides guaranteed actual ventilation opening of 10 000mm²/m at 200mm centres. Unique twist action fixing. For soffit boards from 6mm thick. Hole size: 70mm diameter. Hole saw and fixing tool available. Black, white or brown.



RV RAFTER VENTILATORS

Design, Applications

RV Rafter Ventilators are designed to ensure a clear air path between roof underlay and insulation at all types of eaves, in accordance with Building Regulations Approved Document C2. They should be installed continuously with FV Fascia Ventilators or SV Soffit Ventilators, to provide a continuous ventilation path from the roof void to the outside without impairing the weatherproof function of the structure, as required by BS 5250.

Advantages

- Do not affect the slating/tiling process.
- Unique cross strengthening ribs on rafter trays prevent the underlay from sagging and blocking the airflow.
- Reduce the risk of cold bridging by enabling insulation to be laid right into eaves.
- Lightweight and durable.
- Quick and easy to install, with no special tools required.
- Suit standard rafter spacings.
- Independent of SV and FV ventilators, enabling use with any depth of soffit.

Authority

Can be used to comply with roof space ventilation requirements of Building Regulations Approved Document C2 and BS 5250.

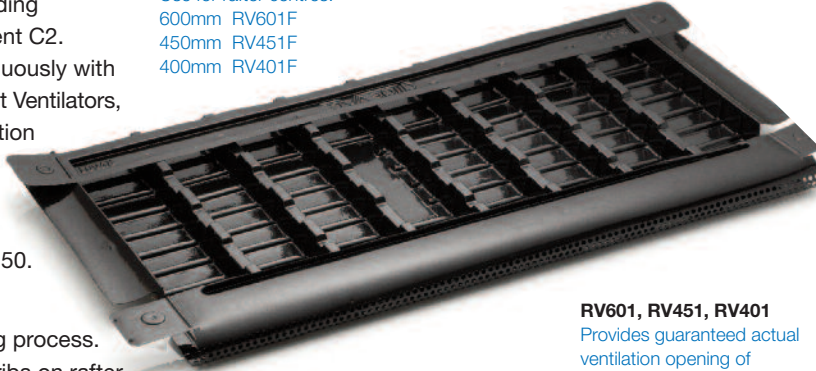
Composition, Manufacture

Vacuum-formed black PVC.

RV601F, RV451F, RV401F

Provides guaranteed actual ventilation opening of 10 000mm²/m. For eaves with an open soffit, integral 4mm insect screen complies with BS 5250: 2011.

Use for rafter centres:
600mm RV601F
450mm RV451F
400mm RV401F



RV601, RV451, RV401

Provides guaranteed actual ventilation opening of 10 000mm²/m.

Use for rafter centres:
600mm RV601
450mm RV451
400mm RV401



RV Roll - RV300, RV450, RV600

Laid continuously over the rafters before the underlay is fixed, provides a maximum 25 000mm² dependent on eaves ventilation inlet provision. Universal, adjusts for 400 - 600mm rafter centres.

Available in 3 widths: 300mm, 450mm and 600mm.



Effective coverage per length for rafter spacing:

600mm 6.0m or 10 rafter voids
450mm 6.0m or 13 rafter voids
400mm 6.0m or 15 rafter voids

Specification clause

Install Glidevale RV ____ rafter ventilators to provide a continuous air path for roof space ventilation between roof insulation and roof underlay at eaves equivalent to ____mm²/m in accordance with Building Regulations Approved Document C2 2004 and 2010 & 2013 and BS 5250: 2011. Ventilators to be vacuum-formed PVC [and to have integral 4mm insect screen]. Install continuously on the two long edges of the roof / along the edges of the roof as shown on drawings. Fix in accordance with manufacturer's instructions.

RV635, RV655

Universal rafter trays which adjust to the correct roof pitch and can be used in new-build, or in refurbishment without disturbing the roof covering. Provides guaranteed actual ventilation opening of 25 000mm²/m at 600mm rafter centres (RV655) or 400mm rafter centres (RV635). RV635 can also be used at 450 - 600mm rafter centres; one per rafter provides not less than 10 000mm²/m.

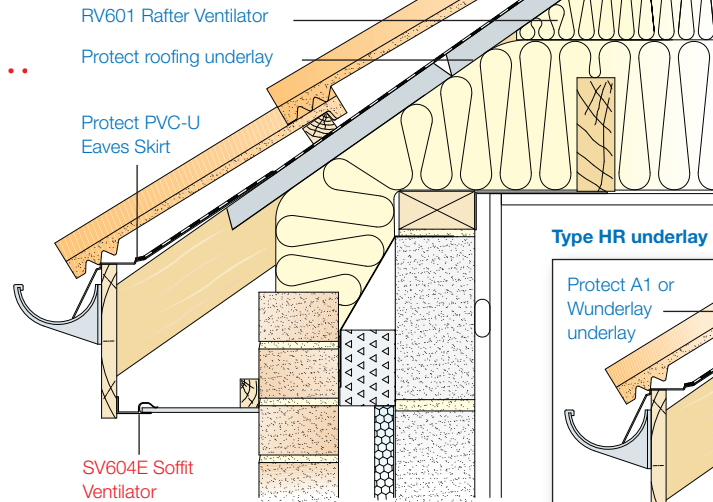
RV625, RV625F (not shown, depth 40mm)

Provides guaranteed actual ventilation opening of 25 000mm²/m at 600/450/400mm rafter centres, and a minimum gap of 25mm in accordance with BS 5250: 2011. Similar to RV601, RV601F. RV625F is for eaves with an open soffit; integral 4mm insect screen complies with BS 5250: 2011. Designed for standard 600mm rafter centres, or can be easily cut to suit closer rafter spacings

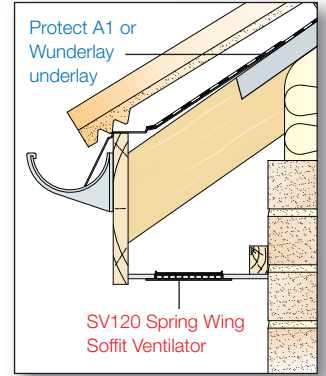


TYPICAL DETAILS

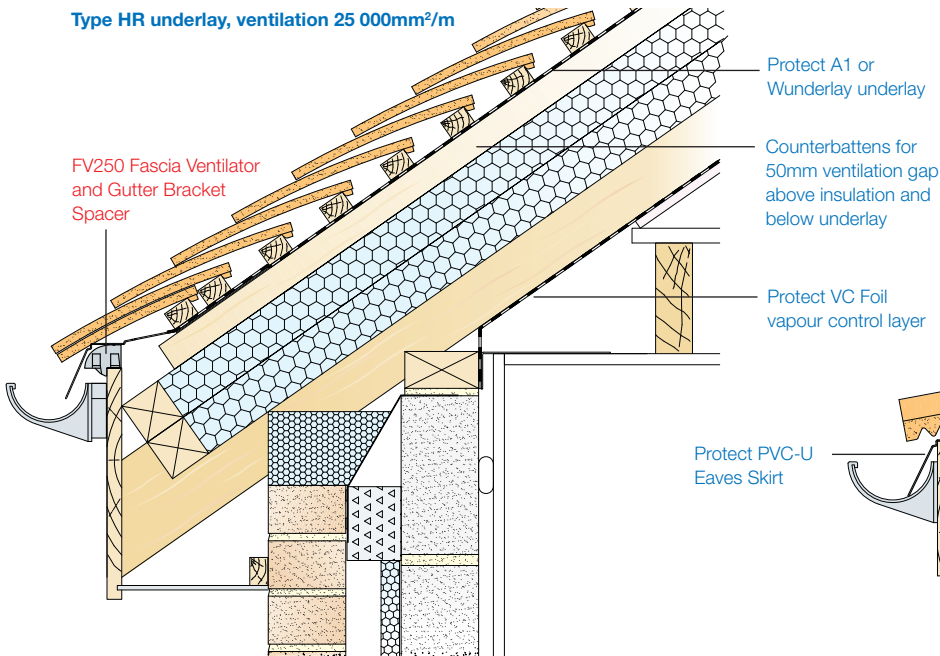
Cold roof with soffit ventilation
Type HR or LR underlay



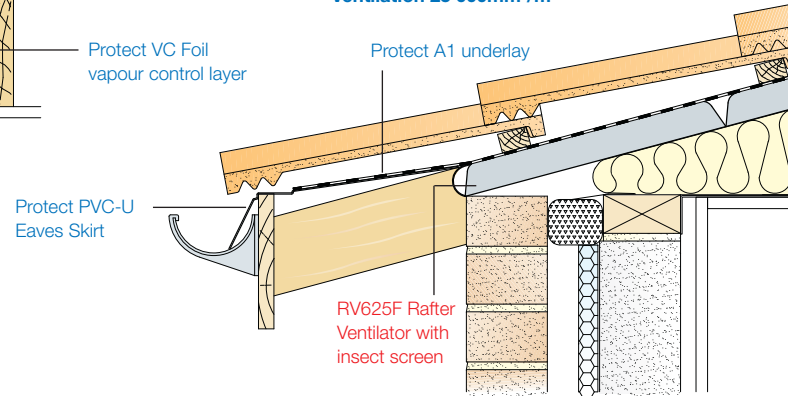
Type HR underlay



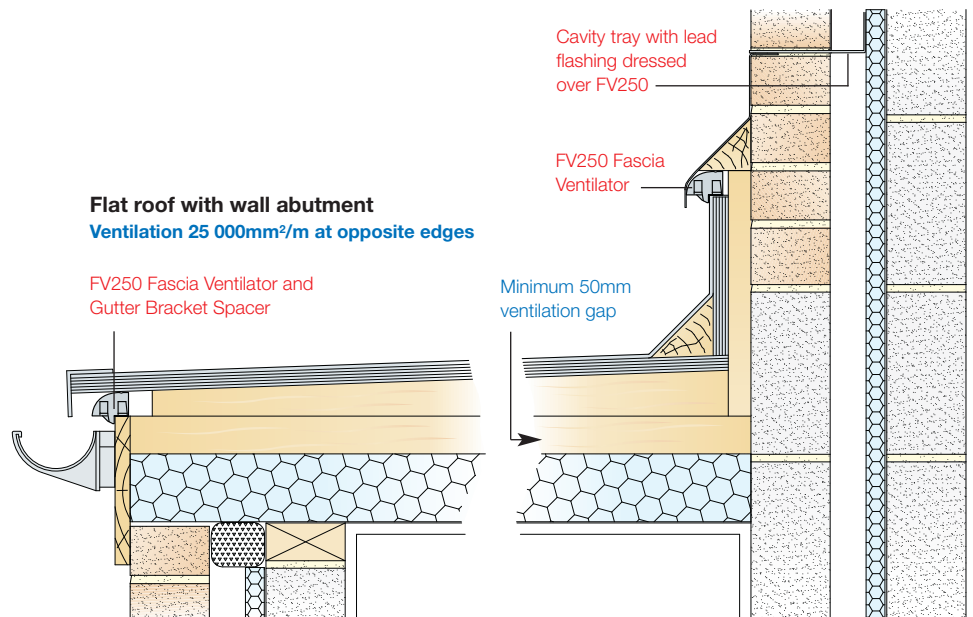
Warm roof with fascia ventilation
Type HR underlay, ventilation 25 000mm²/m



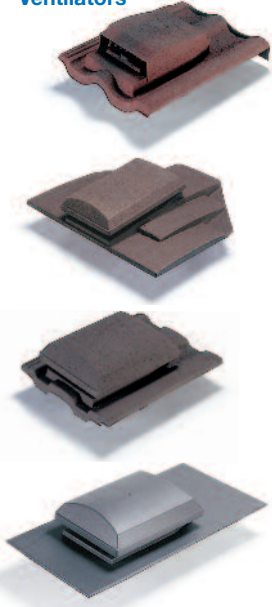
Low-pitch roof with open soffit
Ventilation 25 000mm²/m



Flat roof with wall abutment
Ventilation 25 000mm²/m at opposite edges



G Range Tile and Slate Ventilators



Glidevale's range of eaves ventilation is at the core of an unrivalled capability. Glidevale also offers the widest range of slate, tile and ridge, abutment and valley ventilation solutions to complement the eaves ventilation range for both new build and refurbishment projects. Glidevale is the **'one stop shop'** for roof ventilation solutions.

Other products from Glidevale

Underfloor and cavity wall ventilators.

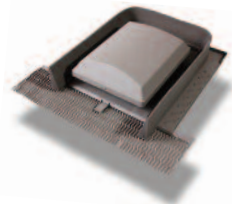
Loft access traps/ladder.

Ground floor gas and damp protection products.

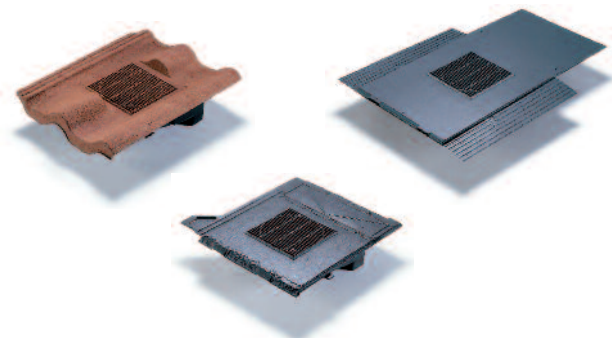
Cavity trays and preformed DPCs.

iPSV® whole-house ventilation system.

Versa-Tile G5 Ventilator



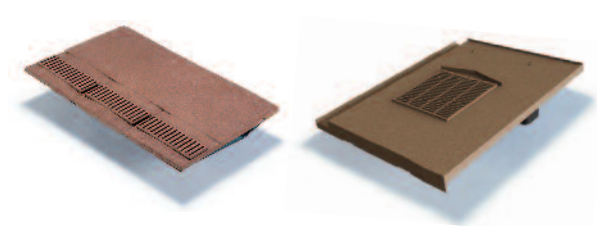
In-line® Tile and Slate Ventilators



In-line Ridge Ventilators



Universal In-line Tile and Slate Ventilators



Images represent a small selection of the product range available from Glidevale.

Stockist's stamp

GLIDEVALE

2 Brooklands Road, Sale, Cheshire M33 3SS

Tel: 0161 905 5700 Fax: 0161 905 2085

Email: info@glidevale.com Web: www.glidevale.com

Glidevale maintains a policy of continuous development and reserves the right to amend product specifications without notice.



A division of Building Product Design Ltd. Company Registration No; 3944123

