



# Sensor

**Mono basin sensor tap with adjustable temperature**

Product Code: SENSOR6/BT

Finish: Chrome

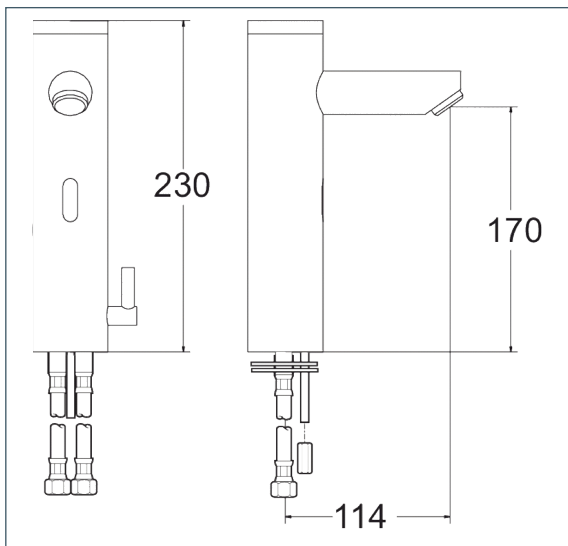
## Features

Construction:	Brass
Valve/Cartridge type:	Electro Valve
Supply:	Suitable for high pressure only
Working Pressures:	0.5 - 5.0 bar
Inlet connections:	1/2" BSP
Flexi or Copper:	Flexi Tails

- Suitable for hot and cold water
- Moisture and water resistant control unit
- Battery operated, requires 4 x AA batteries
- Recommended for use with blending valve
- Products which are easy to use by all the family



\*Please refer to website for full warranty details.



## Flow (Bar - l/min, open outlet)

Spout

Flow 0.1	Flow 0.3	Flow 0.5	Flow 1.0	Flow 2.0	Flow 3.0	Flow 4.0	Flow 5.0
N/A	N/A	5.7	5.7	5.7	5.7	5.7	5.7



1412970

