



TRADITIONAL SLIDE RAIL KIT



DOMESTIC



HOTEL & LEISURE

PRODUCT INFORMATION

TSR0001

Traditional slide rail kit

SPECIFICATIONS

1.5m hose and handset
Minimum operating pressure
0.2 bar

MATERIAL COLOUR/FINISH APPROVALS

Brass
Chrome
This product should be fitted in accordance with relevant *Water Byelaw Regulations*

FIXING

Wall mounted using fittings provided (*do not overtighten*)

PRODUCT DIMENSIONS

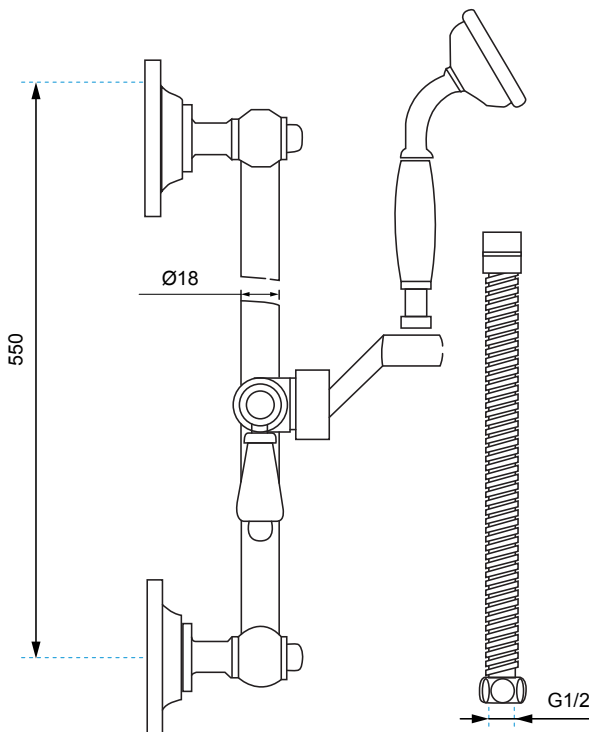
Please refer to technical line drawing

ADDITIONAL INFORMATION

Suitable for the following plumbing systems:
Gravity fed, pumped, unvented or combi systems.

For a full range of brassware products please refer to

www.sonasbathrooms.com



WARRANTY

- **2 year warranty** on showers applies to chrome finish and main body of products. All surfaces must be cleaned with warm soapy water and dried with soft cloths only. The use of abrasive cleaners or materials will render *warranty invalid*.
- **Warranty excludes** perishable items such as thermostatic cartridges, hoses, hand showers and washers, which are covered by a *1 year warranty*.
- Suitable access should be provided for in order for products or parts to be replaced under warranty. In the event that *no access* is provided, labour cost claims *cannot* be upheld.