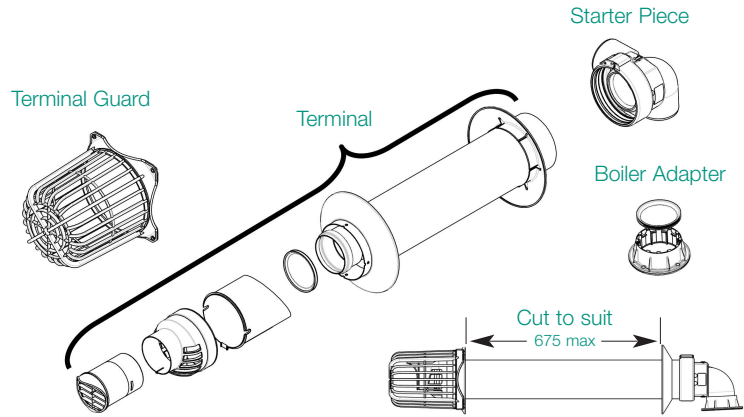


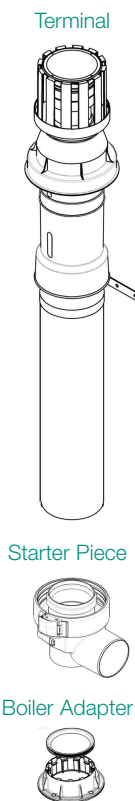


HE plastic flue systems

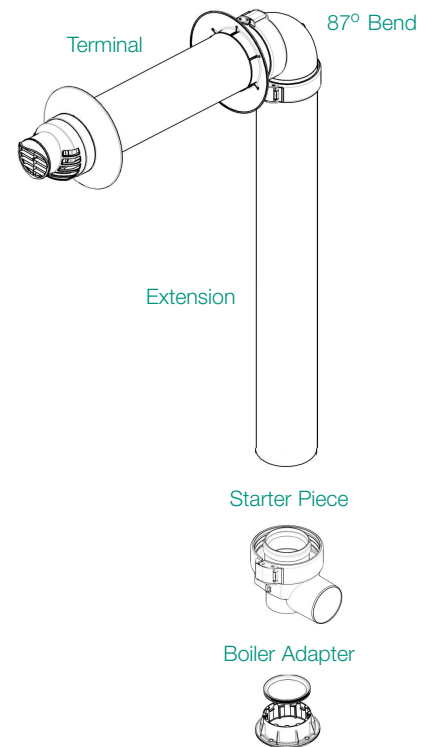
horizontal flue kit (FBF)



vertical flue kit (VBF)



high-level flue kit (HBF)



The 'Easy-fit' plastic flue systems has been specifically designed for use on high efficiency condensing oil-fired boilers. The locking clamp arrangement provides for superior rigidity and security compared with a traditional push-fit arrangement.

all HE flue kits include:

boiler adapter & starter piece

end terminal

flue fittings kit

flue thermostat

horizontal kit (FBF) also includes:

terminal guard

high-level kit (HBF) also includes:

1000mm extension

87° bend



Head Office (NI)

Warmflow
Lissue Industrial Estate
Moir Road
Lisburn
BT28 2RF

Tel: 028 9262 1515
Fax: 028 9262 0869
Email: sales@warmflow.co.uk

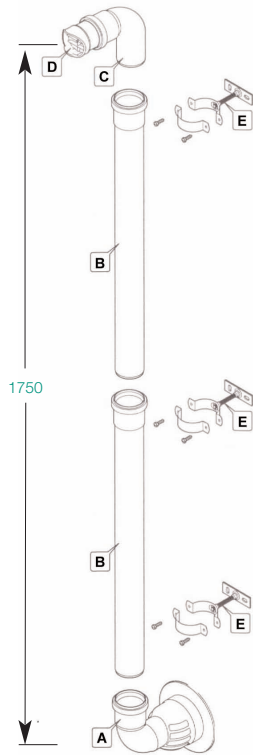
ROI

Tel: 048 9262 1515
Fax: 048 9262 0869
Email: sales@warmflow.co.uk

GB

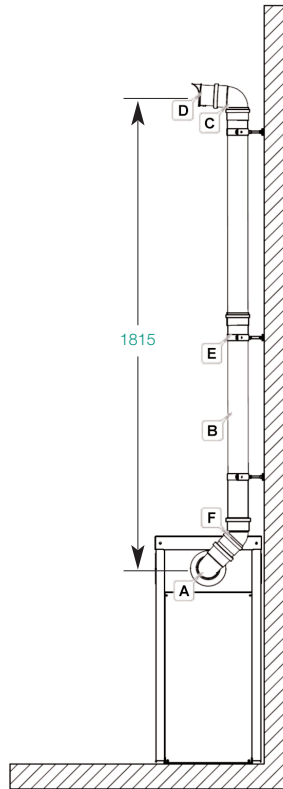
Tel: 01952 607750
Fax: 01952 603983
Email: salesgb@warmflow.co.uk

utility plume management kit (U-PMK)



Note: FBF kit also required

kabin pak plume management kit (K-PMK)



In instances where discharging flue gasses at low level may cause a problem, such as in a small courtyard or passageway, a Plume Management Kit may provide a useful alternative to a traditional low-level flue.

Manufactured in black UV-stabilised polypropylene, the Plume Management Kits are CE-certified and approved to EN 14471, as are all Warmflow HE plastic flues.

The plume management kits comprise:

- A – Diverter elbow
- B – 860mm extension
- C – 87° bend
- D – Terminal insert
- E – Adjustable bracket
- F – 45° bend

HE flue kit accessories

<p>F3 - 1000mm extension pipe</p> <p>Assembled length 940</p>	<p>F4 - 500mm extension pipe</p> <p>Assembled length 440</p>	<p>F7 - 45° bend</p> <p>Effective length = 0.5m</p>	<p>F8 - 87° bend</p> <p>Effective length = 1.0m</p>
<p>F10 - conventional flue adapter</p> <p>Ø 152</p>	<p>F11 - pitched roof flashing</p>	<p>F12 - flat roof flashing</p>	<p>F14 - terminal guard</p>

plume management kit accessories

<p>3457 - 860mm extension</p> <p>Assembled length 810</p>	<p>3458 - 87° bend</p>	<p>3499 - 45° bend</p>	<p>3460 - adjustable bracket</p>
---	------------------------	------------------------	----------------------------------