



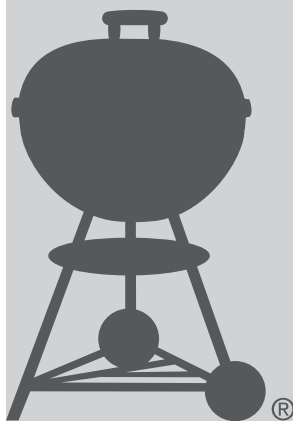
SPIRITTM

OWNER'S GUIDE

E-210TM CLASSIC · E-310TM CLASSIC

LPG

Thank you for purchasing a Weber® grill. Take a few minutes and protect it by registering your product online at www.weber.com.



YOU MUST READ THIS OWNER'S GUIDE BEFORE OPERATING YOUR GAS GRILL.

⚠ DANGER

If you smell gas:

- 1) Shut off gas to the appliance.**
- 2) Extinguish any open flames.**
- 3) Open lid.**
- 4) If odour continues, keep away from the appliance and immediately call your gas supplier or your fire service.**

Leaking gas may cause a fire or explosion which can cause serious bodily injury, death, or damage to property.

⚠ WARNING

- 1) Do not store or use petrol or other flammable liquids or vapours in the vicinity of this or any other appliance.**
- 2) A gas supply cylinder not connected for use shall not be stored in the vicinity of this or any other appliance.**

⚠ WARNING: Carefully follow all leak-check procedures in this Owner's Guide prior to grill operation. Do this even if the grill was dealer-assembled.

⚠ WARNING: Do not ignite this appliance without first reading the BURNER IGNITION sections of this Owner's Guide.

OUTDOOR USE ONLY.

NOTICE TO INSTALLER: These instructions must be left with the owner, who should keep them for future use.

CE :845CN-0003
ID: 0845

48626

EN - INTERNATIONAL ENGLISH
12/01/16

WARNINGS

⚠ DANGER

Failure to follow the DANGERS, WARNINGS and CAUTIONS contained in this Owner's Guide may result in serious bodily injury or death, or may result in a fire or an explosion causing damage to property.

WARNINGS:

- ⚠ Improper assembly of grill may be dangerous. Please follow the assembly instructions carefully.
- ⚠ Do not use this grill unless all parts are in place. The grill must be properly assembled according to the assembly instructions.
- ⚠ Your Weber® gas grill should never be used by children. Accessible parts of the grill may be very hot. Keep young children, elderly and pets away while grill is in use.
- ⚠ Exercise caution when using your Weber® gas grill. It will be hot during cooking or cleaning, and should never be left unattended, or moved while in operation.
- ⚠ Do not use charcoal, briquettes or lava rock in your Weber® gas grill.
- ⚠ While igniting the grill or cooking, never lean over open grill.
- ⚠ Never place hands or fingers on the front edge of the cookbox when the grill is hot or the lid is open.
- ⚠ The entire cookbox gets hot when in use. Do not touch.
- ⚠ Under no circumstances should you attempt to disconnect the gas regulator or any gas fitting while your grill is in operation.
- ⚠ Use heat-resistant barbecue mitts or oven gloves when operating grill.
- ⚠ Follow regulator connection instructions for your type of gas grill.
- ⚠ Should the burners go out while grill is in operation, turn all gas valves off. Open the lid and wait five minutes before attempting to relight grill, using the igniting instructions.
- ⚠ Flammable materials should not be present within approximately 60 cm of the grill. This includes the top, bottom, back or sides of the grill.
- ⚠ Do not build this model of grill in any built-in or slide-in construction. Ignoring this WARNING could cause a fire or an explosion that can damage property and cause serious bodily injury or death.
- ⚠ Do not store an extra (spare) or disconnected gas supply cylinder under or near this grill.
- ⚠ After a period of storage and/or non-use, the Weber® gas grill should be checked for gas leaks and burner obstructions before use. See instructions in this Owner's Guide for correct procedures.
- ⚠ Do not operate your Weber® gas grill if there are any leaking gas connections.
- ⚠ Do not use a flame to check for gas leaks.
- ⚠ Do not put a grill cover or anything flammable on or in the storage area under the grill while grill is in operation or is hot.
- ⚠ Liquefied petroleum gas is not natural gas. The conversion or attempted use of natural gas in a liquefied petroleum gas unit or liquefied petroleum gas in a natural gas unit is dangerous and will void your warranty.
- ⚠ Keep electrical mains lead and the fuel supply hose away from heated surfaces.
- ⚠ Do not enlarge valve orifices or burner ports when cleaning the valves or burners.
- ⚠ The Weber® gas grill should be thoroughly cleaned on a regular basis.
- ⚠ A dented or rusty gas supply cylinder may be hazardous and should be checked by your gas supplier. Do not use a gas supply cylinder with a damaged valve.
- ⚠ Although your gas supply cylinder may appear to be empty, gas may still be present, and the cylinder should be transported and stored accordingly.
- ⚠ Should a grease fire occur, turn off all burners and leave lid closed until fire is out.
- ⚠ Should an uncontrolled flare-up occur, move food away from the flames until flaring subsides.

WARRANTY

Thank you for purchasing a WEBER® product. Weber-Stephen Products LLC, 1415 S. Roselle Road, Palatine, Illinois 60067 ("Weber") prides itself on delivering a safe, durable, and reliable product.

This is Weber's Voluntary Warranty provided to you at no extra charge. It contains the information you will need to have your WEBER® product repaired in the unlikely event of a failure or defect.

Pursuant to applicable laws, the customer has several rights in case the product is defective. Those rights include supplementary performance or replacement, abatement of the purchasing price and compensation. In the European Union, for example, this would be a two-year statutory warranty starting on the date of the handover of the product. These and other statutory rights remain unaffected by this warranty provision. In fact, this warranty grants additional rights to the Owner that are independent from statutory warranty provisions.

WEBER'S VOLUNTARY WARRANTY

Weber warrants, to the purchaser of the WEBER® product (or in the case of a gift or promotional situation, the person for whom it was purchased as a gift or promotional item), that the WEBER® product is free from defects in material and workmanship for the period(s) of time specified below when assembled and operated in accordance with the accompanying Owner's Guide. (Note: If you lose or misplace your WEBER® Owner's Guide, a replacement is available online at www.weber.com, or such country-specific website to which Owner may be redirected.) Under normal, private single family home or apartment use and maintenance, Weber agrees within the framework of this warranty to repair or replace defective parts within the applicable time periods, limitations, and exclusions listed below. TO THE EXTENT ALLOWABLE BY APPLICABLE LAW, THIS WARRANTY IS EXTENDED ONLY TO THE ORIGINAL PURCHASER AND IS NOT TRANSFERABLE TO SUBSEQUENT OWNERS, EXCEPT IN THE CASE OF GIFTS AND PROMOTIONAL ITEMS AS NOTED ABOVE.

OWNER'S RESPONSIBILITIES UNDER THIS WARRANTY

To ensure trouble-free warranty coverage, it is important (but it is not required) that you register your WEBER® product online at www.weber.com, or such country-specific website to which Owner may be redirected. Please also retain your original sales receipt and/or invoice. Registering your WEBER® product confirms your warranty coverage and provides a direct link between you and Weber in case we need to contact you.

The above warranty only applies if the Owner takes reasonable care of the WEBER® product by following all assembly instructions, usage instructions, and preventative maintenance as outlined in the accompanying Owner's Guide, unless the Owner can prove that the defect or failure is independent of non-compliance with the above mentioned obligations. If you live in a coastal area, or have your product located near a pool, maintenance includes regular washing and rinsing of the exterior surfaces as outlined in the accompanying Owner's Guide.

WARRANTY HANDLING / EXCLUSION OF WARRANTY

If you believe that you have a part which is covered by this Warranty, please contact Weber Customer Service using the contact information on our website (www.weber.com, or such country-specific website to which Owner may be redirected). Weber will, upon investigation, repair or replace (at its option) a defective part that is covered by this Warranty. In the event that repair or replacement are not possible, Weber may choose (at its option) to replace the grill in question with a new grill of equal or greater value. Weber may ask you to return parts for inspection, shipping charges to be pre-paid.

This WARRANTY lapses if there are damages, deteriorations, discolourations, and/or rust for which Weber is not responsible caused by:

- Abuse, misuse, alteration, modification, misapplication, vandalism, neglect, improper assembly or installation, and failure to properly perform normal and routine maintenance;
- Insects (such as spiders) and rodents (such as squirrels), including but not limited to damage to burner tubes and/or gas hoses;
- Exposure to salt air and/or chlorine sources such as swimming pools and hot tubs/spas;
- Severe weather conditions such as hail, hurricanes, earthquakes, tsunamis or surges, tornadoes or severe storms.

The use and/or installation of parts on your WEBER® product that are not genuine Weber parts will void this Warranty, and any damages that result hereby are not covered by this Warranty. Any conversion of a gas grill not authorised by Weber and performed by a Weber authorised service technician will void this Warranty.

The grills illustrated in this Owner's Guide may vary slightly from the model purchased.

PRODUCT WARRANTY PERIODS

Cookbox:
10 years, no rust through/burn through
(2 years paint excluding fading or discolouration)

Lid assembly:
10 years, no rust through/burn through
(2 years paint excluding fading or discolouration)

Stainless steel burner tubes:
5 years, no rust through/burn through

Stainless steel cooking grates:
5 years, no rust through/burn through

Stainless steel Flavorizer™ bars:
5 years, no rust through/burn through

Porcelain-enamelled cast iron cooking grates:
5 years, no rust through/burn through

All remaining parts:
2 years

DISCLAIMERS

APART FROM THE WARRANTY AND DISCLAIMERS AS DESCRIBED IN THIS WARRANTY STATEMENT, THERE ARE EXPLICITLY NO FURTHER WARRANTY OR VOLUNTARY DECLARATIONS OF LIABILITY GIVEN HERE WHICH GO BEYOND THE STATUTORY LIABILITY APPLYING TO WEBER. THE PRESENT WARRANTY STATEMENT ALSO DOES NOT LIMIT OR EXCLUDE SITUATIONS OR CLAIMS WHERE WEBER HAS MANDATORY LIABILITY AS PRESCRIBED BY STATUTE.

NO WARRANTIES SHALL APPLY AFTER THE APPLICABLE PERIODS OF THIS WARRANTY. NO OTHER WARRANTIES GIVEN BY ANY PERSON, INCLUDING A DEALER OR RETAILER, WITH RESPECT TO ANY PRODUCT (SUCH AS ANY "EXTENDED WARRANTIES"), SHALL BIND WEBER. THE EXCLUSIVE REMEDY OF THIS WARRANTY IS REPAIR OR REPLACEMENT OF THE PART OR PRODUCT.

IN NO EVENT UNDER THIS VOLUNTARY WARRANTY SHALL RECOVERY OF ANY KIND BE GREATER THAN THE AMOUNT OF THE PURCHASE PRICE OF THE WEBER® PRODUCT SOLD.

YOU ASSUME THE RISK AND LIABILITY FOR LOSS, DAMAGE, OR INJURY TO YOU AND YOUR PROPERTY AND/OR TO OTHERS AND THEIR PROPERTY ARISING OUT OF THE MISUSE OR ABUSE OF THE PRODUCT OR FAILURE TO FOLLOW INSTRUCTIONS PROVIDED BY WEBER IN THE ACCOMPANYING OWNER'S GUIDE.

PARTS AND ACCESSORIES REPLACED UNDER THIS WARRANTY ARE WARRANTED ONLY FOR THE BALANCE OF THE ABOVE MENTIONED ORIGINAL WARRANTY PERIOD(S).

THIS WARRANTY APPLIES TO PRIVATE SINGLE FAMILY HOME OR APARTMENT USE ONLY AND DOES NOT APPLY TO WEBER GRILLS USED IN COMMERCIAL, COMMUNAL OR MULTI-UNIT SETTINGS SUCH AS RESTAURANTS, HOTELS, RESORTS, OR RENTAL PROPERTIES.

WEBER MAY FROM TIME TO TIME CHANGE THE DESIGN OF ITS PRODUCTS. NOTHING CONTAINED IN THIS WARRANTY SHALL BE CONSTRUED AS OBLIGATING WEBER TO INCORPORATE SUCH DESIGN CHANGES INTO PREVIOUSLY MANUFACTURED PRODUCTS, NOR SHALL SUCH CHANGES BE CONSTRUED AS AN ADMISSION THAT PREVIOUS DESIGNS WERE DEFECTIVE.

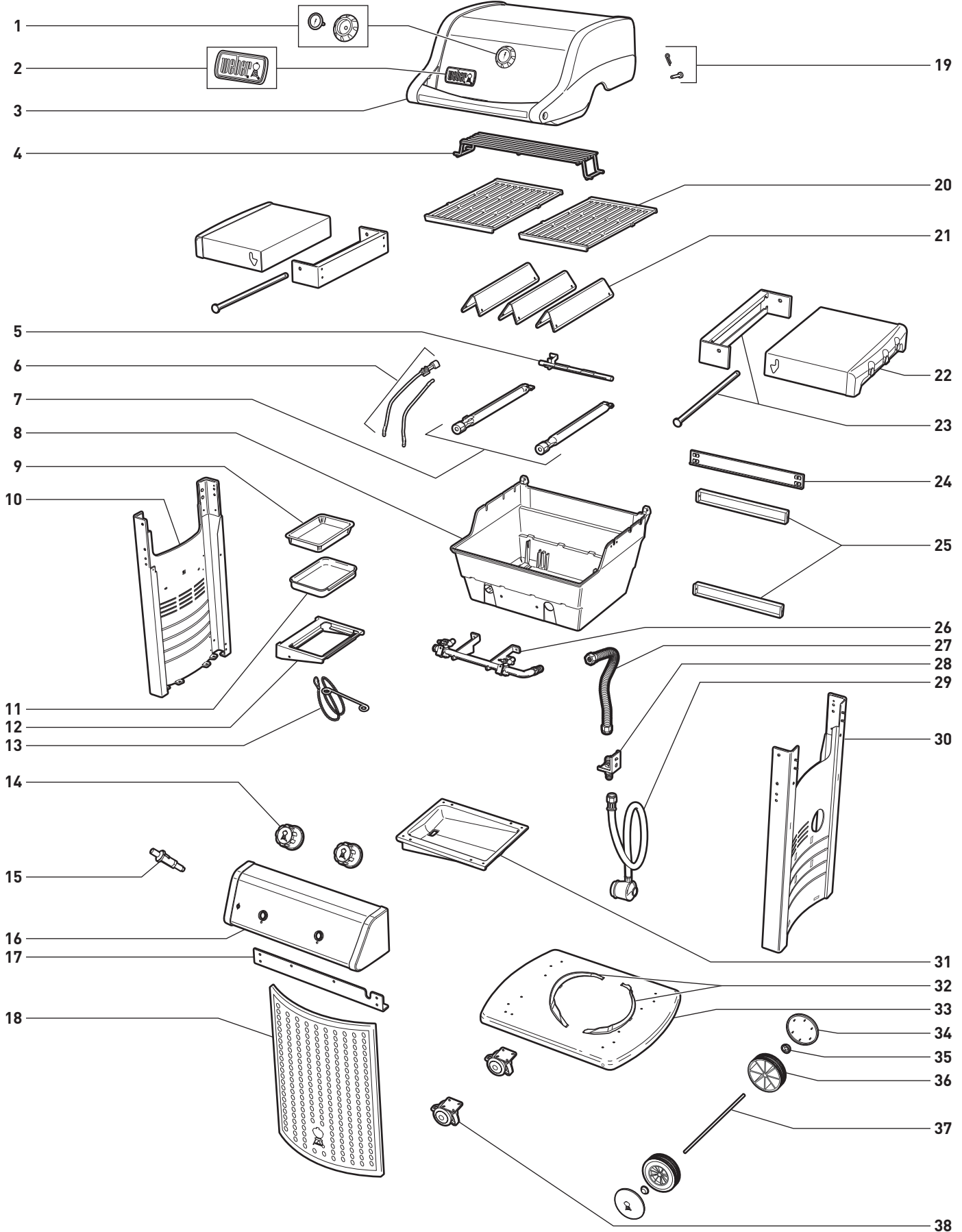
Refer to International Business Units list at the end of this Owner's Guide for additional contact information.

TABLE OF CONTENTS

WARNINGS.....	2
WARRANTY.....	3
TABLE OF CONTENTS.....	3
SPIRIT™ E-210™ CLASSIC EXPLODED VIEW.....	4
SPIRIT™ E-310™ CLASSIC EXPLODED VIEW.....	6
IMPORTANT INFORMATION ABOUT LPG GAS & GAS CONNECTIONS.....	8
WHAT IS LIQUID PROPANE GAS?.....	8
SAFE HANDLING TIPS FOR LIQUID PROPANE GAS CYLINDERS.....	8
STORAGE.....	8
LPG CYLINDER REQUIREMENTS.....	8
REGULATOR CONNECTIONS & REQUIREMENTS.....	8
LPG CYLINDER INSTALLATION	
INSIDE CABINET.....	10
WHERE DOES THE LPG CYLINDER GO?.....	10
INSIDE CABINET REQUIREMENTS.....	10
INSIDE CABINET INSTALLATION.....	11
LPG CYLINDER INSTALLATION	
OUTSIDE CABINET.....	12
OUTSIDE CABINET REQUIREMENTS.....	12
GROUND PLACEMENT INSTALLATION.....	12
CONNECTING THE REGULATOR.....	13
WHAT IS A REGULATOR?.....	13
CONNECTING THE REGULATOR TO THE CYLINDER.....	13
PREPARING TO USE YOUR GRILL.....	14
WHAT IS A LEAK CHECK?.....	14
PARTIAL DISASSEMBLY OF YOUR GRILL FOR A LEAK CHECK.....	14
CHECKING FOR GAS LEAKS.....	15
DISCONNECTING THE REGULATOR.....	17
REFILLING THE LPG CYLINDER.....	17
RECONNECT THE LPG CYLINDER.....	17
GRILLING TIPS & HELPFUL HINTS.....	18
TIPS & HINTS.....	18
PREHEATING.....	18
COVERED COOKING.....	18
FLAVORIZER™ SYSTEM.....	18
DRIPPINGS AND GREASE.....	18
SAFETY CHECKS BEFORE USING YOUR GRILL.....	19
SAFETY FIRST.....	19
SLIDE-OUT GREASE TRAY.....	19
CATCH PAN AND DISPOSABLE DRIP PAN.....	19
HOSE INSPECTION.....	19
MAIN BURNER IGNITION & USAGE.....	20
METHODS OF BURNER IGNITION.....	20
MAIN BURNER IGNITION.....	20
TO EXTINGUISH BURNER.....	20
TROUBLESHOOTING.....	22
GENERAL TROUBLESHOOTING.....	22
ANNUAL MAINTENANCE.....	23
KEEPING YOUR WEBER® GAS GRILL IN TIP-TOP SHAPE.....	23
BURNER FLAME PATTERN.....	23
WEBER® SPIDER/INSECT SCREENS.....	23
BURNER TUBE PORTS.....	23
BURNER TUBE CLEANING OR REPLACEMENT.....	24
STORAGE.....	28
ROUTINE MAINTENANCE.....	29
BEAUTIFUL—INSIDE AND OUT.....	29
CLEANING THE OUTSIDE OF THE GRILL.....	29
CLEANING THE INSIDE OF THE GRILL.....	29
HOSE INSPECTION.....	29
MAINTAINING THE CROSSOVER™ IGNITION SYSTEM.....	30
MEMO.....	31

SPIRIT™ E-210™ CLASSIC EXPLODED VIEW

Spirit E-210_Classic_LPG_EU_090116



SPIRIT™ E-210™ CLASSIC EXPLODED VIEW

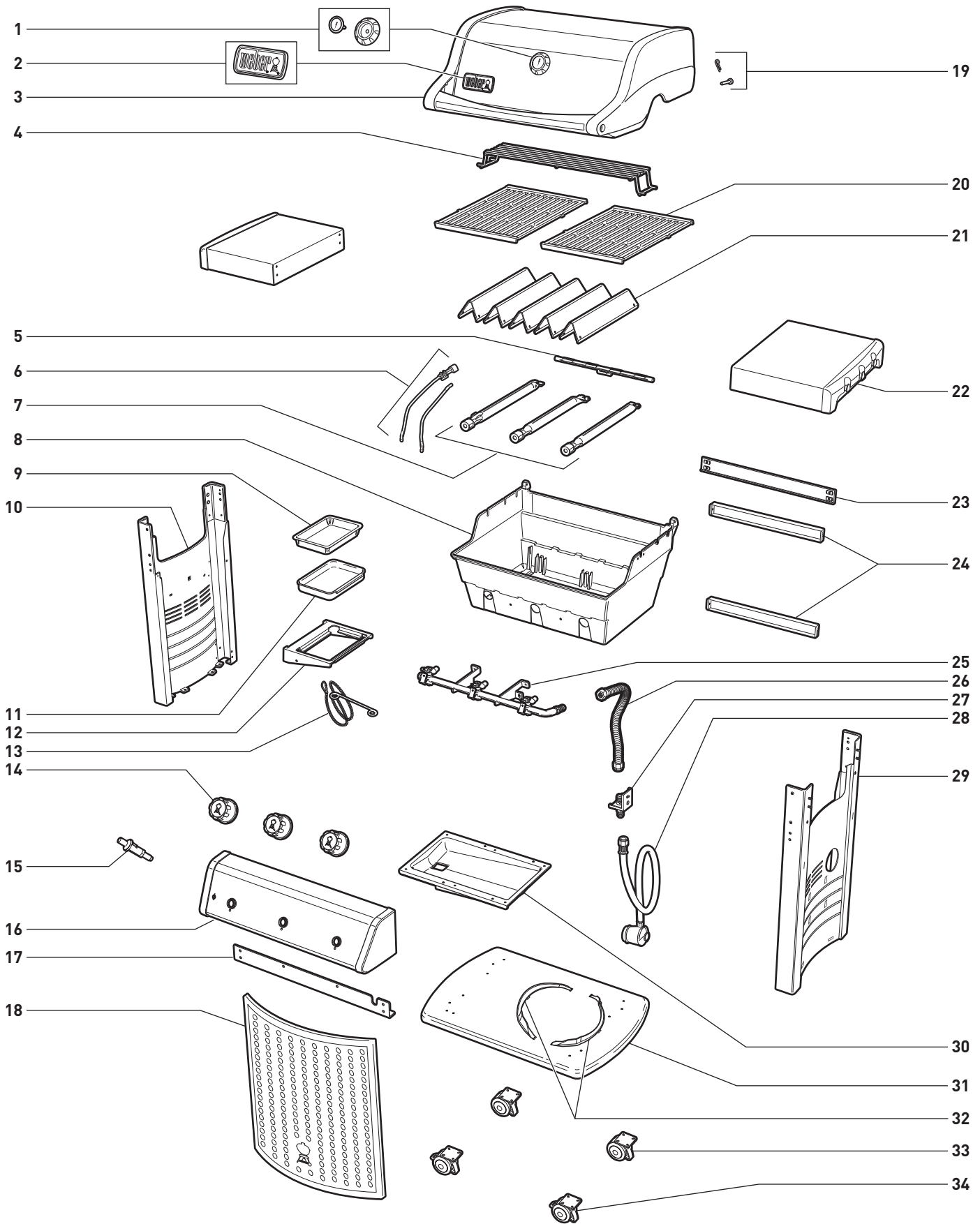
SPIRIT™ E-210™ CLASSIC LPG EXPLODED VIEW LIST

1. Thermometer and Bezel
2. Logo Plate
3. Shroud Assembly
4. Warming Rack
5. Crossover™ Burner Tube
6. Igniter Electrode
7. Burner Tube
8. Cookbox
9. Disposable Drip Pan
10. Left Frame Panel
11. Catch Pan
12. Catch Pan Holder
13. Matchstick Holder
14. Control Knob
15. Igniter
16. Control Panel
17. Front Cross Brace
18. Cabinet Screen
19. Shroud Hardware
20. Cooking Grate*
21. Flavorizer™ Bar
22. Fold-Down Table
23. Fold-Down Assembly
24. Rear Cross Brace
25. Rear Frame Support
26. Manifold
27. Manifold Hose
28. Bulkhead
29. Hose & Regulator
30. Right Frame Panel
31. Slide-Out Grease Tray
32. Cylinder Bracket
33. Bottom Panel
34. Wheel Cover
35. Hub Cap
36. Wheel
37. Axle
38. Locking Caster

*Cooking Grate may vary depending on the model purchased.

SPIRIT™ E-310™ CLASSIC EXPLODED VIEW

Spirit E-310_Classic_LPG_EU_070114



SPIRIT™ E-310™ CLASSIC EXPLODED VIEW

SPIRIT™ E-310™ CLASSIC LPG EXPLODED VIEW LIST

1. Thermometer and Bezel
2. Logo Plate
3. Shroud Assembly
4. Warming Rack
5. Crossover™ Burner Tube
6. Igniter Electrode
7. Burner Tube
8. Cookbox
9. Disposable Drip Pan
10. Left Frame Panel
11. Catch Pan
12. Catch Pan Holder
13. Matchstick Holder
14. Control Knob
15. Igniter
16. Control Panel
17. Front Cross Brace
18. Cabinet Screen
19. Shroud Hardware
20. Cooking Grate*
21. Flavorizer™ Bar
22. Side Table
23. Rear Cross Brace
24. Rear Frame Support
25. Manifold
26. Manifold Hose
27. Bulkhead
28. Hose & Regulator
29. Right Frame Panel
30. Slide-Out Grease Tray
31. Bottom Panel
32. Cylinder Bracket
33. Caster
34. Locking Caster

*Cooking Grate may vary depending on the model purchased.

WHAT IS LP GAS?

Liquefied petroleum gas, also called LPG, LP gas, liquid propane, or simply propane or butane, is the flammable, petroleum-based product used to fuel your grill. It is a gas at moderate temperatures and pressure when it is not contained. But at moderate pressure inside a container, such as a cylinder, LPG is a liquid. As pressure is released from the cylinder, the liquid readily vapourises and becomes LP gas.

- LPG has an odour similar to natural gas. You should be aware of this odour.
- LPG is heavier than air. Leaking LP gas may collect in low areas and resist dispersion.

SAFE HANDLING TIPS FOR LPG CYLINDERS

There are various guidelines and safety factors that you need to keep in mind when using liquefied petroleum gas (LPG). Carefully follow these instructions before using your Weber® gas grill.

- Always close the cylinder valve before disconnecting regulator.
- Do not use a damaged LPG cylinder. A dented or rusty LPG cylinder or an LPG cylinder with a damaged valve may be hazardous and should be replaced with a new cylinder immediately.
- Treat "empty" LPG cylinders with the same care as you treat full cylinders. Even when an LPG cylinder is empty of liquid, there may still be gas pressure inside the cylinder.
- LPG cylinders must be installed, transported, and stored in an upright, secure position. LPG cylinders should not be dropped or handled roughly.
- Never store or transport the LPG cylinder where temperatures can reach 51° C (the cylinder will become too hot to hold by hand). For example: do not leave the LPG cylinder in a car on a hot day.
- Leak-test the joint where the regulator connects to the LPG cylinder each time a reconnection occurs. For example: test each time the LPG cylinder is refilled and reinstalled.
- LPG cylinders must be kept out of reach of children.
- Do not connect to natural gas supply (city gas). The valves and orifices are designed exclusively for liquid propane gas.
- The areas around the LPG cylinder must be free and clear from debris.
- The LPG cylinder should not be changed in the proximity of an ignition source.

STORAGE

For grills that have been stored for a while, it is important to follow these guidelines:

- The gas must be turned off at the LPG cylinder when the Weber® gas grill is not in use.

⚠ WARNING: Make sure that the LPG cylinder valve is closed when the grill is not in use.

- If storing the Weber® gas grill indoors, first DISCONNECT the gas supply and store the LPG cylinder outdoors in a well-ventilated space.
- Do not store a disconnected LPG cylinder in a building, garage, or any other enclosed area.
- If you do not disconnect the LPG cylinder from the Weber® gas grill, be sure to keep both the grill and the cylinder outdoors in a well-ventilated area.
- Check that the areas under the control panel and the slide-out grease tray are free from debris that might obstruct the flow of combustion or ventilation air.

LPG CYLINDER REQUIREMENTS

- Use only a 3kg-13kg LPG cylinder.

REGULATOR CONNECTIONS & REQUIREMENTS

- In the United Kingdom, this appliance must be fitted with a regulator complying with BS 3016, having a nominal output of 37 millibars. (Supplied with grill.)
- The length of hose must not exceed 1.5 metres.
- Avoid kinking the hose.
- We recommend that you replace the gas hose on your Weber® gas grill every five years. Some countries may have requirements that the gas hose be replaced within less than five years, in which case that country's requirement would take precedence.
- Any parts sealed by the manufacturer must not be altered by the user.
- Any modification of the appliance may be dangerous.
- Only a nationally approved low-pressure hose and regulator must be used.
- Replacement pressure regulators and hose assemblies must be those specified by the outdoor cooking gas appliance manufacturer.
- Be sure the regulator is mounted with the small vent hole pointed downward so that it will not collect water. This vent should be free of dirt, grease, bugs, etc.

IMPORTANT INFORMATION ABOUT LP GAS & GAS CONNECTIONS

COUNTRY	CATEGORY (PRESSURE)
Bulgaria, China, Cyprus, Czech Republic, Denmark, Estonia, Finland, Hungary, Iceland, India, Japan, Korea, Latvia, Lithuania, Malta, Netherlands, Norway, Romania, Singapore, Slovak Republic, Slovenia, Sweden, Turkey	I _{3B/P} (30 mbar or 2.8 kPa)
Belgium, France, Greece, Ireland, Italy, Luxembourg, Portugal, Spain, Switzerland, United Kingdom	I _{3*} (28-30/37 mbar)
Poland	I _{3P} (37 mbar)
Austria, Germany	I _{3B/P} (50 mbar)

SPIRIT™ BURNER VALVE ORIFICE SIZES

	I _{3B/P} (30 mbar or 2.8 kPa)	I _{3*} (28-30/37 mbar)	I _{3P/P} (50 mbar)
MAIN BURNERS			
2 burner models:	0.99 mm	0.97 mm	0.90 mm
3 burner models:	0.90 mm	0.86 mm	0.79 mm
SIDE BURNER			
2 burner models:	0.98 mm	0.90 mm	0.79 mm
3 burner models:	0.98 mm	0.90 mm	0.84 mm
SEAR BURNER			
330 series:	0.76 mm	0.70 mm	0.66 mm

SPIRIT™ CONSUMPTION DATA

	PROPANE kW	BUTANE kW	PROPANE g/h	BUTANE g/h
210 series:	7.8	8.8	558	640
220 series:	11.3	12.9	808	939
310 series:	9.4	10.6	672	771
320 series:	12.9	14.7	939	1070
330 series:	15.1	16.8	1079	1223

REPLACEMENT HOSE, REGULATOR AND VALVE ASSEMBLY

⚠ IMPORTANT NOTICE:

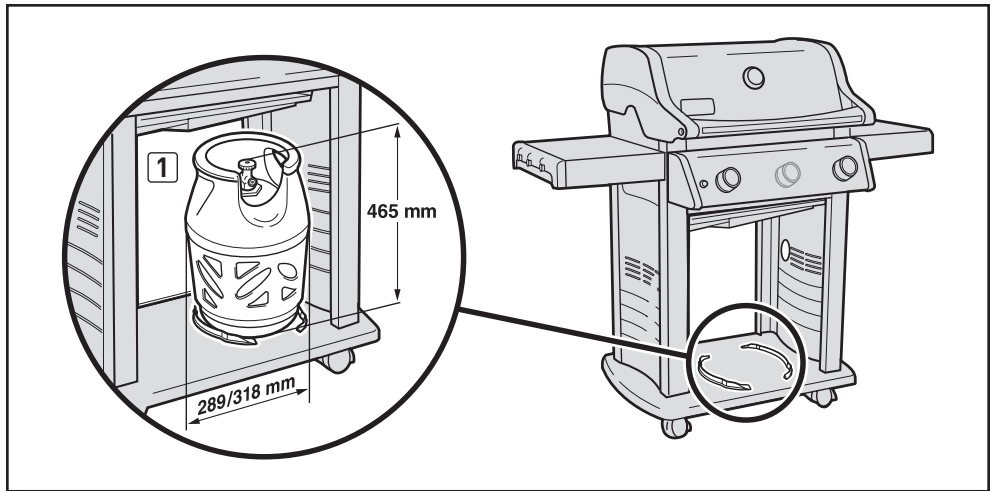
We recommend that you replace the gas hose assembly on your Weber® gas grill every five years. Some countries may have requirements that the gas hose be replaced within less than five years, in which case that country's requirement would take precedence.

For replacement hose, regulator, and valve assemblies, contact the Customer Service Representative in your area using the contact information on our web site. Log on to www.weber.com.

LPG CYLINDER INSTALLATION INSIDE CABINET

WHERE DOES THE LPG CYLINDER GO?

The type and size of cylinder you purchase will determine if the cylinder can be located inside or outside the base cabinet. There are two location options: inside the cabinet within the cylinder brackets, or outside the cabinet on the ground.



INSIDE CABINET REQUIREMENTS

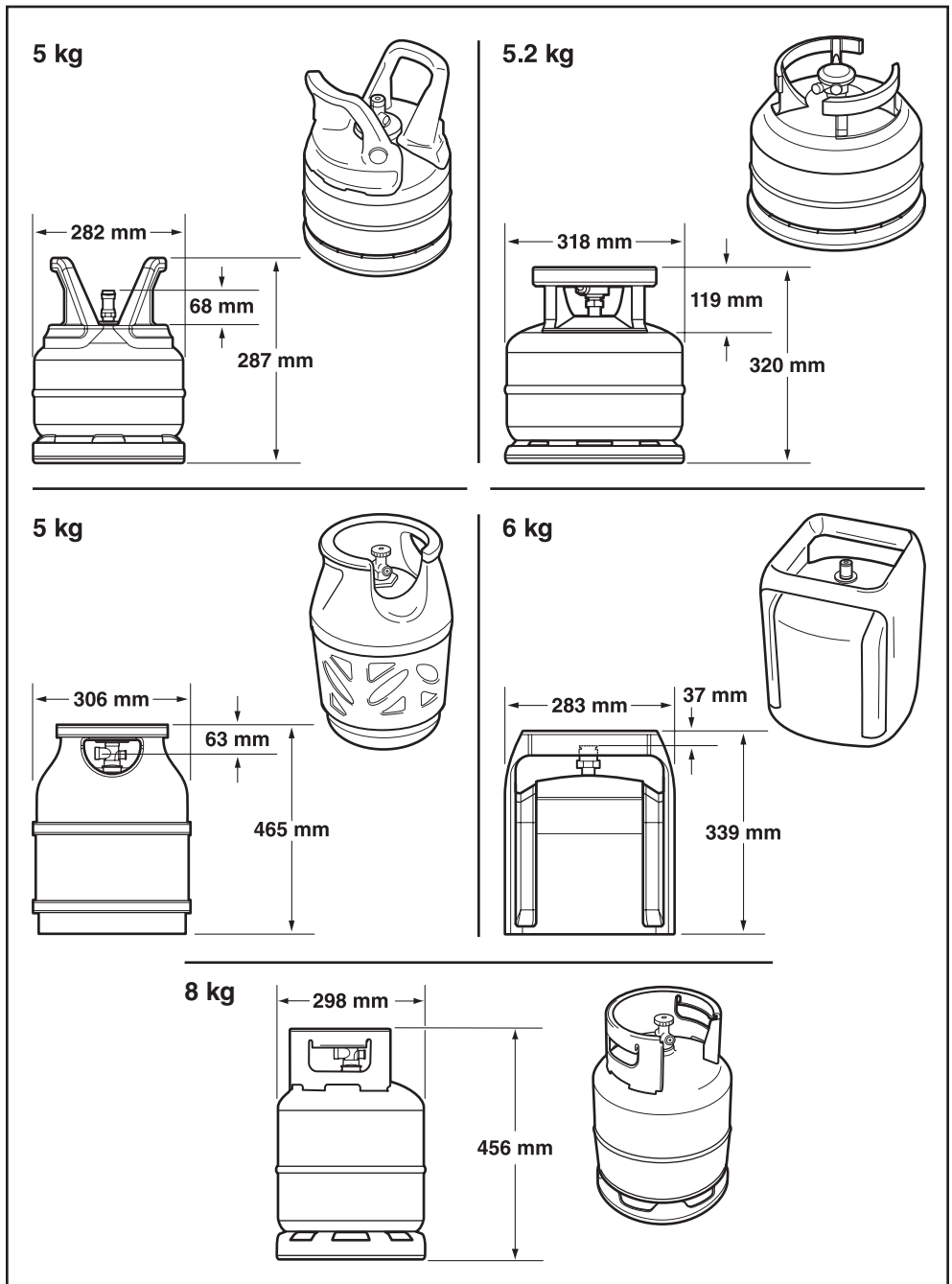
The LPG cylinder can be placed inside the grill cabinet if the cylinder does not exceed the maximum size requirements. The maximum size requirements for cylinders installed inside the cabinet are:

- Cylinder Capacity:** 8 kg maximum
- Cylinder Height:** 465 mm maximum
- Cylinder Width:** 289 mm maximum (rectangular footprint) or 318 mm maximum (round footprint)

Also, the base of the cylinder must fit between the cylinder brackets and rest flat on the bottom panel (1).

⚠ WARNING: If the LPG cylinder does not meet the cylinder size requirements for placing inside the cabinet, do not attempt to place or connect the cylinder inside the cabinet. Place and connect the cylinder outside the cabinet. Failure to do so could cause damage to the hose resulting in a fire or explosion, which can cause serious bodily injury or death, and damage to property.

Several possible cylinder models approved for installation inside the cabinet are illustrated, with dimensions included.



Maximum LPG cylinder capacity INSIDE cabinet is 8 kg.

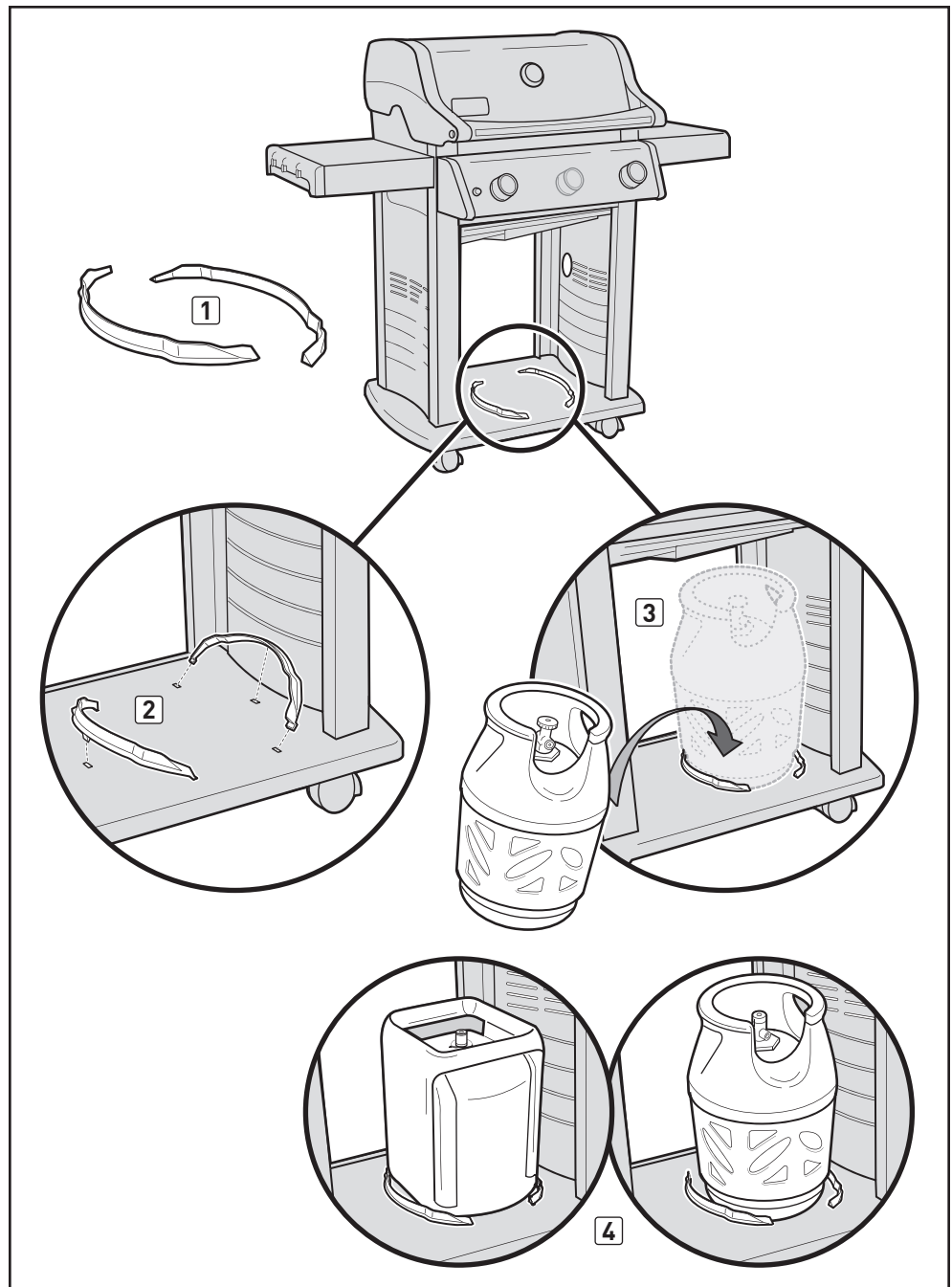
The length of hose must not exceed 1.5 metres.

LPG CYLINDER INSTALLATION INSIDE CABINET

INSIDE CABINET INSTALLATION

You will need: cylinder brackets (1).

- A) Lift and remove cabinet screen. The cylinder brackets snap into the mounting holes in the bottom panel as shown in the illustration (2). Insert cylinder bracket tabs into rectangular slots. Secure brackets in place by pivoting them down to lock centre tab in place.
- B) Lift and place the cylinder between the cylinder brackets (3) on the bottom panel. The base of the cylinder must fit between the cylinder brackets (4).
- C) Turn the cylinder so the valve opening faces the front of the grill.
- D) Connect the regulator to the LPG cylinder. Refer to "CONNECTING THE REGULATOR."
- E) Replace cabinet screen.



LPG CYLINDER INSTALLATION OUTSIDE CABINET

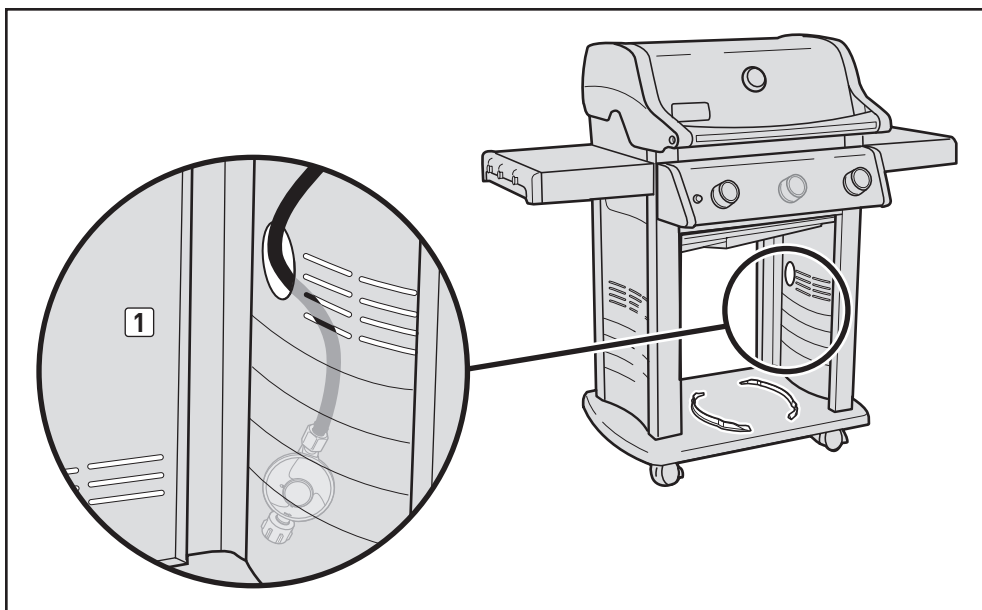
OUTSIDE CABINET REQUIREMENTS

If the cylinder you have does not meet the size requirements for placement inside the cabinet, the cylinder must be placed on the ground outside and to the right of the cabinet. The maximum size requirements for cylinders installed outside the cabinet are:

- Cylinder Capacity:** 13 kg maximum
Cylinder Height: 587 mm maximum
Cylinder Width: 306 mm maximum

GROUND PLACEMENT INSTALLATION

- A) Pass the regulator hose **(1)** out through the side panel opening.
- B) Place the cylinder on the ground, outside the cabinet, on the right side of the grill.
- C) Turn the LPG cylinder so the opening of the valve is facing forward.
- D) Connect the regulator to the LPG cylinder. Refer to "CONNECTING THE REGULATOR."



Maximum LPG cylinder capacity OUTSIDE cabinet is 13 kg.

The length of hose must not exceed 1.5 metres.

WHAT IS A REGULATOR?

Your Weber® gas grill is equipped with a pressure regulator, which is a device to control and maintain uniform gas pressure as gas is released from the LPG cylinder.

CONNECTING THE REGULATOR TO THE LPG CYLINDER

A) Connect regulator to LPG cylinder.

⚠ WARNING: Make sure that the LPG cylinder or regulator valve is closed.

Some regulators push ON to connect and pull OFF to disconnect; others have a nut with a left-hand thread that connects to the cylinder valve. Identify your regulator type and follow one of the connection instructions specific to that regulator.

Connect by Turning Clockwise

Screw regulator onto cylinder by turning fitting clockwise (1). Position the regulator so that the vent hole (2) faces down.

Connect by Turning Anti-Clockwise

Screw regulator onto cylinder by turning fitting anti-clockwise (3) (4).

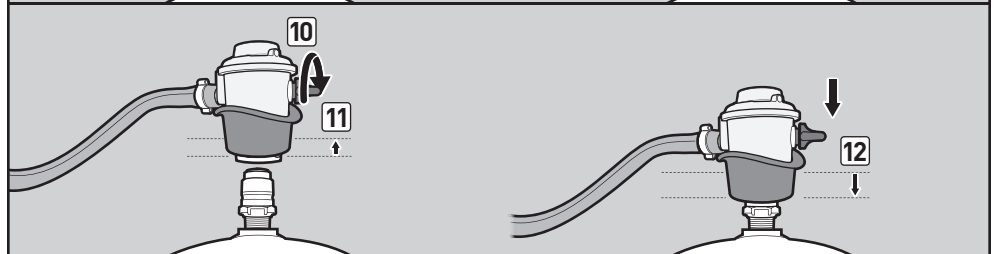
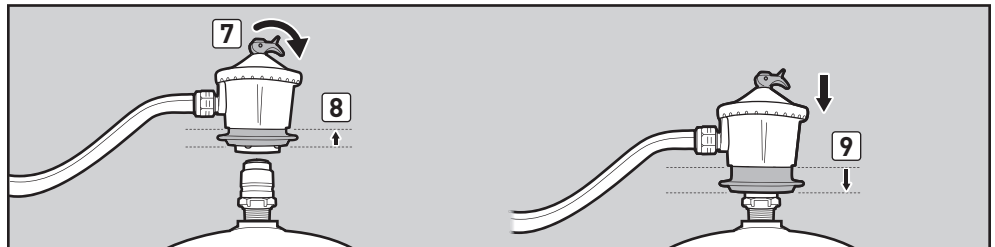
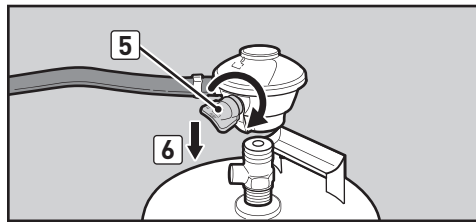
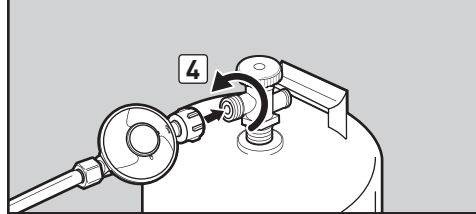
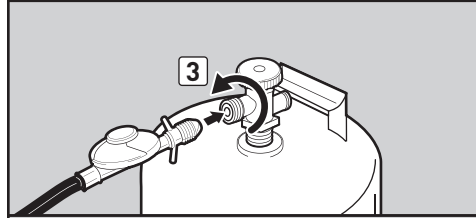
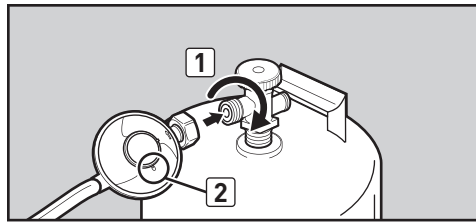
Connect by Turning Lever/Snapping into Position

Turn regulator lever (5) clockwise to the off position. Push regulator down on cylinder valve until regulator snaps into position (6).

Connect by Sliding Collar

Make sure regulator lever is in the off position (7) (10). Slide the collar of the regulator up (8) (11). Push the regulator down onto the cylinder valve and maintain pressure. Slide collar down to close (9) (12). If regulator does not lock, repeat procedure.

Note: The regulator illustrations shown in this manual may not be similar to the regulator you are using for your grill, due to different country or regional regulations.



WHAT IS A LEAK CHECK?

The fuel system in your grill features connections and fittings. A leak check is a reliable way to make sure that no gas is escaping from any of the connections or fittings.

Although all factory-made connections have been thoroughly checked for gas leaks, it's important to perform a leak check before using your grill for the first time, as well as anytime you disconnect and reconnect a fitting and each time you perform routine maintenance.

Safety must be considered when you are deciding where to place and operate your grill. Be sure to read the following warnings before installing or using your grill.

WARNINGS:

- ⚠ This appliance is intended for outdoor use only and should never be used in garages and roofed or enclosed porches or verandas.
- ⚠ Your Weber™ gas grill must never be used under an unprotected combustible roof or overhang.
- ⚠ Your Weber™ gas grill is not intended to be installed in or on caravans and/or boats.
- ⚠ Flammable materials should not be present within approximately 60 cm of the grill. This includes the top, bottom, back or sides of the grill.
- ⚠ Keep the cooking area clear of flammable vapours and liquids such as petrol, alcohol, etc., and combustible materials.
- ⚠ Keep ventilation openings for cylinder enclosure free and clear from debris.
- ⚠ This appliance gets very hot. Take special care when children or elderly people are present.
- ⚠ Do not move the appliance when it is alight.

PARTIAL DISASSEMBLY OF YOUR GRILL FOR A LEAK CHECK

In order to perform the leak check, you need to have access to the gas valves, which will require some simple grill disassembly.

Confirm that Grill is Off

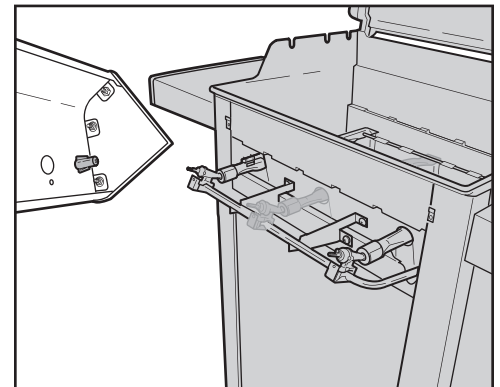
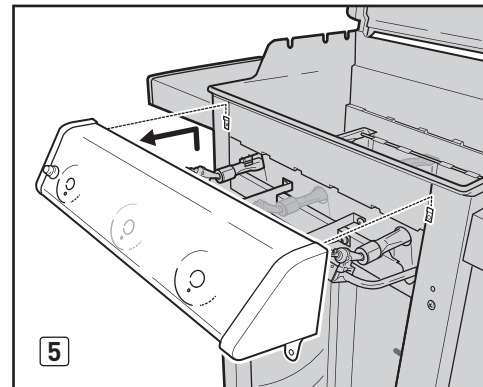
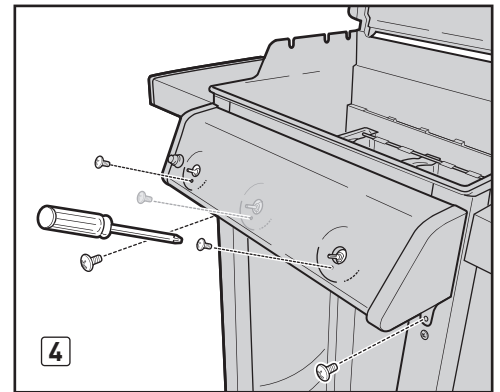
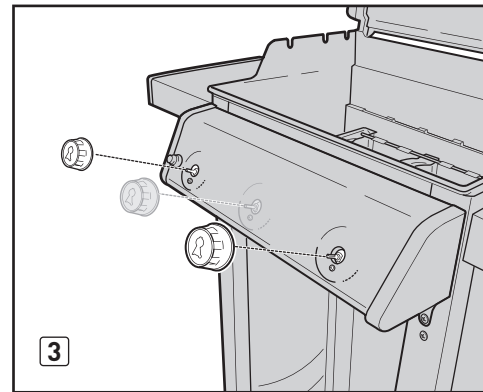
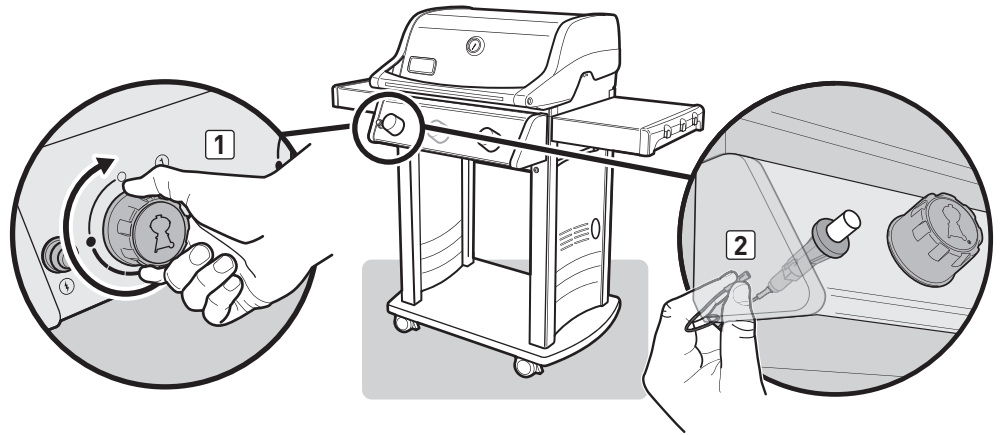
- A) Turn gas supply off at source.
- B) Check that **ALL** burner control knobs are in the off (O) position (1). Control knobs are shipped in the off (O) position, but you should check to be sure that they are turned off. Check by pushing control knobs in and turning them clockwise. If they do not turn, they are off. If they do turn, continue turning them clockwise until they stop; then they are off. If your grill has a side burner, make sure the side burner control knob is turned off.

Remove Control Panel

You will need: A Phillips screwdriver.

- A) Disconnect the wires from the igniter button located on the underside of the control panel (2). *NOTE: Pull from terminals at ends of wires.*
- B) Remove control knobs (3).
- C) Remove the screws from the front of the control panel with a Phillips screwdriver (4).
- D) Carefully lift control panel up and then pull forward away from frame (5).

Your grill is now ready for a leak check. Proceed to "CHECKING FOR GAS LEAKS."



PREPARING TO USE YOUR GRILL

⚠ DANGER

Do not use an open flame to check for gas leaks. Be sure there are no sparks or open flames in the area while you check for leaks. Sparks or open flames will result in a fire or explosion, which can cause serious bodily injury or death and damage to property.

⚠ **WARNING:** The gas connections of your gas grill have been factory-tested. We do, however, recommend that you leak-check all gas connections before operating your gas grill.

⚠ **WARNING:** Perform these leak checks even if your grill was dealer- or store-assembled.

⚠ **WARNING:** You should check for gas leaks every time you disconnect and reconnect a gas fitting.

NOTE: All factory-made connections have been thoroughly checked for gas leaks and the burners have been flame-tested. As a safety precaution, however, you should check all fittings for leaks before using your gas grill. Shipping and handling may loosen or damage a gas fitting.

CHECKING FOR GAS LEAKS

You will need: A spray bottle or brush or rag and a soap-and-water solution. (You can make your own soap-and-water solution by mixing 20% liquid soap with 80% water; or, you can purchase solution in the plumbing section of any hardware store.)

A) Turn gas supply on at source.

⚠ **WARNING: Do not ignite burners when leak-checking**

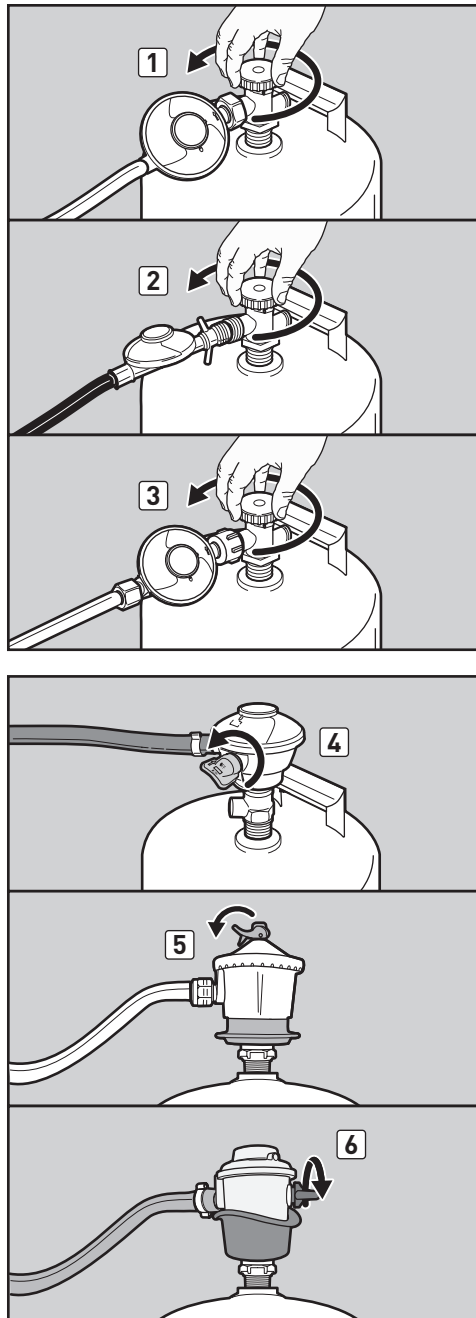
Identify your regulator type. Follow the instructions for that regulator.

Turn Valve

Turn cylinder valve anti-clockwise (1) (2) (3).

Move Lever

Move regulator lever to the on position (4) (5) (6).



PREPARING TO USE YOUR GRILL

CHECKING FOR GAS LEAKS (continued)

B) To check for leaks, wet fittings with the soap-and-water solution, using a spray bottle, brush or rag. If bubbles form, or if a bubble grows, there is a leak. Apply the soap-and-water solution to the following connections:

- a) Regulator hose-to-bulkhead connection **(1)**.
- b) Corrugated manifold hose-to-bulkhead connection **(2)**.
- c) Corrugated manifold hose-to-manifold connection **(3)**.

⚠ WARNING: If there is a leak at connections (1, 2 or 3), turn off the gas, tighten the fitting with a spanner, and recheck for leaks with soap-and-water solution. If a leak persists after tightening the fitting, turn off the gas. DO NOT OPERATE THE GRILL. Contact the Customer Service Representative in your area using the contact information on our web site.

Log onto www.weber.com.

- d) Regulator-to-cylinder connection **(4)**.
- e) Regulator hose-to-regulator connection **(5)**.
- f) Valves-to-manifold connections **(6)**.

⚠ WARNING: If there is a leak at connections (4, 5, or 6), turn off the gas. DO NOT OPERATE THE GRILL. Contact the Customer Service Representative in your area using the contact information on our web site.

Log onto www.weber.com.

C) When leak checking is complete, turn gas supply off at the source and rinse connections with water.

NOTE: Since some leak test solutions, including soap and water, may be slightly corrosive, all connections should be rinsed with water after checking for leaks.

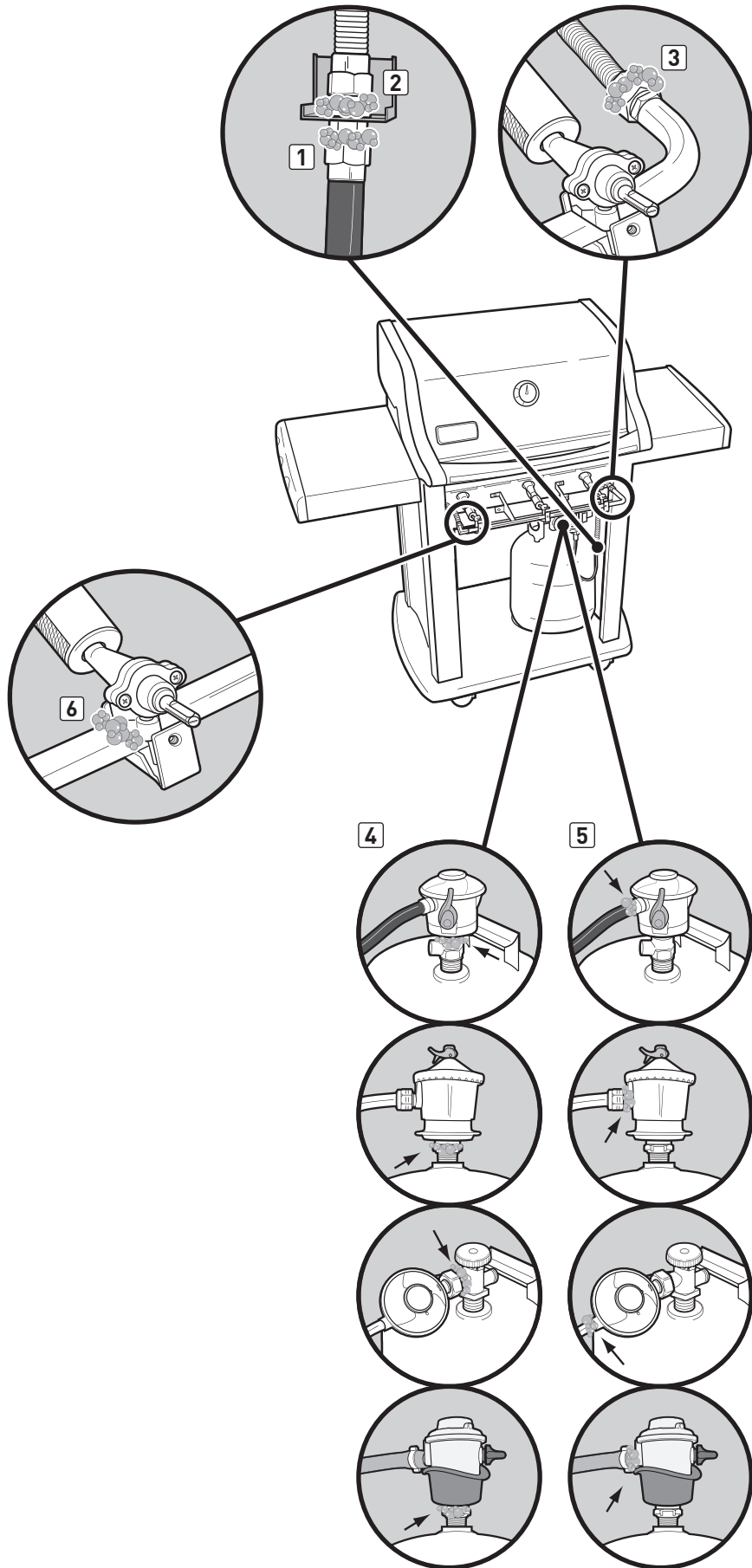
Reinstall Control Panel

You will need: A Phillips screwdriver.

- A) Align valve stems with holes in control panel. Position top edge of control panel on tabs of frame assembly. Push control panel down into position.
- B) Fasten control panel with screws.
- C) Place control knobs onto valve stems.
- D) Connect the wires to the igniter button.

⚠ WARNING: Make sure that all parts are assembled and hardware is fully tightened before operating the grill. Your actions, if you fail to follow this product warning, may cause a fire, an explosion, or structural failure resulting in serious personal injury or death as well as damage to property.

Now you are ready to use your grill.



PREPARING TO USE YOUR GRILL

DISCONNECTING THE REGULATOR FROM THE LPG CYLINDER

A) Remove the LPG cylinder by shutting off the gas supply and disconnecting the hose and regulator assembly from the cylinder.

⚠ WARNING: Make sure that the cylinder or regulator valve is closed.

Identify your regulator type. Follow the disconnection instructions for that regulator.

Disconnect by Turning Anti-Clockwise

Unscrew regulator from cylinder by turning fitting anti-clockwise (1).

Disconnect by Turning Clockwise

Unscrew regulator from cylinder by turning fitting clockwise (2) (3).

Disconnect by Turning Lever

Turn regulator lever clockwise (4) to the off position. Push in on regulator lever (5) until it releases from cylinder (6).

Disconnect by Sliding Collar

Make sure regulator lever is in the off position (7) (9). Slide the collar of the regulator up (8) (10) to disconnect from the cylinder.

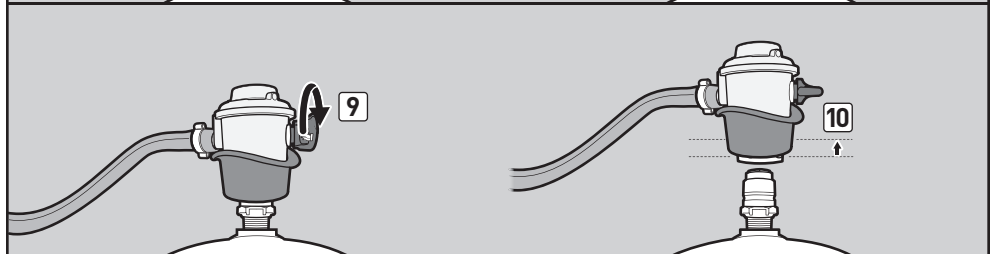
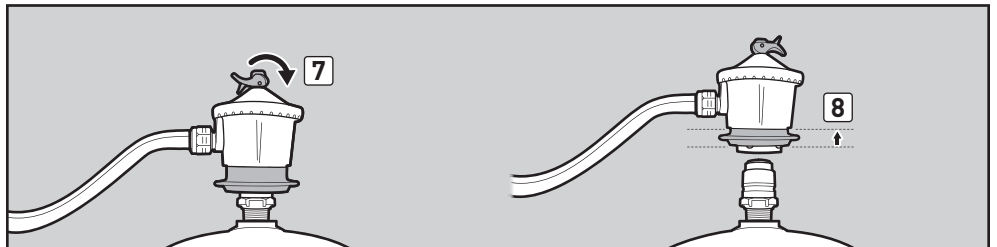
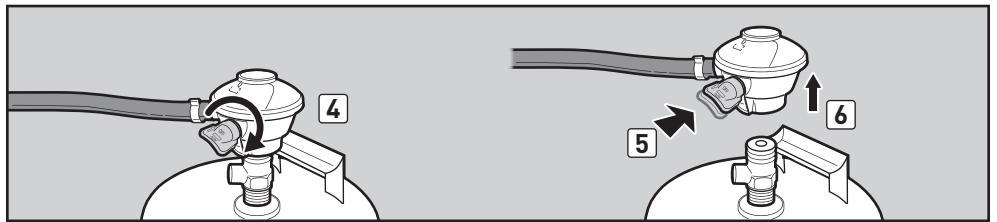
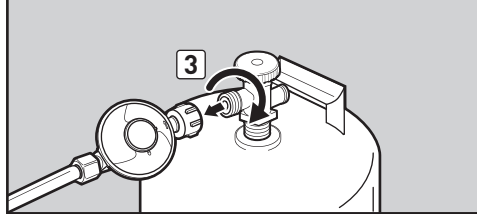
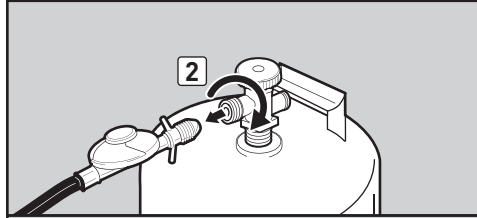
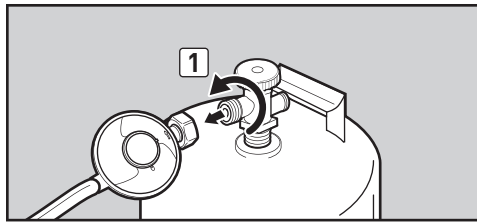
B) Exchange empty cylinder for a full cylinder.

REFILLING THE LPG CYLINDER

We recommend that you refill the LPG cylinder before it is completely empty. To refill, take LPG cylinder to a "Gas Propane" dealer.

RECONNECTING THE LPG CYLINDER

Refer to "CONNECTING THE REGULATOR TO THE LPG CYLINDER."



TIPS & HINTS

- Always preheat the grill before cooking. Set all burners on high heat and close lid; preheat for 10 minutes, or until thermometer registers 500° – 550°F (260° – 290°C).
- The temperature of your gas grill may run hotter than normal for the first few uses.
- Recipe grilling times are based on outside temperatures of 70°F (20°C) and little or no wind. Allow for more cooking time on cold or windy days, or at higher altitudes. Allow for less cooking time in extremely hot weather.
- Grilling conditions may require adjustment of the burner controls to attain the correct cooking temperatures.
- Sear meats and cook with the lid down for perfectly grilled food every time.
- Crowding food onto a cooking grate means more time will be required to cook the food.
- Trim excess fat from steaks, chops, and roasts, leaving no more than a scant ¼ inch (6.4 mm) of fat. Less fat makes cleanup easier, and is a virtual guarantee against unwanted flare-ups.
- In general, large pieces of meat will require more cooking time per pound than small pieces of meat.
- Some foods, such as a casserole or thin fish fillets, will require a container for grilling. Disposable foil pans are very convenient, but any metal pan with ovenproof handles can also be used.
- Foods in containers, such as baked beans, will require more time if grilled in a deep casserole than in a shallow baking pan.
- Foods placed on the cooking grate directly above burners may require turning or moving to a less hot area.
- Use tongs rather than a fork for turning and handling meats to avoid losing natural juices. Use two spatulas for handling large whole fish.
- Always be sure the slide-out grease tray and catch pan are clean and free from debris.
- Do not line the slide-out grease tray with foil. This could prevent the grease from flowing into the catch pan.
- If an unwanted flare-up should occur, turn all burners off and move food to another area of the cooking grate. Any flames will quickly subside. After flames subside, relight the grill. **NEVER USE WATER TO EXTINGUISH FLAMES ON A GAS GRILL.**
- Using a timer will help to alert you when “well done” is about to become “overdone.”

PREHEATING

Preheating the grill before grilling is important. To preheat: Light your grill according to the instructions in the Owner's Guide; then turn all burners to start/high (H) position, close the lid, and preheat until the temperature reaches between 500° and 550°F (260° and 290°C), the recommended broiling temperature. This will take 10 to 15 minutes depending on conditions such as air temperature and wind. After preheating, you can adjust the individual burners as desired.

⚠ WARNING: Should the burners go out while grill is in operation, turn all gas valves off. Open the lid and wait five minutes before attempting to relight grill, using the igniting instructions.

COVERED COOKING

All grilling is done with the lid down to provide uniform, evenly circulated heat. With the lid closed, the gas grill cooks much like a convection oven. The thermometer in the lid indicates the cooking temperature inside the grill. All preheating and grilling is done with the lid down. No peeking — heat is lost every time you lift the lid.

FLAVORIZER™ SYSTEM

The closed lid and Flavorizer™ bars produce that “outdoor” flavour in the food. When meat juices drip from the food onto the specially angled Flavorizer™ bars, they create smoke that gives foods an irresistible grilled flavour. Thanks to the unique design of the burners, the Flavorizer™ bars, and the flexible temperature controls, uncontrolled flare-ups are virtually eliminated, because YOU control the flames.

DRIPPINGS AND GREASE

Because of the special design of the Flavorizer™ bars and burners, excess fats are directed down the slide-out grease tray and into the catch pan. Disposable drip pans that fit the catch pan are available.

SAFETY CHECKS BEFORE USING YOUR GRILL

SAFETY FIRST

It's a good idea to get in the habit of performing a few safety checks before grilling.

When you are getting ready to grill, your first thought should always be safety. Set out below are a few safety checks that you should perform each time you grill.

SLIDE-OUT GREASE TRAY

Your grill was built with a grease collection system, which funnels grease away from food and into removable containers.

Check the slide-out grease tray for grease build-up each time you use your grill. Remove excess grease with a plastic scraper (1). Wash the grease tray with a soap-and-water solution and rinse with water.

⚠ CAUTION: Do not line the slide-out grease tray with aluminium foil.

CATCH PAN AND DISPOSABLE DRIP PAN

Grease from the slide-out grease tray funnels into a catch pan. Cleaning the catch pan is just as important as cleaning the slide-out grease tray.

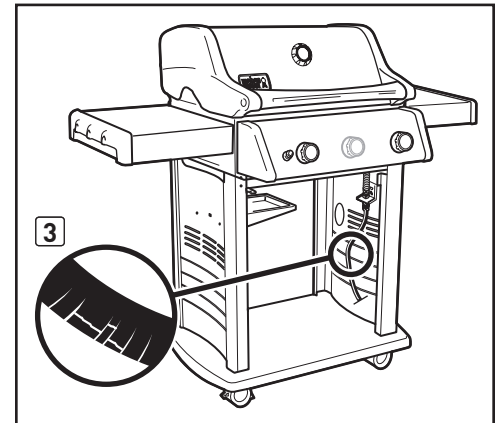
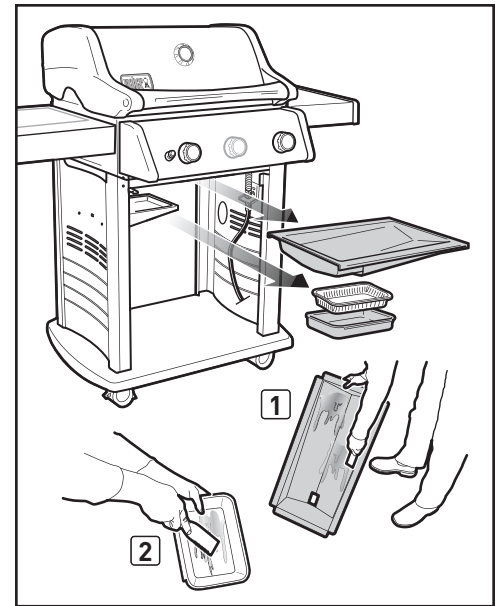
Check the catch pan for grease build-up each time you use your grill. Remove excess grease with a plastic scraper (2). Wash the catch pan with warm, soapy water and rinse with water. To keep the catch pan cleaner longer, you can line it with a Weber™ disposable drip pan or with aluminium foil.

⚠ WARNING: Check the slide-out grease tray and catch pan for grease build-up each time before using. Remove excess grease to avoid a grease fire. A grease fire can cause serious bodily injury or damage to property.

HOSE INSPECTION

The hose should be inspected routinely for any signs of cracking (3).

⚠ WARNING: Check hose each time before using grill for nicks, cracking, abrasions or cuts. If the hose is found to be damaged in any way, do not use the grill. Replace using only Weber™ authorised replacement hose. Contact the Customer Service Representative in your area using the contact information on our web site. Log onto www.weber.com.



METHODS OF BURNER IGNITION

There are two ways to ignite burner 1. The first is by using the Crossover™ ignition system built into your grill. The second is with a match.

Next are the steps for igniting your grill using the Crossover™ ignition system. The following page sets out steps for igniting your grill with a match.

MAIN BURNER IGNITION

Crossover™ Ignition System

The Crossover™ ignition system ignites burner 1 with a spark from the igniter electrode inside the Gas Catcher™ ignition chamber. You generate the energy for the spark by pushing the igniter button. You will hear the igniter click. Burner(s) 2 (and 3) can be lit after burner 1 is lit.

A) Open the grill lid (1).

⚠ DANGER

Failure to open the lid before igniting the grill's burners, or not waiting five minutes to allow the gas to clear if the grill does not light, may result in an explosive flare-up, which can cause serious bodily injury or death.

B) Make sure **ALL** burner control knobs are turned off (2). Check by pushing control knobs in and turning them clockwise until they stop.

⚠ **WARNING: The burner control knobs must be in the off (O) position before you turn on the LPG cylinder valve.**

C) Turn on the cylinder valve using one of the appropriate options based on your cylinder and regulator type. Refer to "A" in "CHECKING FOR GAS LEAKS."

D) Push burner 1 control knob in and turn it anti-clockwise to start/high (⚡) position (3). **IMPORTANT: Always ignite burner 1 first. The other burner(s) ignite from burner 1.**

E) Push in the igniter button several times (4). You will hear the igniter click.

F) Check that burner 1 is lit by looking through the cooking grates. You should see a flame.

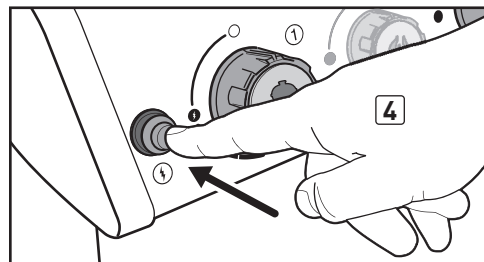
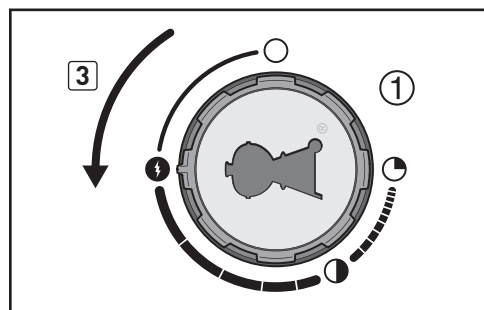
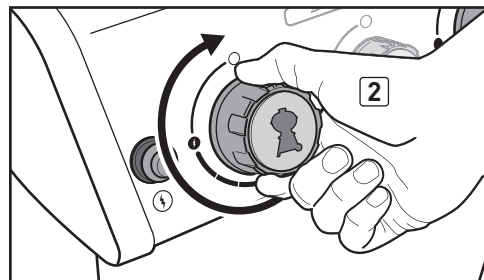
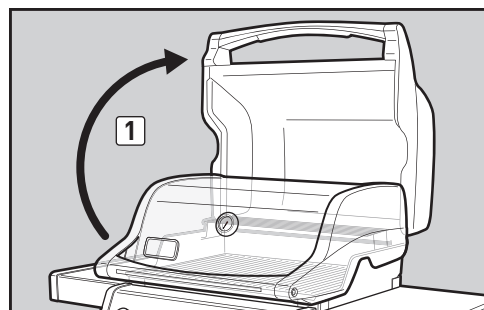
⚠ **WARNING: While igniting the grill or cooking, never lean over open grill.**

⚠ **WARNING: If burner 1 fails to ignite within five seconds, stop, turn the burner control knob to off and wait five minutes to allow the gas to clear before you try again or light with a match.**

G) After burner 1 is lit, you can turn on burner 2 (and burner 3).

TO EXTINGUISH BURNER

Push each burner control knob in and turn it clockwise to the off (O) position. Turn gas supply off at the source.



MAIN BURNER IGNITION & USAGE

Lighting with a Match

A) Open the grill lid (1).

⚠ DANGER

Failure to open the lid before igniting the grill's burners, or not waiting five minutes to allow the gas to clear if the grill does not light, may result in an explosive flare-up, which can cause serious bodily injury or death.

B) Make sure **ALL** burner control knobs are turned off (2). Check by pushing control knobs in and turning them clockwise until they stop.

⚠ WARNING: The burner control knobs must be in the off (O) position before you turn on the LPG cylinder valve.

C) Turn on the cylinder valve using one of the appropriate options based on your cylinder and regulator type. Refer to "A)" in "CHECKING FOR GAS LEAKS."

D) Put match in the matchstick holder and strike match. Insert matchstick holder with lit match down through the cooking grates, past the Flavorizer™ bars and next to burner 1 (3).

E) Push burner 1 control knob in and turn it anti-clockwise to start/high (⚡) position (4).

IMPORTANT: Always ignite burner 1 first. The other burner(s) ignite from burner 1.

F) Check that burner 1 is lit by looking through the cooking grates. You should see a flame.

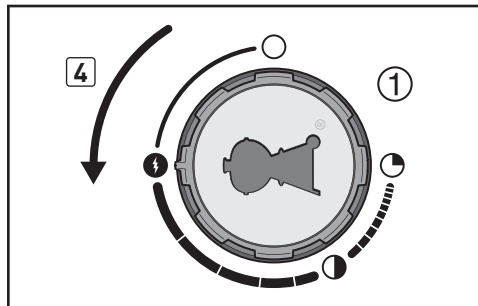
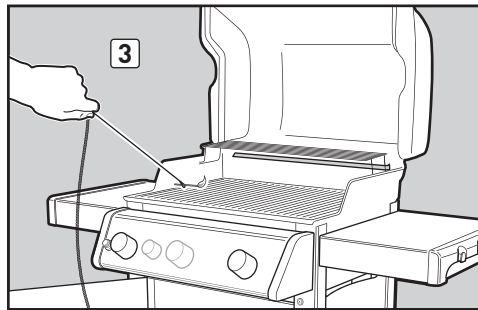
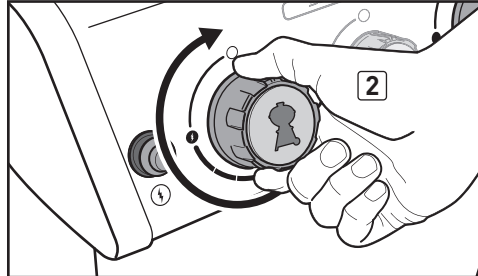
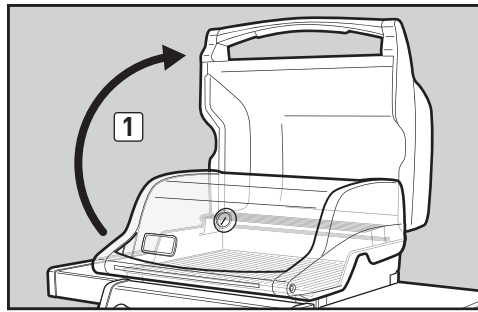
⚠ WARNING: While igniting the grill or cooking, never lean over open grill.

⚠ WARNING: If burner 1 fails to ignite within five seconds, stop, turn the burner control knob to off and wait five minutes to allow the gas to clear before you try again.

G) After burner 1 is lit, you can turn on burner 2 (and burner 3).

TO EXTINGUISH BURNER

Push each burner control knob in and turn it clockwise to the off (O) position. Turn gas supply off at the source.



TROUBLESHOOTING

GENERAL TROUBLESHOOTING

PROBLEMS	SOLUTIONS
<p>Burner does not ignite when you push the igniter button.</p>	<p>Be sure that there is gas flow to the burners by attempting to match-light your burners. Refer to "MAIN BURNER IGNITION—Lighting with a Match." If match-lighting is successful, the problem lies in the ignition system. Refer to "MAINTAINING THE CROSSOVER™ IGNITION SYSTEM."</p> <p>Check that the wires are connected to terminals on igniter under the control panel.</p>
<p>Burners do not ignite.</p> <p>Burners have a small flickering flame when burner control knobs are set to the high (H) position.</p> <p>Grill temperature only reaches 250° to 300° F when set to the high (H) position.</p>	<p><i>Some countries have regulators with an excess gas flow safety device.</i> The excess flow safety device, which is part of the grill-to-cylinder connection, may have been activated. To reset the excess flow safety device, close the LPG cylinder valve and turn all burner control knobs to the off (O) position. Open the grill lid. Wait at least five minutes for the gas to clear before attempting to light the grill. SLOWLY turn the LPG cylinder valve until it is completely open. Wait several seconds; then ignite your grill. Refer to "MAIN BURNER IGNITION & USAGE."</p>
<p>Burner does not ignite, or flame is low when set to high (H) position.</p>	<p>LPG fuel could be low or empty. Refill LPG cylinder.</p> <p>Fuel hose could be bent or kinked. Straighten fuel hose.</p>
<p>Burner flame pattern is erratic.</p> <p>Flame is low when burner is set to high (H) position.</p> <p>Flames do not run the whole length of the burner tube.</p>	<p>Clean burner ports that run down the entire length of burner tube. Refer to "ANNUAL MAINTENANCE."</p>
<p>Burners burn with a yellow or orange flame, combined with the smell of gas.</p>	<p>Inspect spider/insect screens for possible obstructions. (Blockage of holes.) Clean spider/insect screens. Refer to "ANNUAL MAINTENANCE."</p>
<p>Experiencing flare-ups.</p>	<p>Grill must be preheated with all burners on high for 10 to 15 minutes.</p>
<p>⚠ CAUTION: Do not line the slide-out grease tray with aluminium foil.</p>	<p>Clean the cooking grates and Flavorizer™ bars thoroughly to remove grease. Refer to "ROUTINE MAINTENANCE."</p> <p>The slide-out grease tray may be dirty and is not allowing grease to flow into catch pan. Clean slide-out grease tray.</p>
<p>Inside of lid appears to be "peeling." (Resembles paint peeling.)</p>	<p>The inside of the lid is porcelain enamel or stainless steel. It is not painted. It cannot "peel." What you are seeing is baked-on grease that has turned to carbon and is flaking off. THIS IS NOT A DEFECT. Clean thoroughly. Refer to "ROUTINE MAINTENANCE."</p>

If problems cannot be corrected by using these methods, please contact the Customer Service Representative in your area using the contact information on our web site. Log onto www.weber.com.

ANNUAL MAINTENANCE

KEEPING YOUR WEBER™ GAS GRILL IN TIP-TOP SHAPE

⚠ DANGER

Failure to correct any problems described on this page may result in a fire, which can cause serious bodily injury or death, and cause damage to property.

To keep your gas grill performing as safely and efficiently as on day one, we strongly recommend that you inspect and clean the spider/insect screen(s) and burner tube(s) at least once a year. Below is important information about these two areas of the grill that should undergo annual maintenance.

If you observe an incorrect flame pattern or blocked burner port, proceed to the “BURNER TUBE CLEANING OR REPLACEMENT” instructions on the following page.

BURNER FLAME PATTERN

The burner tube(s) in your gas grill was/were factory set for the correct air and gas mixture. The correct flame pattern is shown in illustration and described below:

- Burner tube(s) (1)
- Tips occasionally flicker yellow (2)
- Light blue (3)
- Dark blue (4)

Check burner flame pattern. If the flames do not match the above description, it could be an indication that the spider/insect screen(s) has/have become dirty or blocked.

WEBER™ SPIDER/INSECT SCREEN(S)

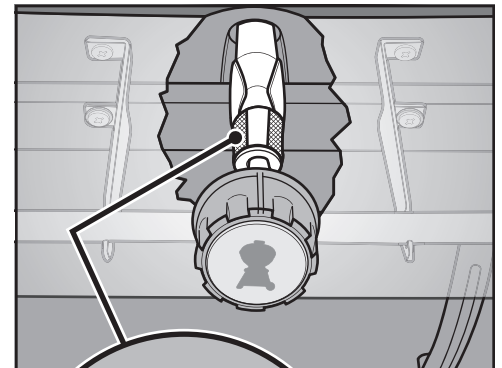
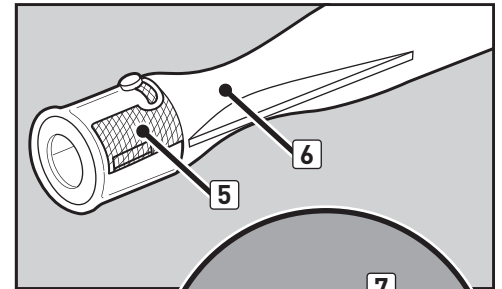
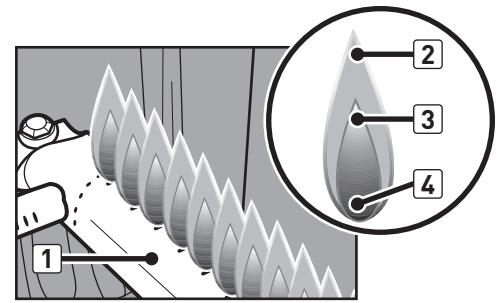
The combustion air opening(s) of the burner tube(s) (5) is/are fitted with stainless steel screen(s) to help prevent spiders and other insects from spinning webs and building nests inside the venturi section (6) of the burner tube(s). These nests can obstruct the normal gas flow, and can cause gas to flow back out of the combustion air opening(s) (7). Symptoms of this kind of obstruction include the odour of gas in conjunction with burner flames that appear yellow and lazy. This obstruction could result in a fire in and around the gas valve(s), causing serious damage to your grill (8).

NOTE: If a spider/insect screen becomes damaged or cannot be cleaned, please contact the Customer Service Representative in your area using the contact information on our web site. Log onto www.weber.com.

BURNER TUBE PORTS

Over time, from repeated use of the grill, the burner tube ports will become dirty. Blocked and dirty ports can restrict full gas flow. Following are ways to determine whether burner tube ports are dirty or blocked.

- Grill does not reach desired temperature
- Grill heats unevenly
- One or more of the burner(s) do not ignite

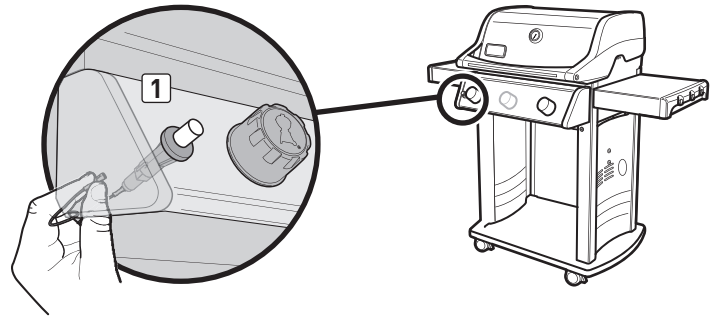


ANNUAL MAINTENANCE

BURNER TUBE CLEANING OR REPLACEMENT

Confirm that Grill is Off

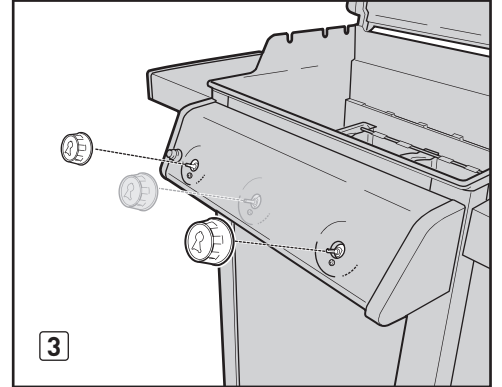
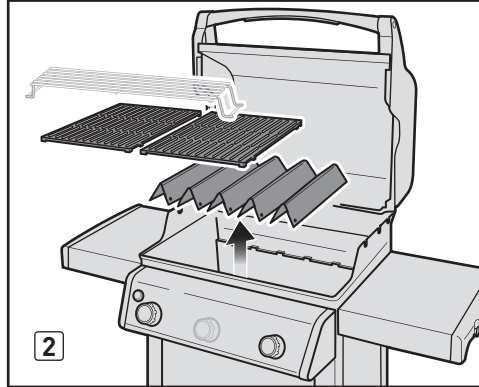
- A) Turn gas supply off at source and disconnect gas fitting.
- B) Check that all burner control knobs are in the off (O) position. Check by pushing control knobs in and turning them clockwise until they stop. If they do not turn, they are already off. If they do turn, continue turning them clockwise until they stop; then they are off.



Remove Control Panel

You will need: A Phillips screwdriver.

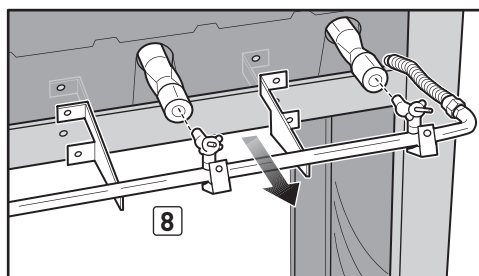
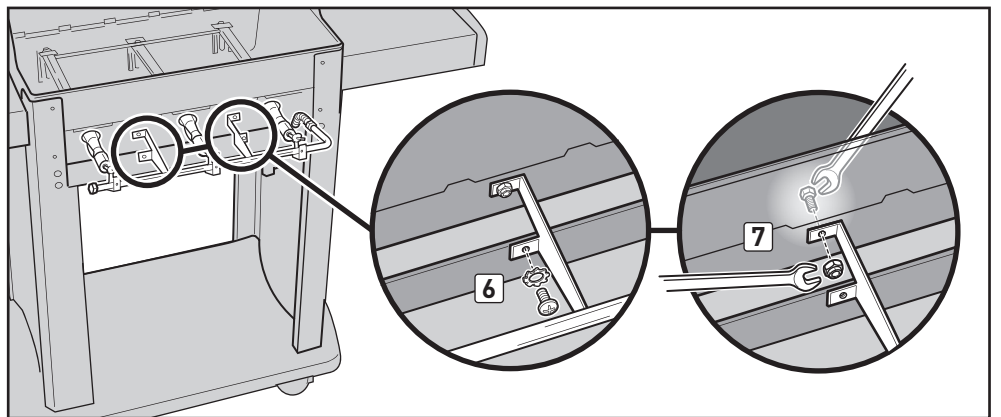
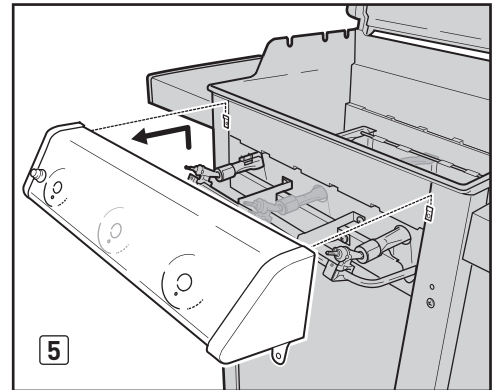
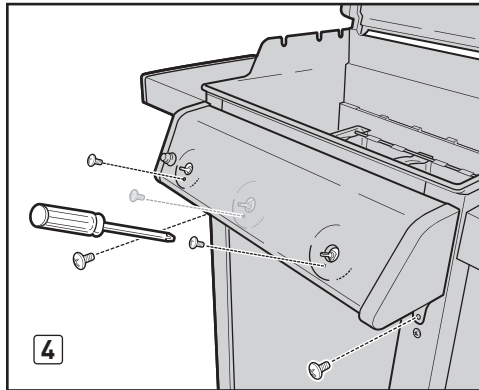
- A) Disconnect the wires from the igniter button located on the underside of the control panel (1). *NOTE: Do not disconnect by pulling on wires; pull from terminals at ends of wires.*
- B) Remove cookbox components (2).
- C) Remove control knobs (3).
- D) Remove screws from the front of the control panel with a Phillips screwdriver (4).
- E) Carefully lift control panel up and then pull forward and away from cookbox (5).



Remove Manifold

You will need: A Phillips screwdriver, two 7/16" spanners.

- A) With the Phillips screwdriver, remove two screws and two washers attaching manifold to front cross brace (6).
- B) Using two 7/16" spanners, remove two bolts and two nuts attaching manifold to cookbox (7). Pull manifold forward and away from burner tubes (8). Manifold will remain attached to corrugated gas line(s). Be careful not to let manifold scratch frame or door or kink the attached corrugated gas line(s).



ANNUAL MAINTENANCE

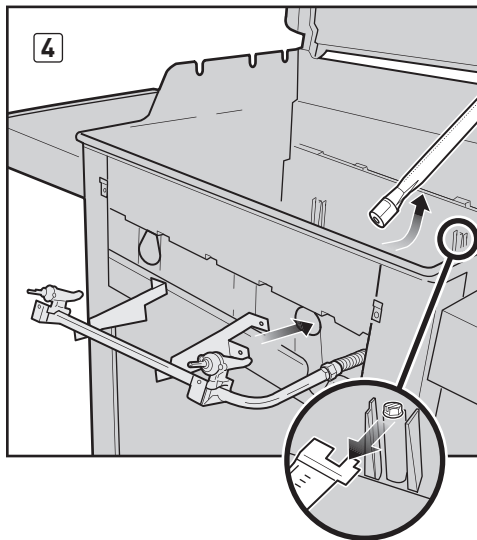
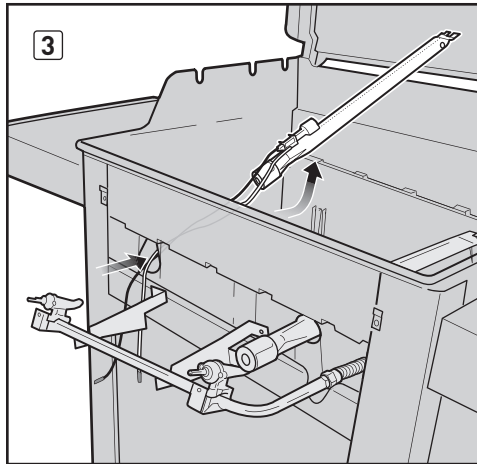
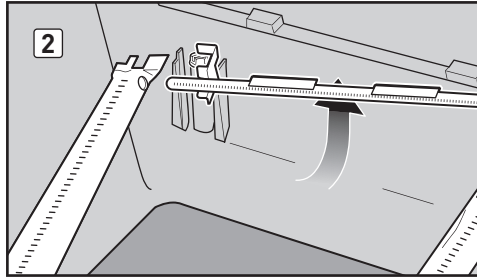
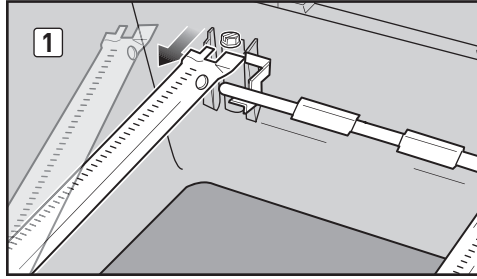
BURNER TUBE CLEANING OR REPLACEMENT (continued)

Remove Burner Tubes

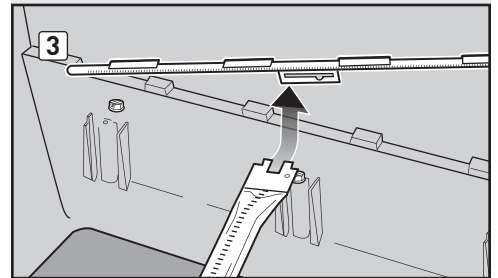
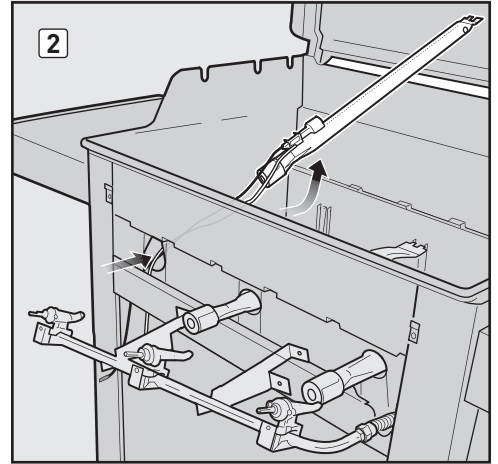
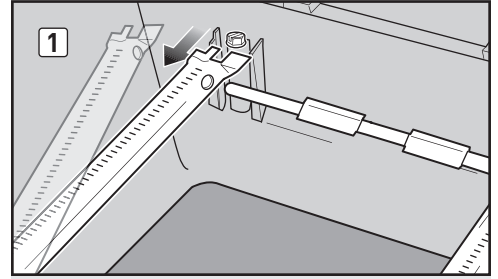
For Spirit™ grills with 2 burners (210 model):

- A) Slide burner tube 1 out from under the guide screw and washer. Move burner tube 1 slightly to the left to detach it from Crossover™ tube **(1)**.
- B) Remove Crossover™ tube **(2)**.
- C) Lift burner tube 1 up and out of cookbox while guiding the wires through the hole in the cookbox **(3)**.
- D) Slide burner tube 2 out from under the guide screw and washer. Lift burner tube 2 up and out of the cookbox **(4)**.

210



310

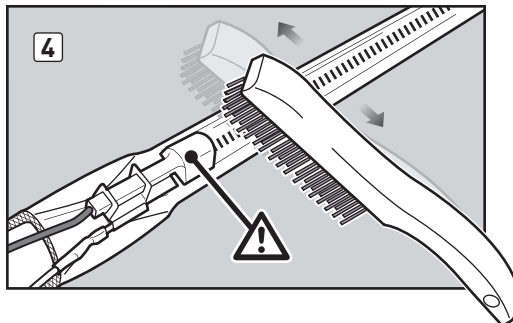
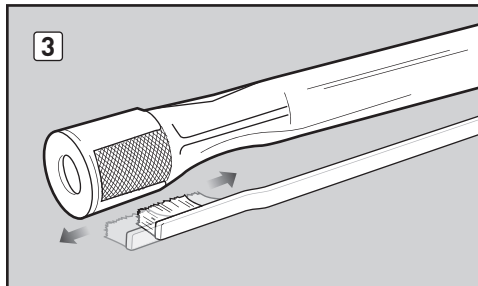
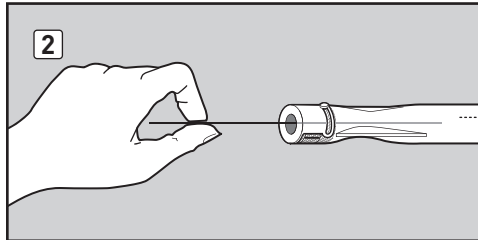
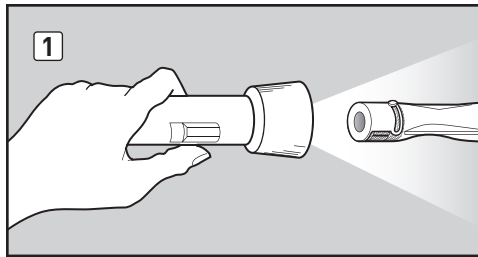


BURNER TUBE CLEANING OR REPLACEMENT (continued)

Clean Burner Tubes

You will need: A torch, a wire (a straightened-out coat hanger), a suitable stainless steel bristle brush, and a soft bristle brush (toothbrush).

- A) Look inside each burner tube and Crossover™ tube with a torch **(1)**.
 - B) Clean any debris or blockage from the inside of the tubes with the wire **(2)**.
 - C) Check spider/insect screens at the ends of the burner tubes and clean them using the soft bristle brush **(3)**.
- ⚠ CAUTION: Do not clean the spider/insect screens with hard or sharp tools. Do not dislodge the spider/insect screens or enlarge the screen openings.**
- D) Use the steel bristle brush to clean the outside of the burner tubes and the Crossover™ tube. This is done to make sure all burner ports (openings) running along the length of the tubes are fully open. When cleaning burner tube 1, avoid damaging the igniter electrode by carefully brushing around it **(4)**.
- ⚠ CAUTION: Do not enlarge the burner ports when cleaning.**



ANNUAL MAINTENANCE

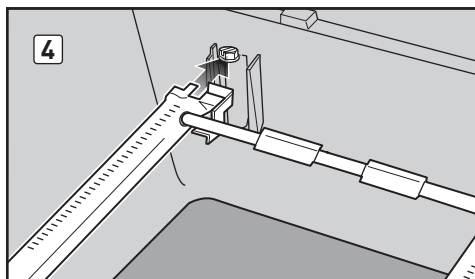
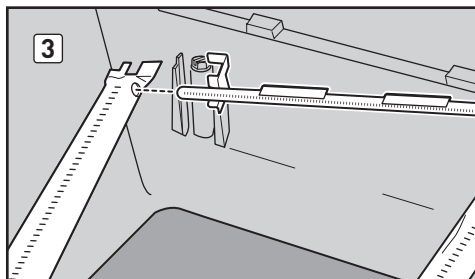
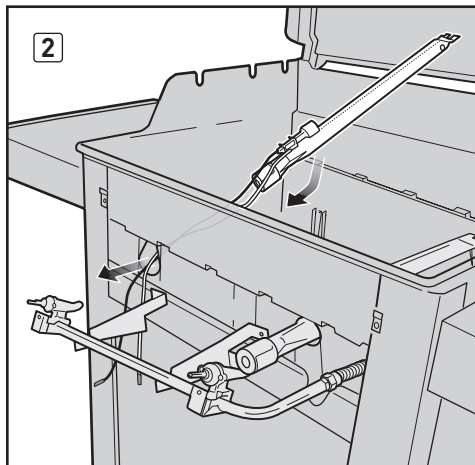
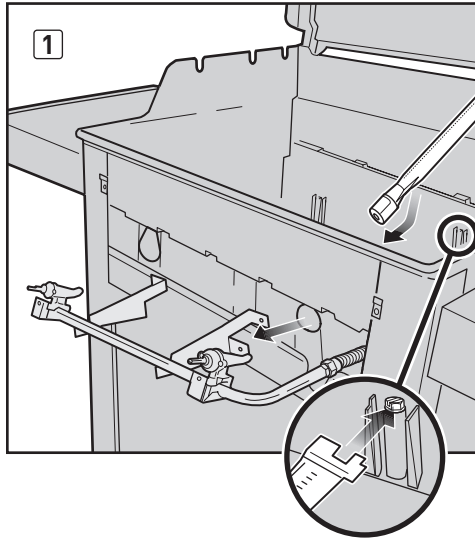
BURNER TUBE CLEANING OR REPLACEMENT (continued)

Reinstall Burner Tubes

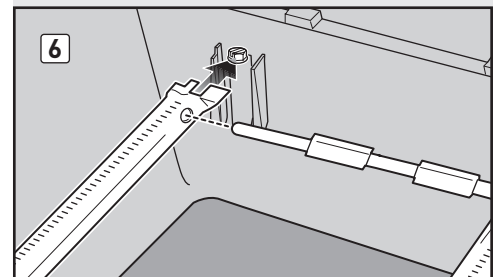
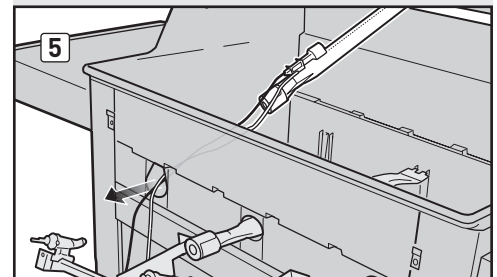
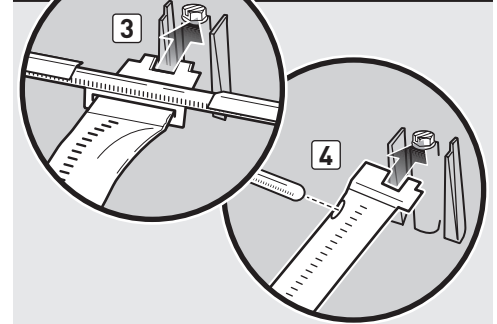
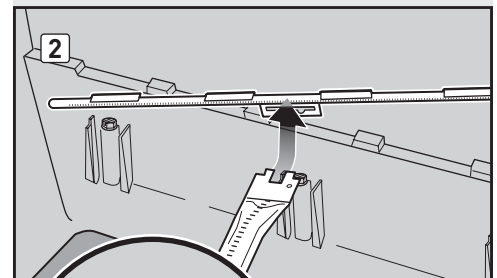
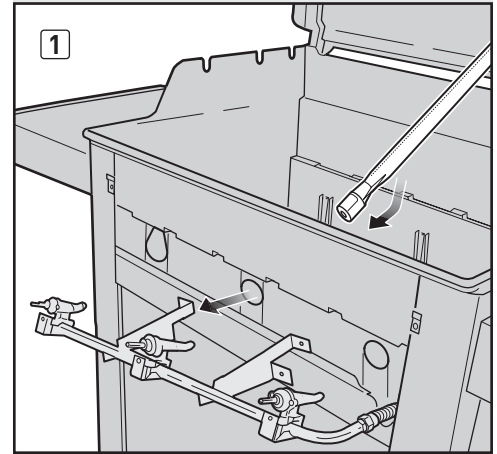
For Spirit™ grills with 2 burners (210 model):

- A) Put burner tube 2 inside cookbox and pass the front end of tube out through burner tube 2 opening. *Note: Single row of burner ports should be facing up.* Slide burner tube 2 under the guide screw and washer **(1)**.
- B) Put burner tube 1 inside cookbox and pass igniter wires and the front end of tube out through burner tube 1 opening **(2)**.
- C) While holding burner tube 1, insert left side of Crossover™ tube into Crossover™ burner hole **(3)**. Guide right side of Crossover™ tube into Crossover™ burner hole in burner tube 2 (not pictured). *Note: The Crossover™ tube burner ports should face the front of the cookbox.*
- D) Slide burner tube 1 under the guide screw and washer **(4)**.

210



310



ANNUAL MAINTENANCE

BURNER TUBE CLEANING OR REPLACEMENT (continued)

Reinstall Manifold

You will need: A Phillips screwdriver, two 7/16" spanners.

- A) Align valves with burner tubes. Using two 7/16" spanners, install bolts and nuts that secure manifold to cookbox (1).
- B) With a Phillips screwdriver, install screws and washers that secure manifold to front cross brace (2). If manifold was properly reinstalled, valves will now be fully seated inside burner tubes.

⚠ **CAUTION:** The burner tube openings (3) must be positioned properly over the valve orifices (4).

⚠ **WARNING:** You should check for gas leaks every time you disconnect and reconnect a gas fitting. Refer to CHECKING FOR GAS LEAKS.

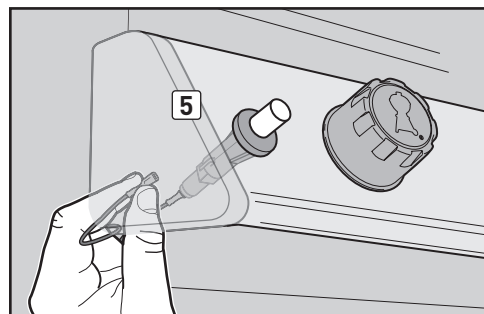
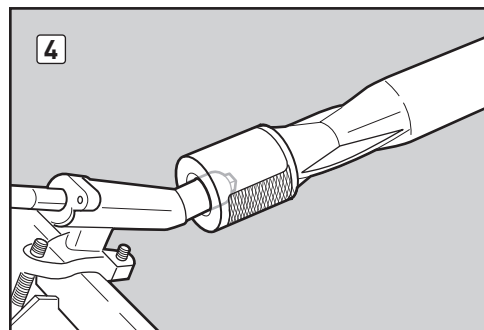
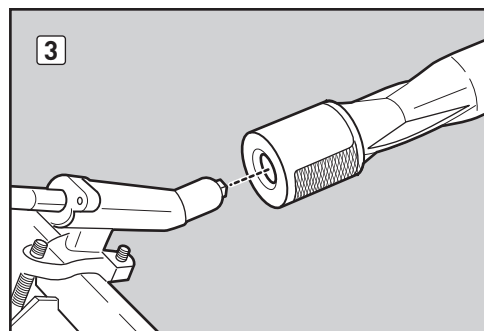
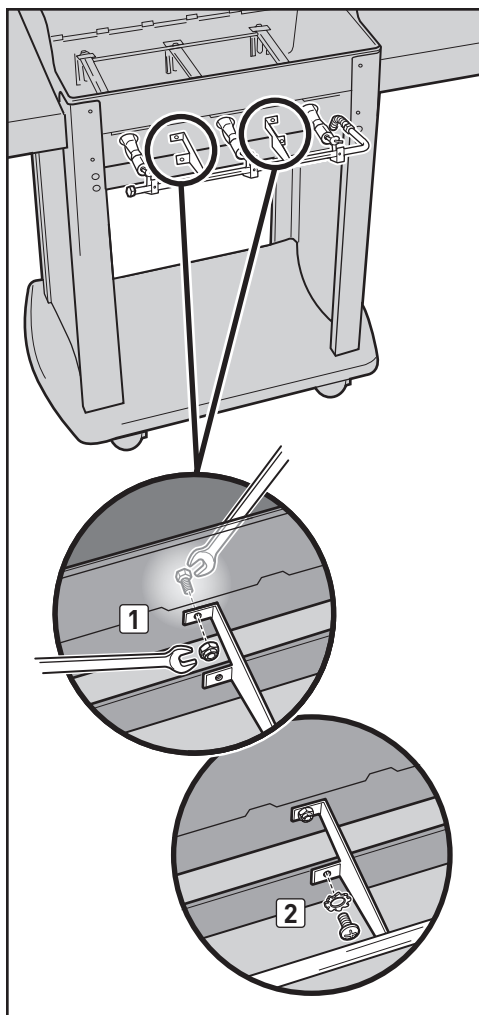
- C) Replace cookbox components (not pictured).

Reinstall Control Panel

You will need: A Phillips screwdriver.

- A) Align valve stems with holes in control panel. Position top edge of control panel on tabs of frame assembly. Push control panel down into position.
- B) Fasten control panel with screws.
- C) Place control knobs onto valve stems.
- D) Connect the wires to the igniter button (5).

⚠ **WARNING:** Make sure that all parts are assembled and hardware is fully tightened before operating the grill. Your actions, if you fail to follow this product warning, may cause a fire, an explosion, or structural failure resulting in serious personal injury or death as well as damage to property.



STORAGE

For grills that have been stored for a while, it is important to follow these guidelines:

- The gas must be turned off at the LPG cylinder when the Weber® gas grill is not in use.
- If storing the Weber® gas grill indoors, first DISCONNECT the gas supply and store the LPG cylinder outdoors in a well-ventilated space.
- Do not store a disconnected LPG cylinder in a building, garage, or any other enclosed area.
- If you do not disconnect the LPG cylinder from the Weber® gas grill, be sure to keep both the grill and the cylinder outdoors in a well-ventilated area.
- Check that the areas under the control panel and the slide-out grease tray are free from debris that might obstruct the flow of combustion or ventilation air.

BEAUTIFUL— INSIDE AND OUT

Weber™ grill owners take a lot of pride in their grills. Flaunt your pride and joy. Keep your grill clean and beautiful—inside and out—by following these routine maintenance steps.

CLEANING THE OUTSIDE OF THE GRILL

To keep the outside of your grill looking its best, use the following guidelines for safe cleaning.

⚠ WARNING: Turn your Weber® gas grill off and wait for it to cool before cleaning it.

Painted, Enamelled and Plastic Surfaces

Use a warm, soapy water solution to clean outside surfaces; then rinse with water.

IMPORTANT: Do not use cleaners that contain acid, mineral spirits or xylene. Do not use oven cleaner, abrasive cleaning agents (kitchen cleaning agents), cleaners that contain citrus products, or abrasive cleaning pads on grill or cart surfaces.

Stainless Steel Surfaces

Your grill or its cabinet, lid, and control panel may be made of stainless steel. Wash outside surfaces with a soft cloth and a soap-and-water solution, rinse with water, and wipe dry.

For stubborn particles, a non-metallic brush can be used. Scrub stainless steel surfaces in the direction of the grain.

IMPORTANT: Rinse surfaces well after cleaning. Do not use a wire brush or abrasive cleaners on the stainless steel surfaces of your grill as this will cause scratches. When cleaning stainless steel, be sure to rub/wipe in the direction of the grain.

CLEANING THE INSIDE OF THE GRILL

To keep your grill performing safely and efficiently, it is important to remove any debris and excess grease that may have accumulated on the inside of the grill. Use the following guidelines for safe cleaning.

Inside Lid

Flaking, built-up grease resembles paint flakes. Wipe inside lid with paper towel to prevent grease build-up. Wash inside lid with warm, soapy water; then rinse with water.

Cookbox

Wash inside cookbox with warm, soapy water; then rinse with water.

Cookbox Components

You will need: A stainless steel bristle brush, stiff plastic scraper.

- Scrape and brush the cooking grates with the scraper and brush. Remove the cooking grates and set aside.
- Scrape and brush the Flavorizer™ bars with the scraper and brush. As needed, wash them with warm, soapy water; then rinse with water. Remove Flavorizer™ bars and set aside.

⚠ CAUTION: Do not clean Flavorizer™ bars or cooking grates in a self-cleaning oven.

- Brush any debris off burner tubes and Crossover™ tube. Do not enlarge burner ports (openings) running along length of burner and Crossover™ tubes (1). *NOTE: When cleaning burner tube 1, avoid damaging the igniter electrode by carefully brushing around it.*
- When cleaning is complete, replace the Flavorizer™ bars and cooking grates.

Slide-Out Grease Tray

Your grill was built with a grease collection system, which funnels grease away from food and into removable containers.

Check the slide-out grease tray for grease build-up each time you use your grill. Remove excess grease with a plastic scraper (2). Wash the grease tray with a soap-and-water solution and rinse with water.

⚠ CAUTION: Do not line the slide-out grease tray with aluminium foil.

Catch Pan and Disposable Drip Pan

Grease from the slide-out grease tray funnels into a catch pan. Cleaning the catch pan is just as important as cleaning the slide-out grease tray.

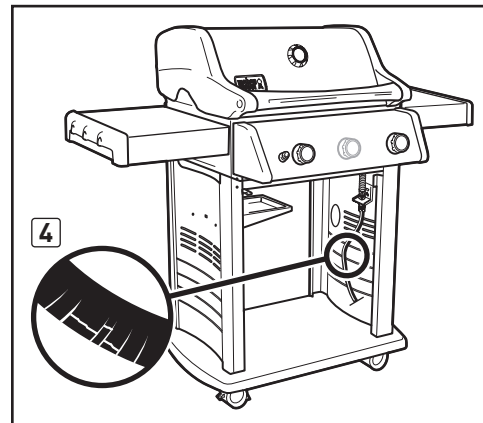
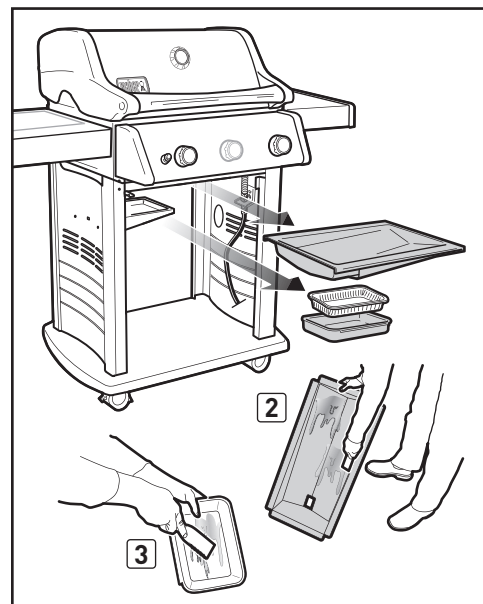
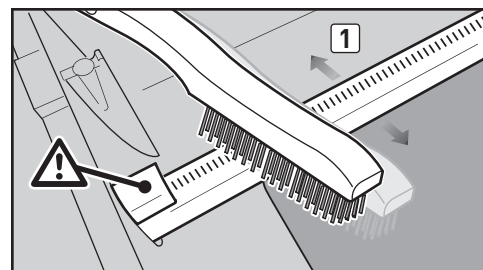
Check the catch pan for grease build-up each time you use your grill. Remove excess grease with a plastic scraper (3). Wash the catch pan with warm, soapy water and rinse with water. To keep the catch pan cleaner longer, you can line the catch pan with a Weber® disposable drip pan or with aluminium foil.

⚠ WARNING: Check the slide-out grease tray and catch pan for grease build-up each time before using. Remove excess grease to avoid a grease fire. A grease fire can cause serious bodily injury or damage to property.

HOSE INSPECTION

The hose should be inspected routinely for any signs of cracking (4).

⚠ WARNING: Check hose each time before using grill for nicks, cracking, abrasions or cuts. If the hose is found to be damaged in any way, do not use the grill. Replace using only Weber® authorised replacement hose. Contact the Customer Service Representative in your area using the contact information on our web site. Log onto www.weber.com.



To obtain replacement disposable drip pans, cooking grates and Flavorizer™ bars, contact the Customer Service Representative in your area using the contact information on our website. Log onto www.weber.com.

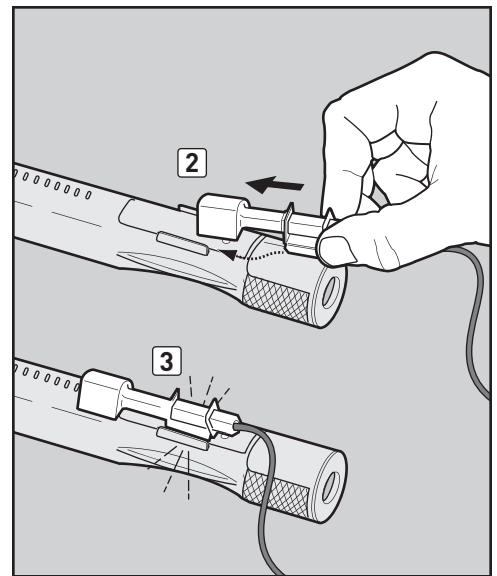
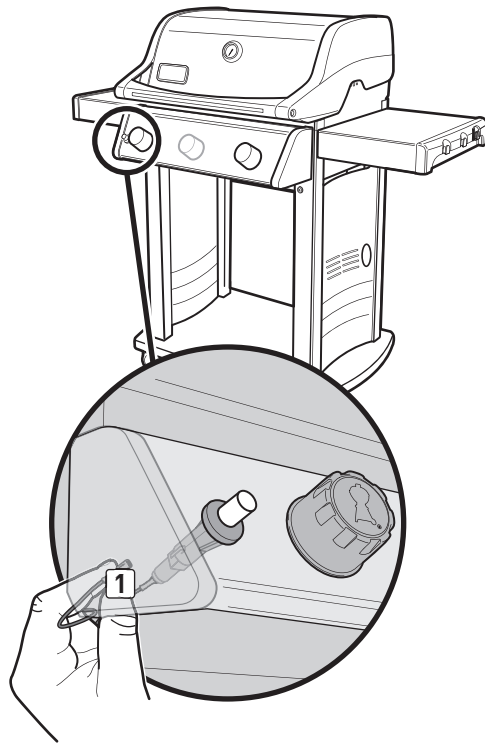
MAINTAINING THE CROSSOVER™ IGNITION SYSTEM

The igniter supplies power to the Crossover™ ignition system with one igniter button. Whether you are performing routine maintenance or a troubleshooting check on the ignition system, read the following to keep your ignition system working properly.

If the Crossover™ ignition system fails to ignite, you'll need to pinpoint where the problem is occurring: with the gas flow or with the ignition system. Begin by attempting to match-light your burners. Refer to "MAIN BURNER IGNITION - Lighting with a Match." If match-lighting is successful, the problem lies in the ignition system.

- Make sure the igniter wires are attached to the igniter **(1)**.
- Make sure the ceramic igniter assembly is fully inserted into burner tube igniter channel **(2)**. If properly positioned, you will hear a snap **(3)**.
- Make sure the igniter button is working by listening for a click and looking for sparks at burner.

If the Crossover™ ignition system still fails to ignite, contact the Customer Service Representative in your area using the contact information on our web site. Log onto www.weber.com.



⚠ ATTENTION: This product has been safety-tested and is only certified for use in a specific country. Refer to country designation located on outside of box.

These parts may be gas-carrying or gas-burning components. Please contact Weber-Stephen Products LLC Customer Service Department for genuine Weber-Stephen Products LLC replacement part(s) information.

⚠ WARNING: Do not attempt to make any repair to gas-carrying or gas-burning components without contacting Weber-Stephen Products LLC Customer Service Department. Your actions, if you fail to follow this product warning, may cause a fire or an explosion resulting in serious personal injury or death and damage to property.

AUSTRALIA

Weber-Stephen Products LLC
R. McDonald Co. PTY. LTD.
+61.8.8221.6111

AUSTRIA

Weber-Stephen Österreich GmbH
+43 7242 890 135 0
info-at@weberstephen.com

BELGIUM

Weber-Stephen Products Belgium Sprl
+32 015 28 30 90
infobelux@weberstephen.com

CHILE

Weber-Stephen Chile SpA.
+01 56 2-3224-3936

CZECH REPUBLIC

Weber-Stephen CZ & SK spol. s r.o.
+42 267 312 973
info-cz@weberstephen.com

DANMARK

Weber-Stephen Nordic ApS
+45 99 36 30 10
info@weberstephen.dk

DEUTSCHLAND

Weber-Stephen Deutschland GmbH
+49 6132 8999 0
info-de@weberstephen.com

FRANCE

Weber-Stephen France
+33 810 19 32 37
service.consommateurs@weberstephen.com

HUNGARY

Weber-Stephen Magyarország Kft.
+36 70 / 70-89-813
info-hu@weberstephen.com

ICELAND

Jarn & Gler Wholesale EHF
+354 58 58 900

INDIA

Weber-Stephen Barbecue Products India Pvt. Ltd.
080 42406666
customercare@weberindia.com

ISRAEL

D&S Imports
+972 392 41119
info@weber.co.il

ITALY

Weber-Stephen Products Italia Srl
+39 0444 360 590
info-italia@weberstephen.com

MEXICO

Weber-Stephen Products S.A. de C.V.
+01800-00-Weber [93237] Ext. 105

NETHERLANDS

Weber-Stephen Netherlands B.V.
+31 513 4333 22
info@weberbarbecues.nl

NEW ZEALAND

Weber New Zealand ULC
+64 9 570 6630

POLSKA

Weber-Stephen Polska Sp. z o.o.
+48 22 392 04 69
info-pl@weberstephen.com

RUSSIA

OOO Weber-Stephen Vostok
+7 495 989 56 34
info.ru@weberstephen.com

SOUTH AFRICA

Weber-Stephen Products (South Africa) (Pty) Ltd.
+27 11 454 2369
info@weber.co.za

SPAIN

Weber-Stephen Iberica Srl
+34 93 584 40 55
infoiberica@weberstephen.com

SWITZERLAND

Weber-Stephen Schweiz GmbH
+41 52 24402 50
info-ch@weberstephen.com

TURKEY

Weber Stephen Turkey
Ev ve Bahçe Malzemeleri Ticaret Ltd. Şti
+90 212 659 64 80

UNITED ARAB EMIRATES

Weber-Stephen Nordic Middle East
+971 4 360 9256
info@weberstephen.ae

UNITED KINGDOM

Weber-Stephen Products (UK) Ltd.
+44 (0)203 630 1500
customerserviceuk@weberstephen.com

USA

Weber-Stephen Products LLC
847 934 5700
support@weberstephen.com

For Republic of Ireland, please contact:
Weber-Stephen Products (U.K.) Limited.

For other eastern European countries, such as ROMANIA,
SLOVENIA, CROATIA, or GREECE, please contact:
Weber-Stephen Deutschland GmbH,
info-EE@weberstephen.com.

For Baltic states, please contact:
Weber-Stephen Nordic ApS.



WEBER-STEPHEN PRODUCTS LLC
www.weber.com