



**CARMEN**

**Unik (base unit with two drawers and basin)**

**DIMENSIONS**

Length 800 mm.

Width 500 mm.

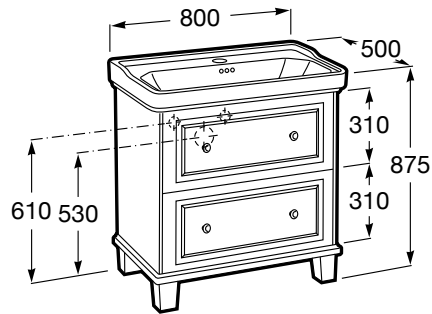
Height 875 mm.

**COLOURS AND FINISHES**



417 Matte dark grey

**TECHNICAL DRAWINGS**



**FEATURES**

Base unit / Doors and drawers combination: 2 drawers

Base unit / Structure: Drawers

Basin / Taphole configuration: 1 taphole in the middle

Dimensions / Basin and base unit / Height (mm): 875

Dimensions / Basin and base unit / Length (mm): 800

Dimensions / Basin and base unit / Width (mm): 500

Installation type: Floor-standing

Material / Base unit: Chipboard, MDF

Material / Basin: Vitreous china

Space-saving waste included

Tap installation: On the basin

COMPATIBLE WITH



Smooth body basin mixer  
with click clack waste

5A3A4BC00



Round mirror with  
perimetral LED lighting and  
demister device

812337000



Mirror with perimetral LED  
lighting and demister device

812341000

## Carmen

Carmen is a tribute to one of Roca's most iconic basins of the 1940s, which comes back with a clear vintage character to become a vitreous china and furniture collection with the latest innovations in the design of bathroom spaces.



### INSTALLATION AND USER MANUALS



[Spare Parts Catalogue](#)