

HD CLAD™

A Composite Prime Product

Installation Guide

PRO



www.composite-prime.com

Contents

HORIZONTAL INSTALLATION

Important Notes for Horizontal Installation	04
Parts	05
Under Construction.....	06
Batten Installation	07
Framing	09
Installation Method 1	
1. Installing the Inside Corner Trim.....	10
2. Installing the Outside Corner Trim.....	14
3. Installing the I-shaped Joining Strip	17
4. Installing the F-shaped End Trim.....	21
Installation Method 2	
Installing all the Trims First.....	24

VERTICAL INSTALLATION

Important Notes for Vertical Installation	28
Parts	29
Framing	31
Installation Method 1	
Using just the Starter Clips	32
Installation Method 2	
Using the F-shaped End Trim with the Starter Clips.....	38
Installation Method 3	
Using Mitred F-shaped End Trims with the Starter Clips	44

WINDOW AND DOORS

Cladding around Windows and Doors	52
---	----

IMPORTANT NOTES - READ BEFORE STARTING HORIZONTAL INSTALLATION

Before starting any work, we recommend that you read these instructions and familiarise yourself with all the components, the options available and the method of installation that you are going to use. All diagrams and instructions in this guide are for illustration purposes and are not meant or intended to replace a professional installer. Any work undertaken with Composite Prime® products must be in accordance with any building regulations required. The consumer assumes all risks and liability that may or may not be associated with the use of this product.

SAFETY

Prior to commencing any construction work ensure that you have the appropriate safety wear and equipment to avoid any risk of injury.

TOOLS

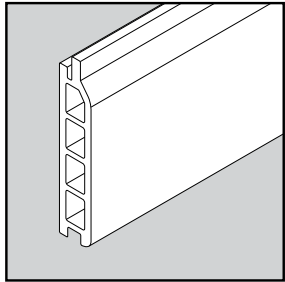
Woodworking tools may be used. We recommend that any cutting blades used have a carbide tip. We recommend all screws and fixings to be stainless steel or adequately coated and fit for outdoor use.

CONSTRUCTION

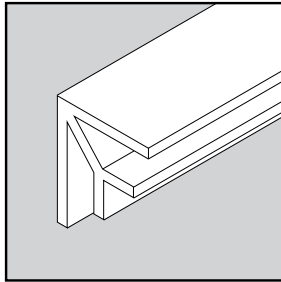
HD Clad Pro™ cannot be used as a primary load bearing structure. We recommend that prior to any work, a plan of the work is done to ensure the best possible looking cladding for your project and to ensure that you have all the required components to enable you to complete the installation. Door and window apertures should be finished off with the appropriate trims to suit the respective installation.

INSTALLATION

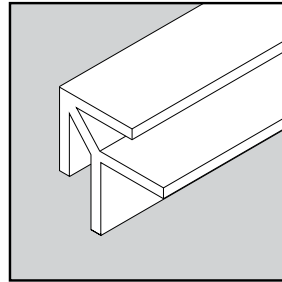
There are various ways that *HD Clad Pro™* can be installed. This installation guide gives an overview of some typically used methods and installation guidelines.



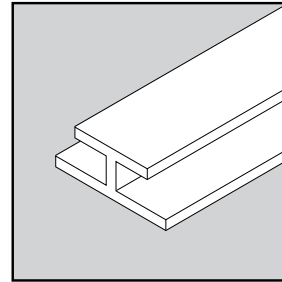
Cladding board



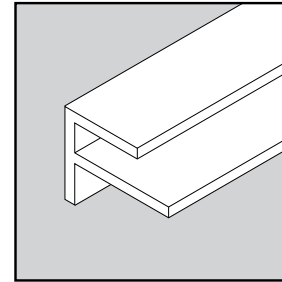
Inside corner trim



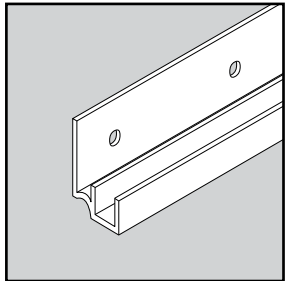
Outside corner trim



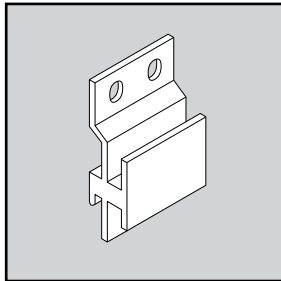
Joining trim I-shaped



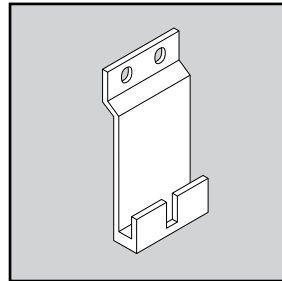
End trim F-shaped



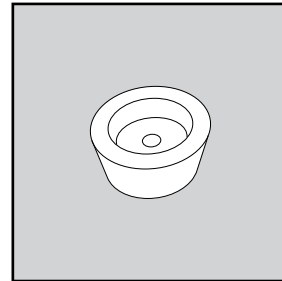
Starter strip
(For horizontal installation)



Fixing clip



Starter clip



Spacer button

Parts

HD Clad Pro™ cladding system offers a number of components to enable you to install your cladding successfully.

Cladding board	(3600x136x22mm)
Inside corner trim	(3600x69x69mm)
Outside corner trim	(3600x45x45mm)
Joining trim I-shaped	(3600x45x35mm)
End trim F-shaped	(3600x45x60mm)

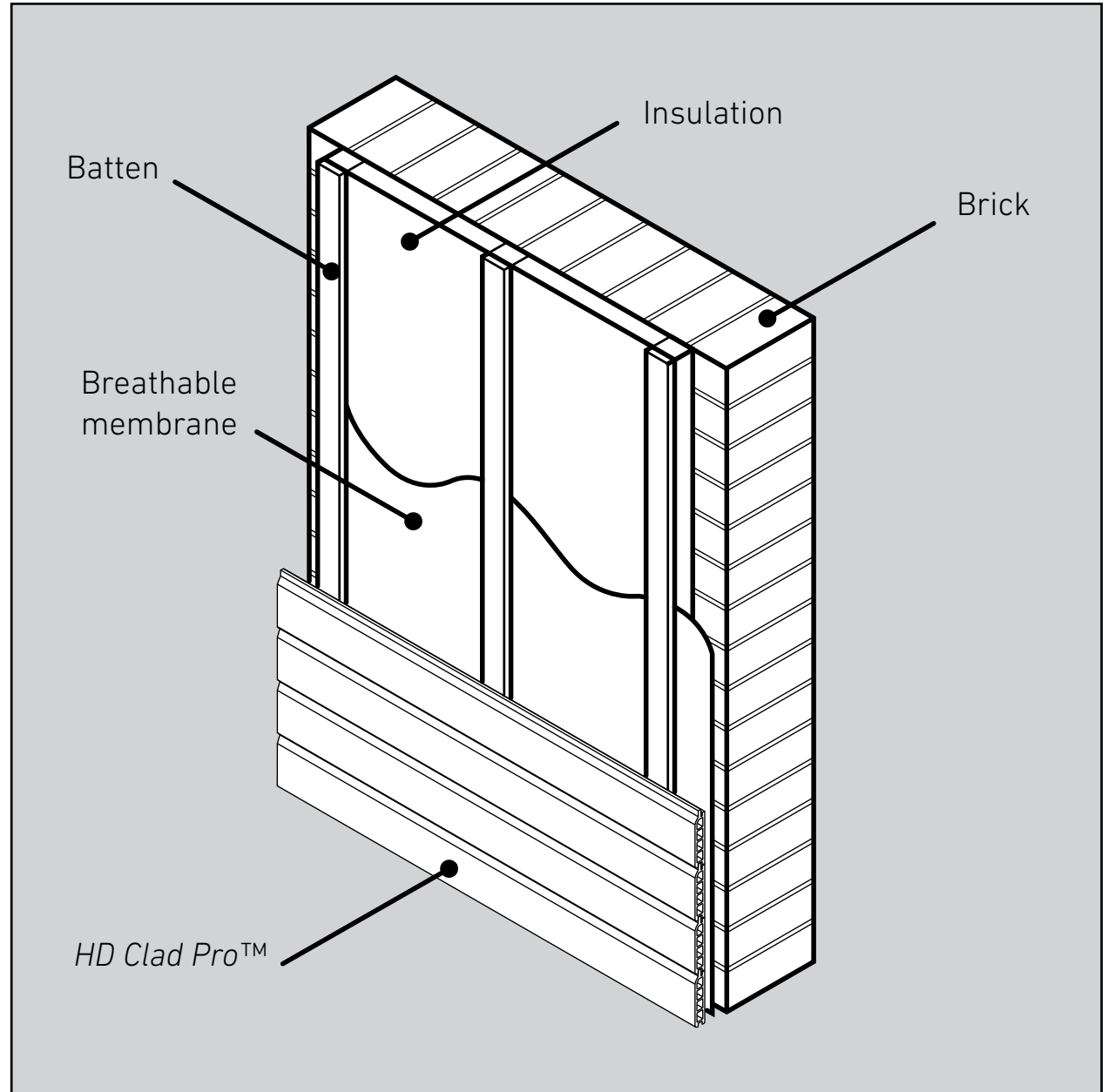
Starter strip	(1250mm)
Fixing clip	
Starter clip	
Spacer button	

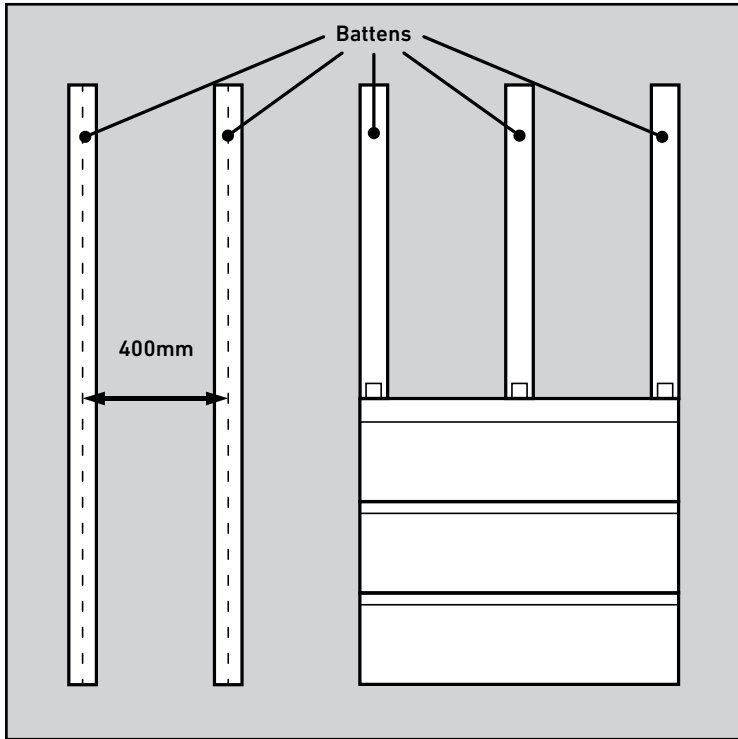
Recommended battens:

Timber battens	25x50mm (thickness x width)
Aluminium battens	18x60mm (thickness x width)

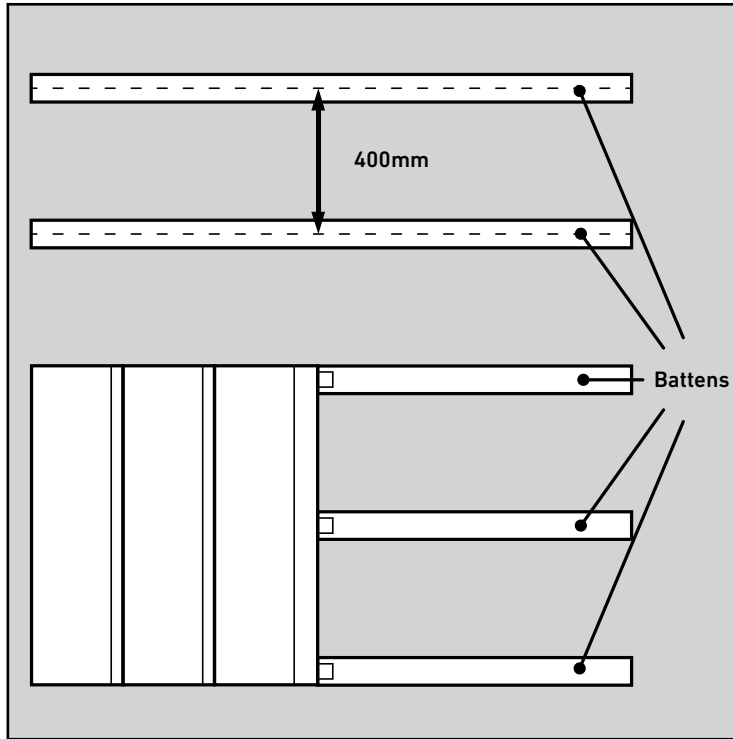
Under Construction

Installations will vary from project to project. We do recommend that you familiarise yourself with all the components and ensure that you have all the required materials and tools to complete your project. We recommend that either aluminium or pressure treated timber is used for your battens. Each cladding board needs to be supported by a batten no more than 400mm from centre to centre. Additional battens may be required around window and door openings to provide adequate support. This illustration shows the layers that would occur in a typical installation.





Horizontal installation



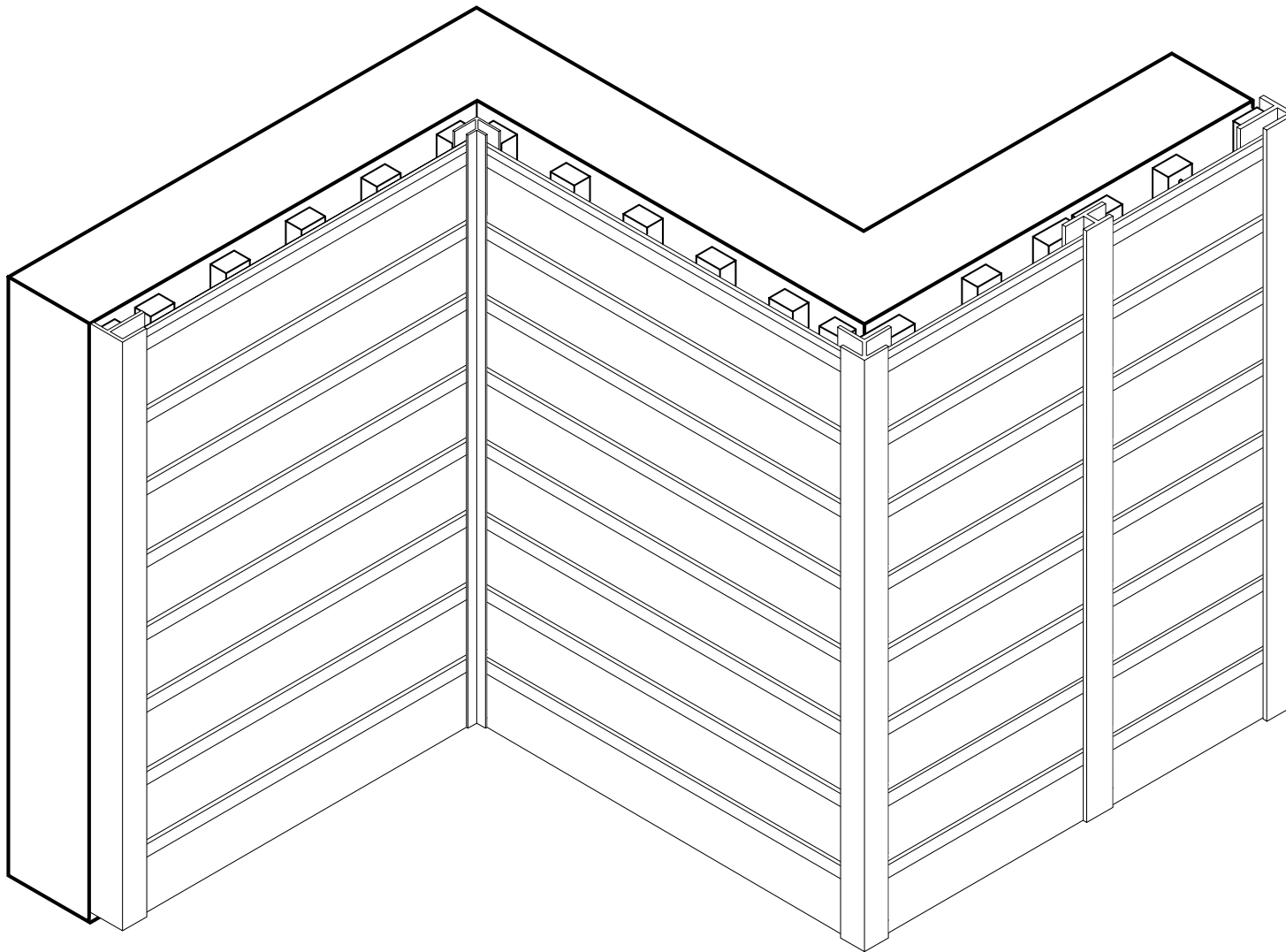
Vertical installation

Batten Installation

Your battens need to be installed in the opposite direction of the boards. If you are cladding vertically, your battens need to be installed horizontally and vice versa. We recommend that the distance between the battens is 400mm centre to centre. Use a spirit level to ensure that all the battens are installed levelly. All battens need to be flat and level against the wall. Use shims if they are required to achieve this.

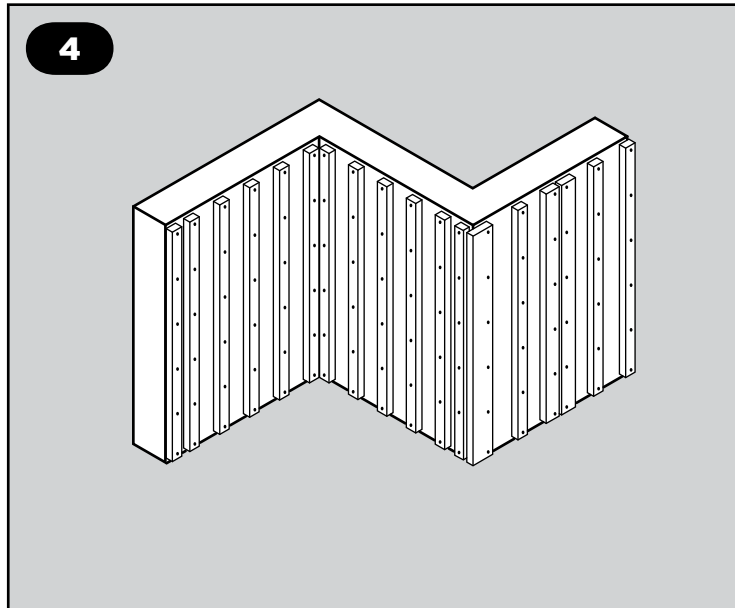
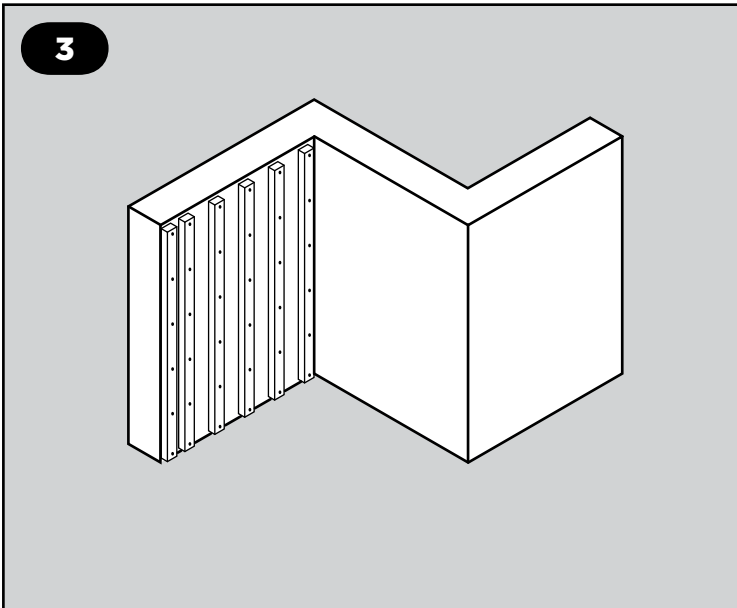
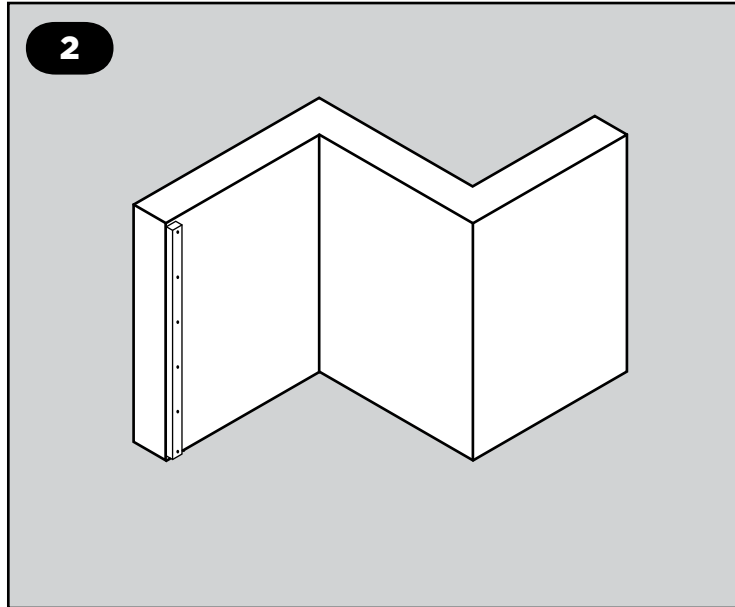
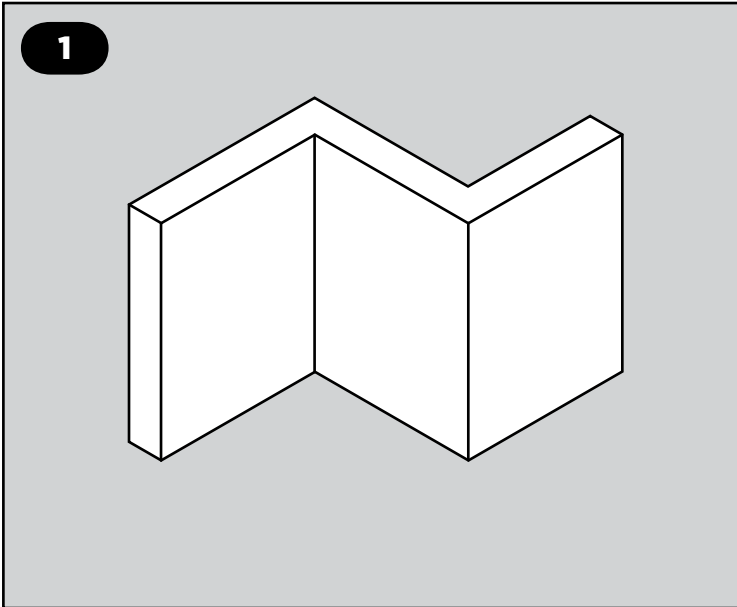
Recommended battens:

Timber battens	25x50mm (thickness x width)
Aluminium battens	18x60mm (thickness x width)



Horizontal Installation

HD **CLAD**™ **PRO**



Framing

The following sequence of diagrams show how you will go about fitting your battens. On all corners, inside and outside corners, ensure that your battens are butted up together, so as to create adequate fixing points for the respective trims. The frame will need to be completely level before the installation of the cladding boards can commence.

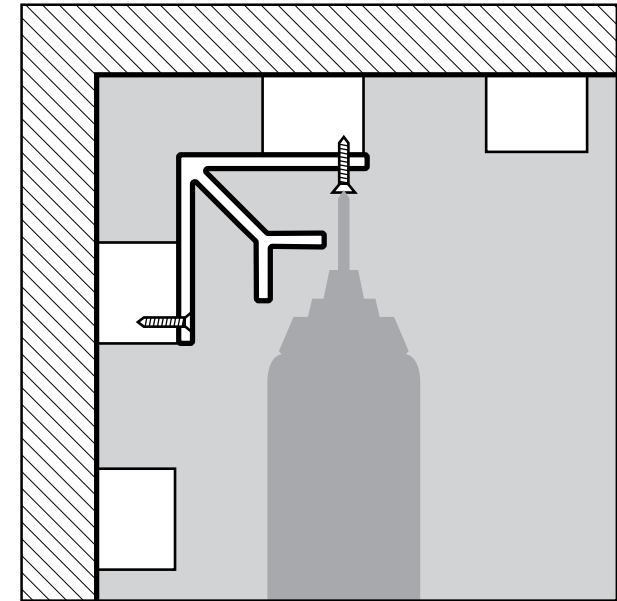
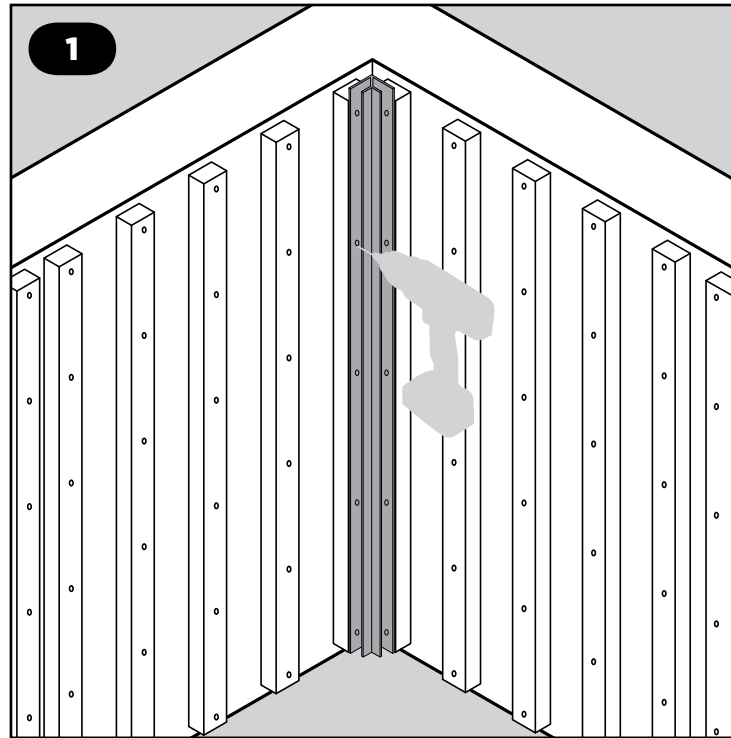
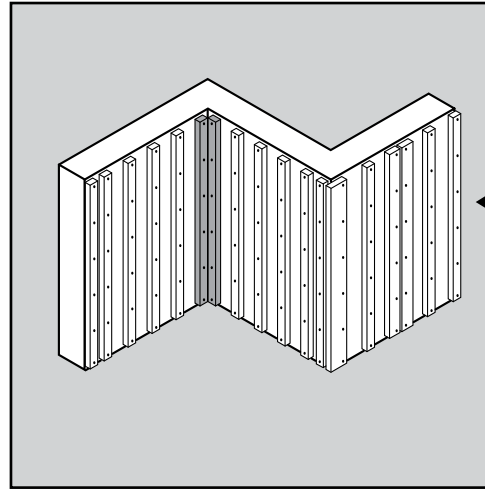
HORIZONTAL INSTALLATION METHOD 1

1. Installing the Inside Corner Trim

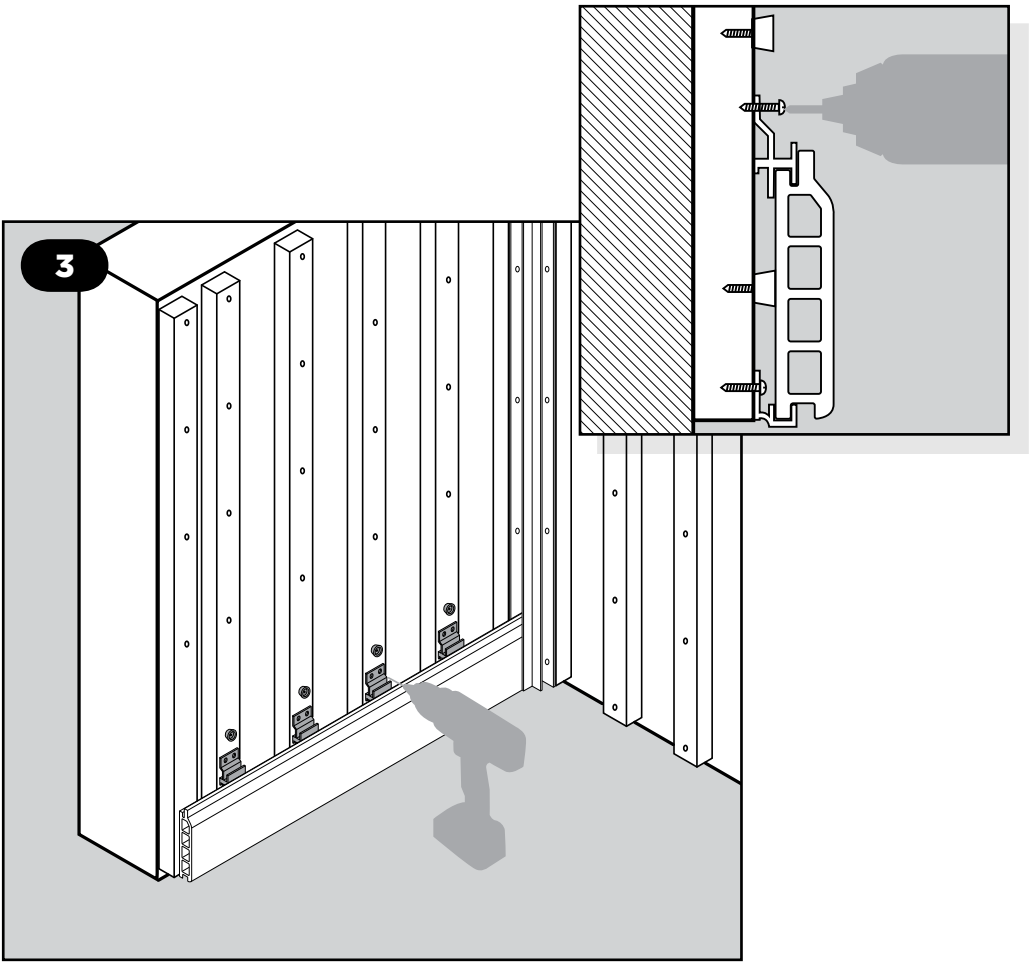
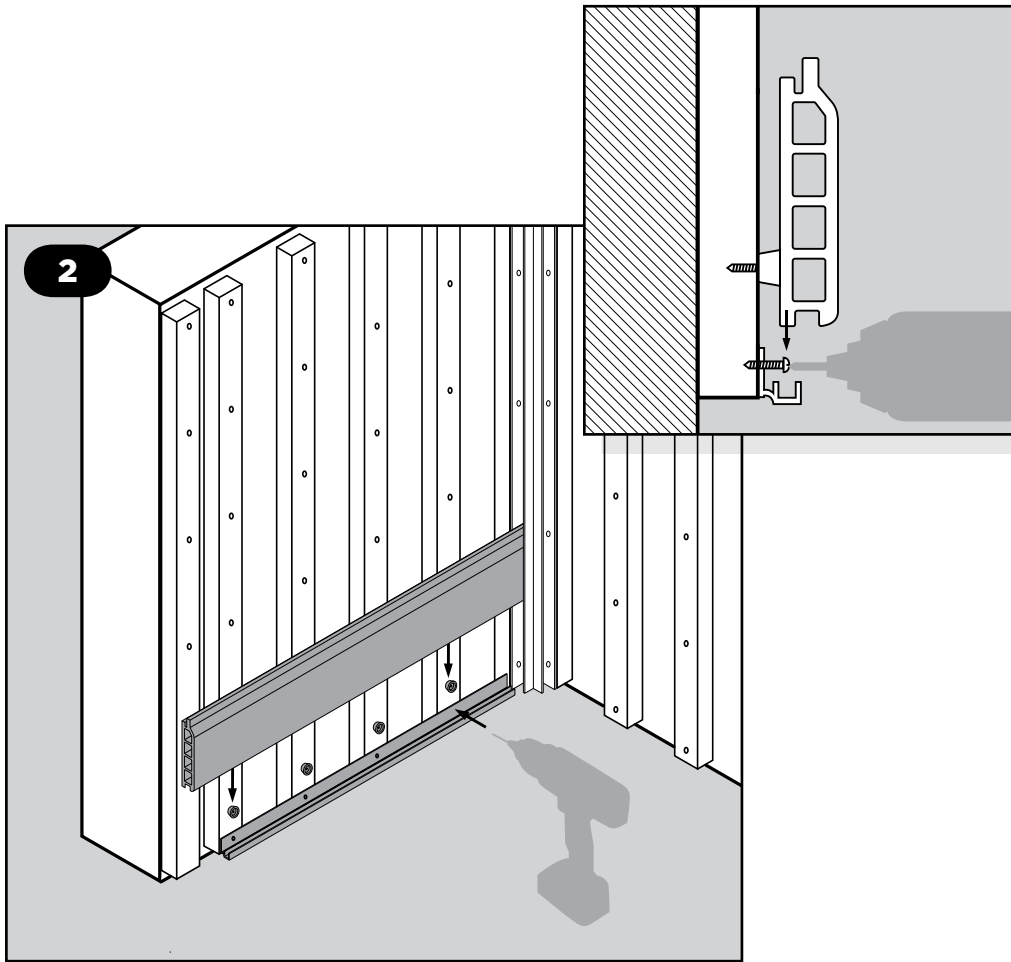
Measure the length of trim required and cut the trim to the required size.

Pre-drill all the holes in the trim. The maximum recommended distance between the holes should be 600mm. Ensure you drill the correct size holes to suit the screws that you are going to use. Countersunk head screws are recommended.

1. Place the trim in position and using a spirit level ensure that it is fitted straight and level. Proceed by screwing it to the battens using the respective screws.
2. Drill pilot holes in the starter strip and screw it in place, ensuring that it is level. Alternatively you can use the starter clips. Fit spacer buttons above the starter strip as shown in Fig.2 **as required**. Slot the cladding board in place with the corner end positioned inside the trim.
3. Using the fixing clips, secure the board in place. Fit more spacer buttons above the clips as shown in Fig.3 if required.

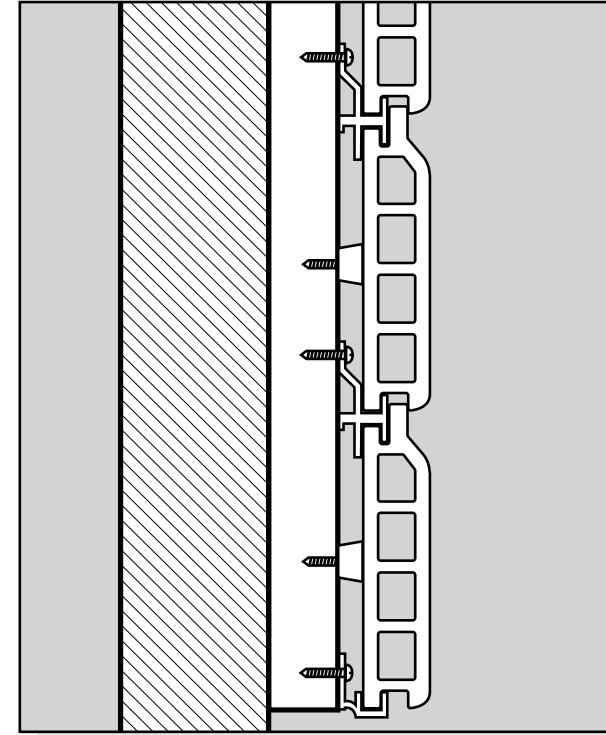
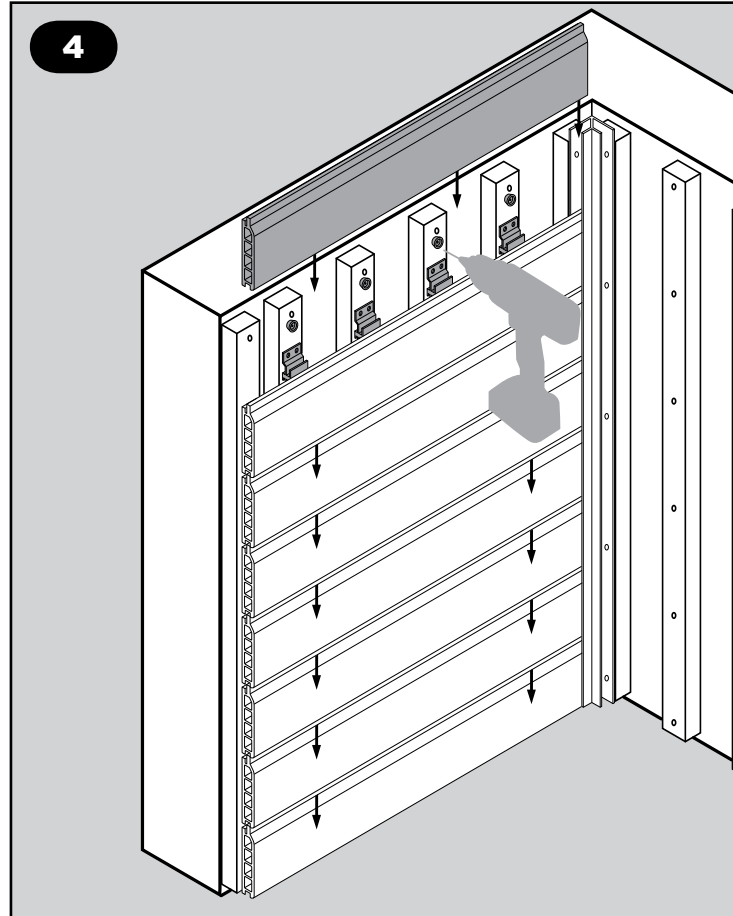


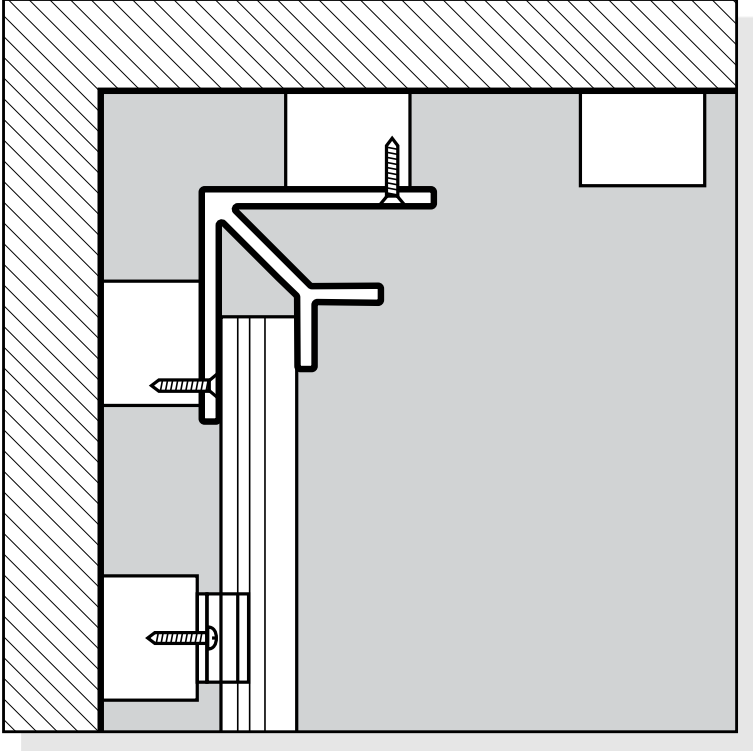
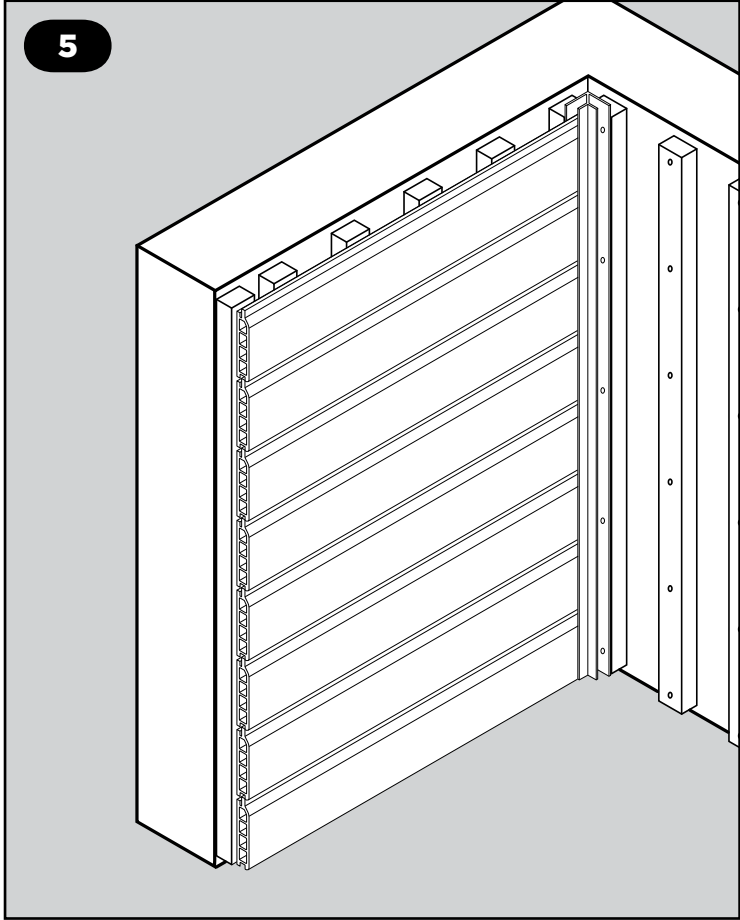
**HORIZONTAL INSTALLATION
METHOD 1**



HORIZONTAL INSTALLATION METHOD 1

4. Slot the next cladding board in place on the row of fixing clips, ensuring the corner end is positioned inside the trim.
5. Repeat steps 3 and 4 as required and as shown in Fig.4 and Fig.5.



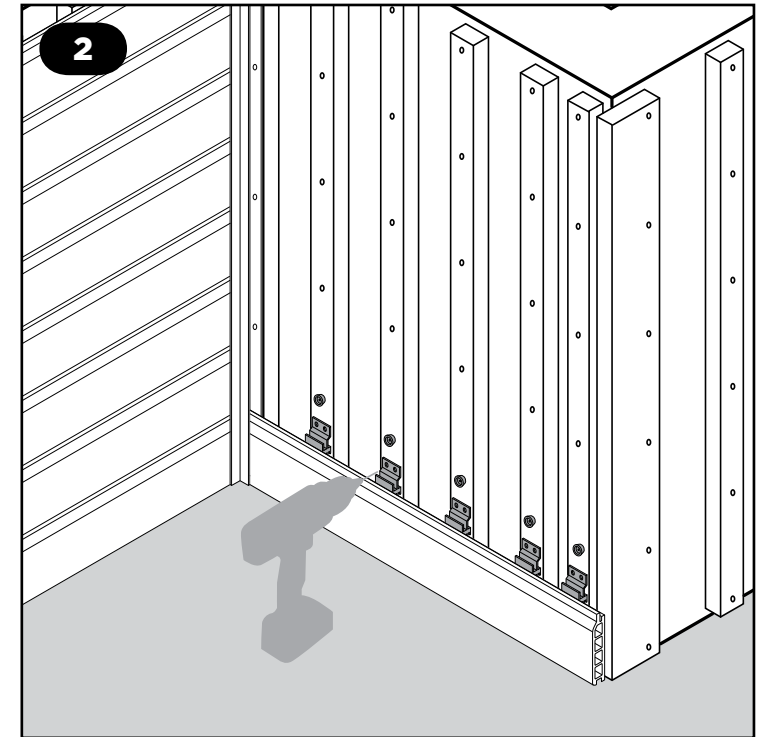
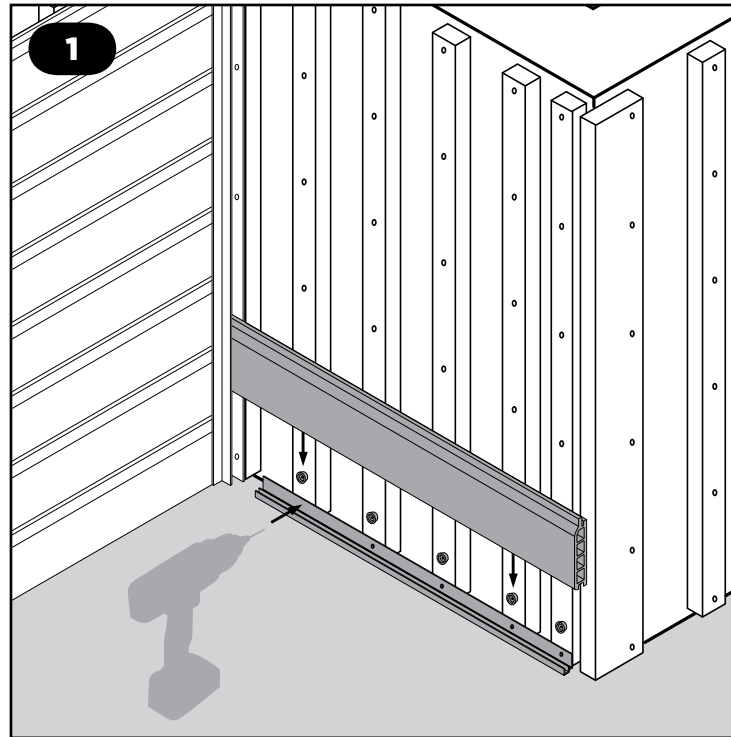
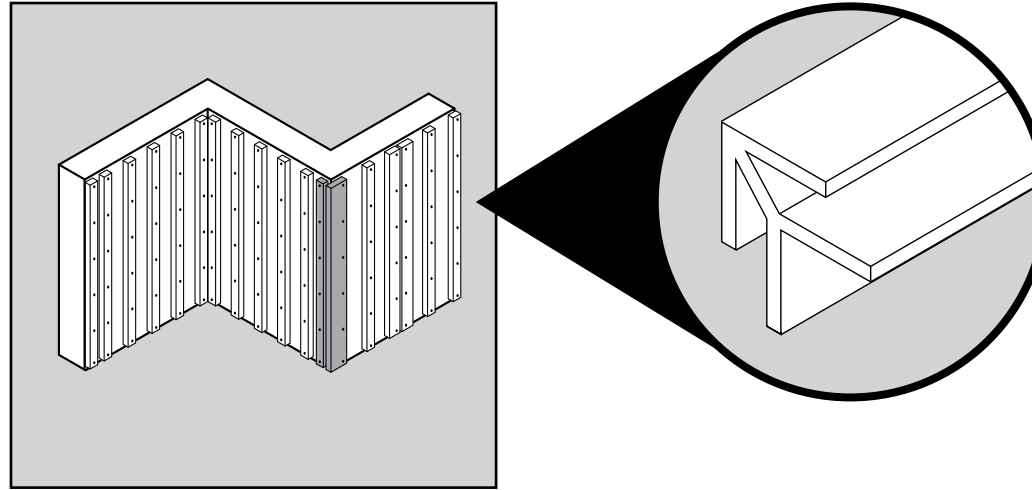


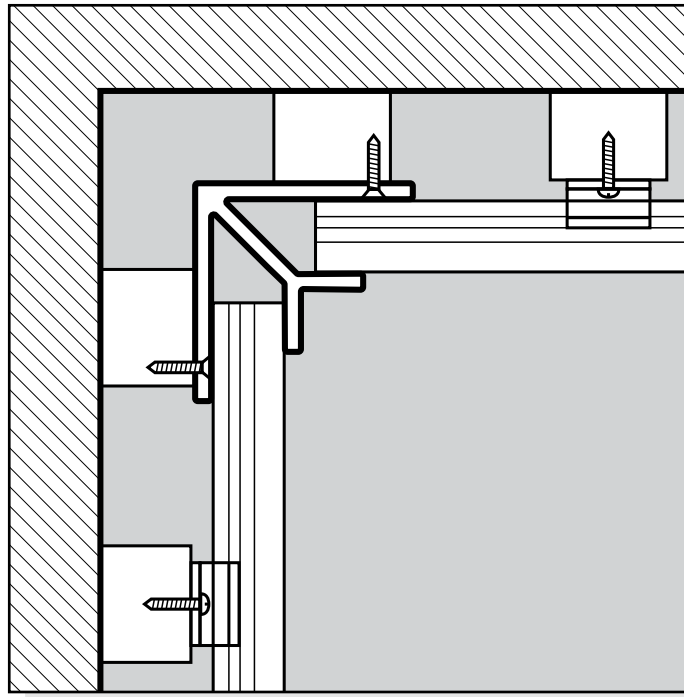
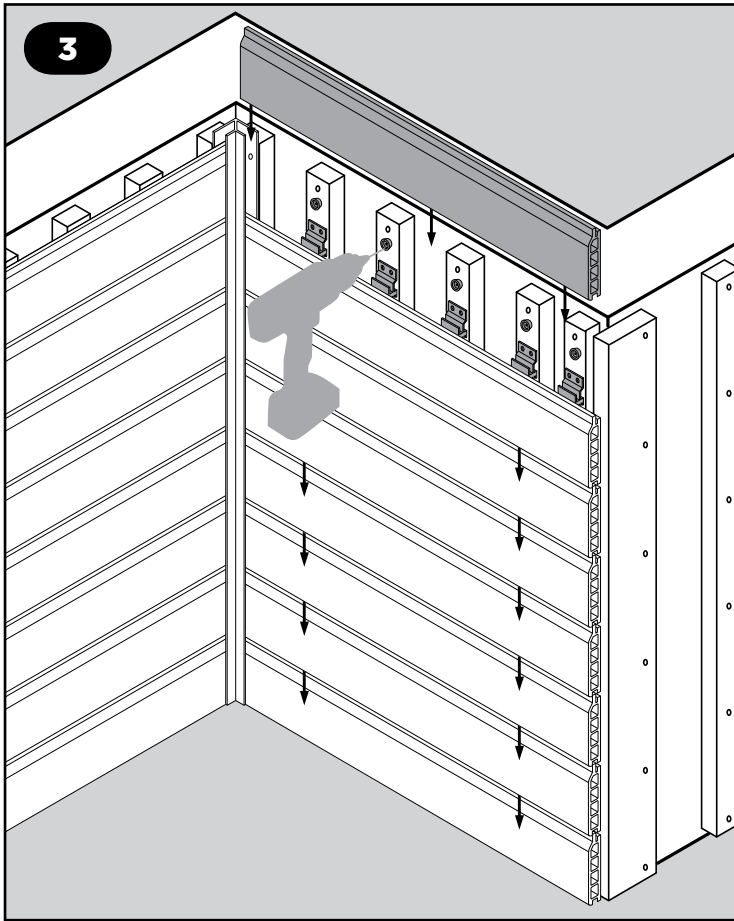
2. Installing the Outside Corner Trim

Measure the length of trim required and cut the trim to the required size.

Pre-drill all the holes in the trim. The maximum recommended distance between the holes should be 600mm. Ensure you drill the correct size holes to suit the screws that you are going to use. Countersunk head screws are recommended.

1. Drill pilot holes in the starter strip and screw it in place ensuring that it is level.
2. Fit spacer buttons as shown in Fig.1 **as required.**
3. Fit the cladding board in place as shown in Fig.1 with the corner end positioned inside the trim.
4. Using the fixing clip, secure the board in place as shown in Fig.2.



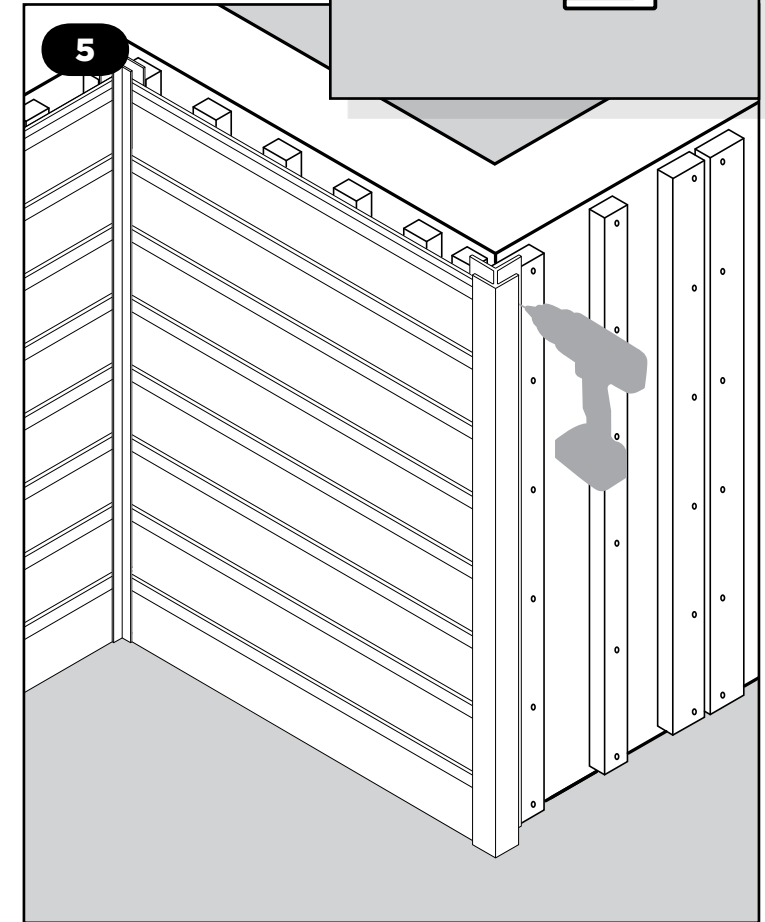
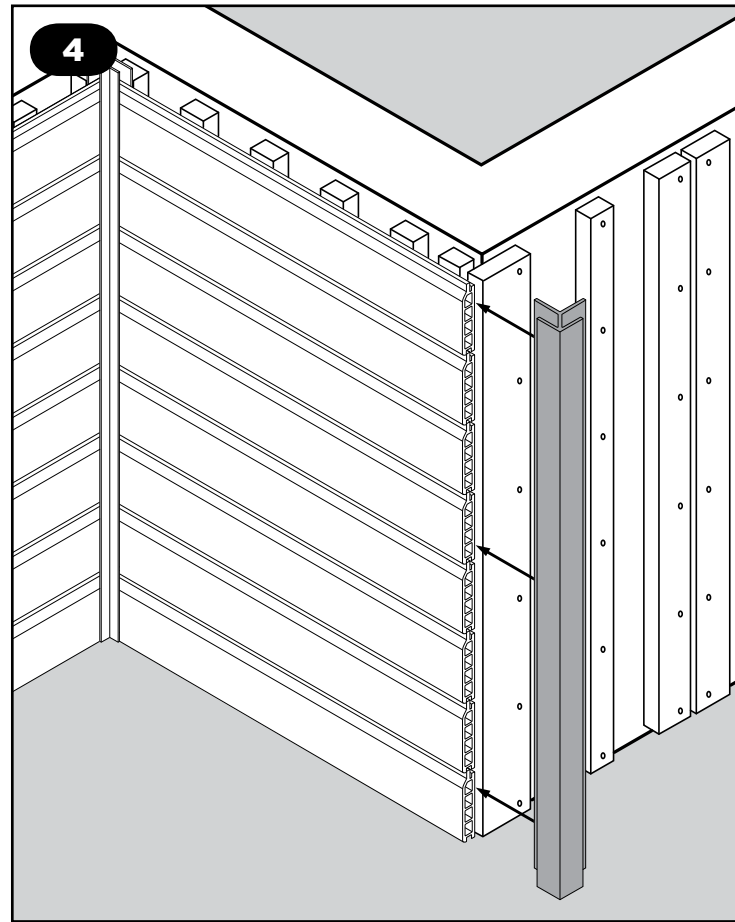


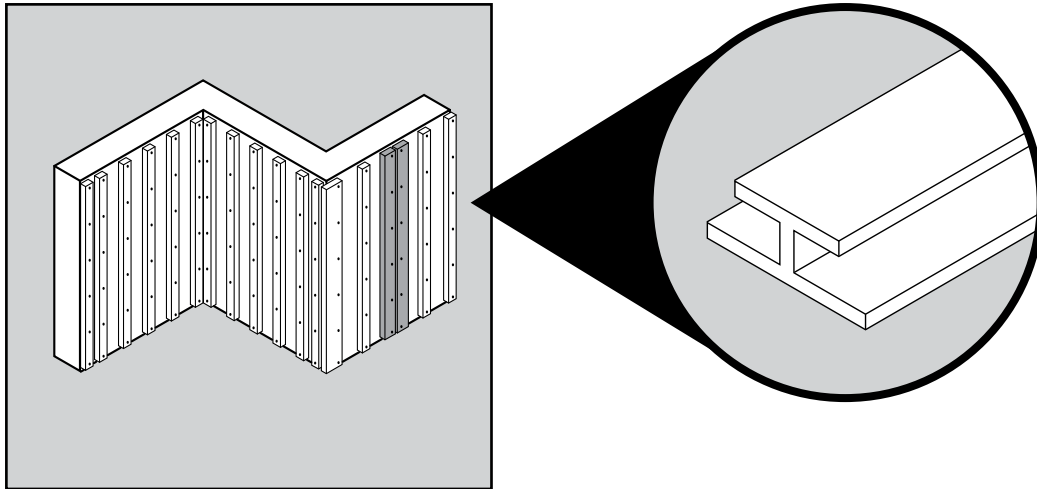
5. Slot the next cladding board in place on the row of fixing clips and secure with fixing clips.
6. Repeat steps 2 to 5 if required and as shown in Fig.3.

HORIZONTAL INSTALLATION METHOD 1

7. Push the outside corner trim behind the cladding boards ensuring that it is level. Fig.4.

8. Screw the trim in place as shown in Fig.5.

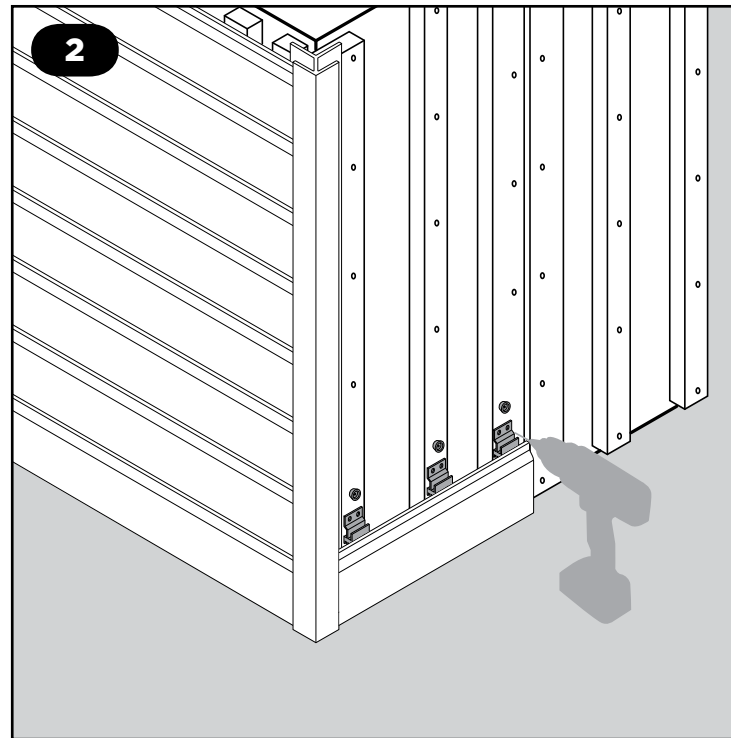
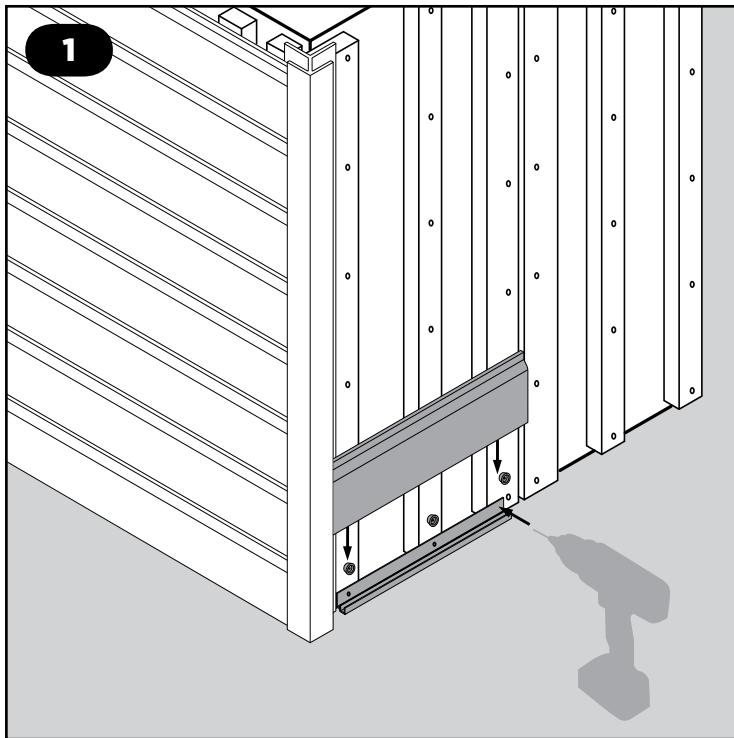




3. Installing the I-shaped Joining Trim

Measure the length of trim required and cut the trim to the required size.

Pre-drill all the holes in the trim. The maximum recommended distance between the holes should be 600mm. Ensure you drill the correct size holes to suit the screws that you are going to use. Countersunk head screws are recommended.

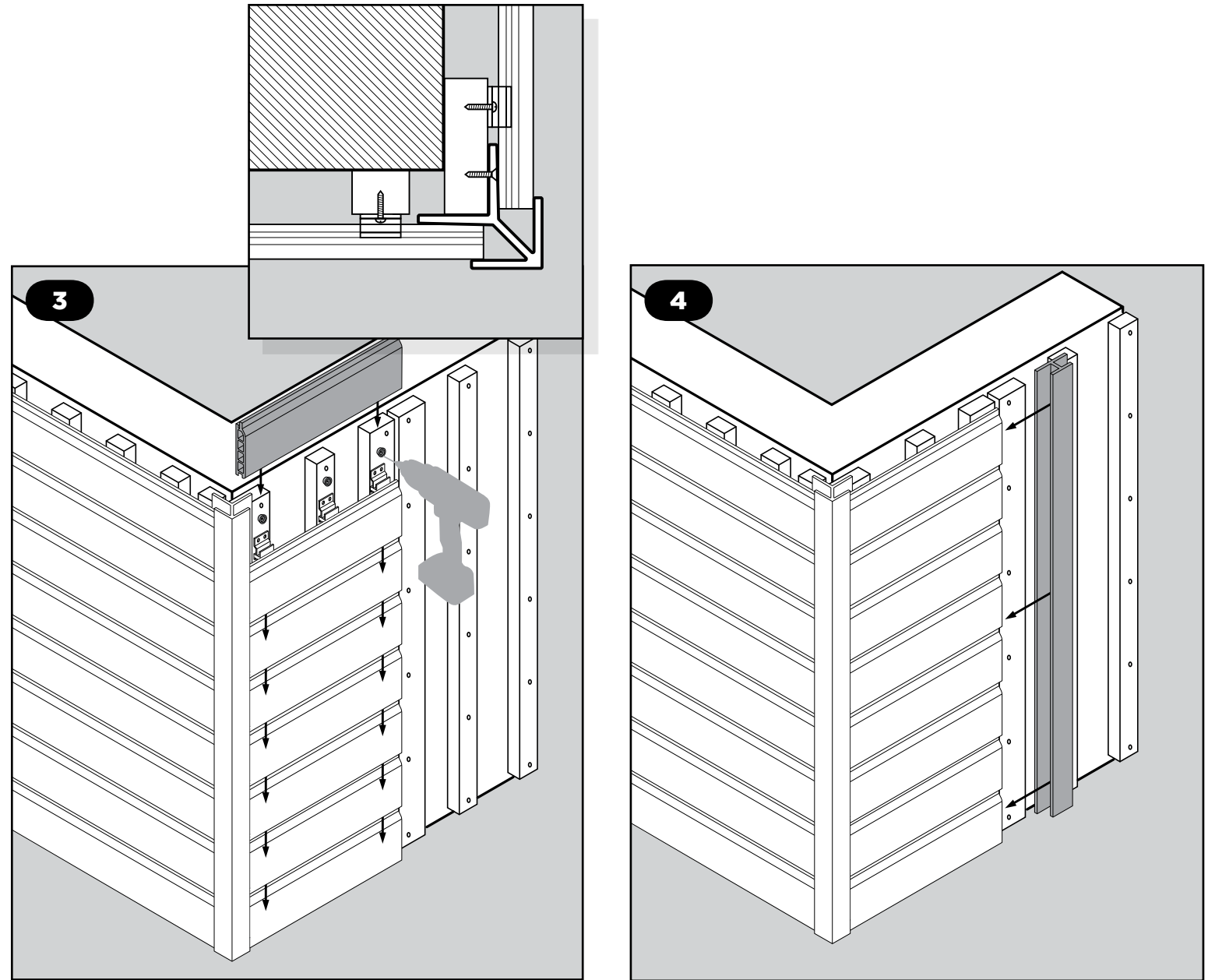


1. Drill pilot holes in the starter strip and screw it in place ensuring that it is level.
2. Fit spacer buttons as shown in Fig.1 **as required.**
3. Fit the cladding board in place as shown in Fig.1 with the corner end positioned inside the trim.
4. Using the fixing clip, secure the board in place as shown in Fig.2.

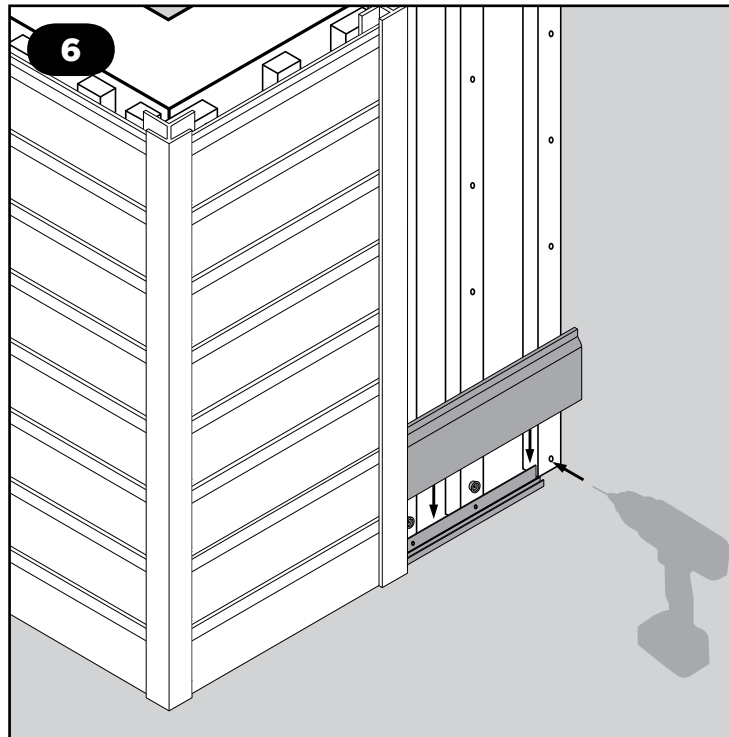
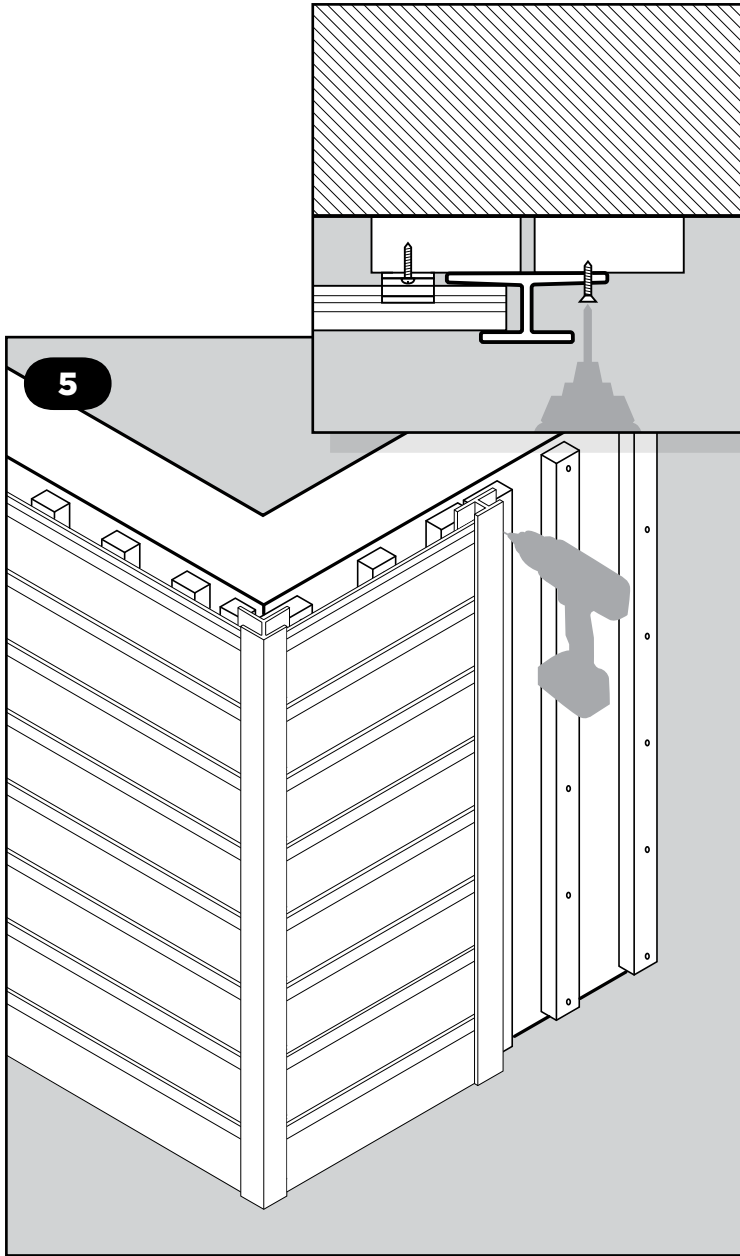
HORIZONTAL INSTALLATION METHOD 1

5. Repeat steps 3 to 4 as required and as shown in Fig.3.

6. Push the I-shaped joining trim behind the cladding boards ensuring that it is level. Fig.4.



HORIZONTAL INSTALLATION METHOD 1

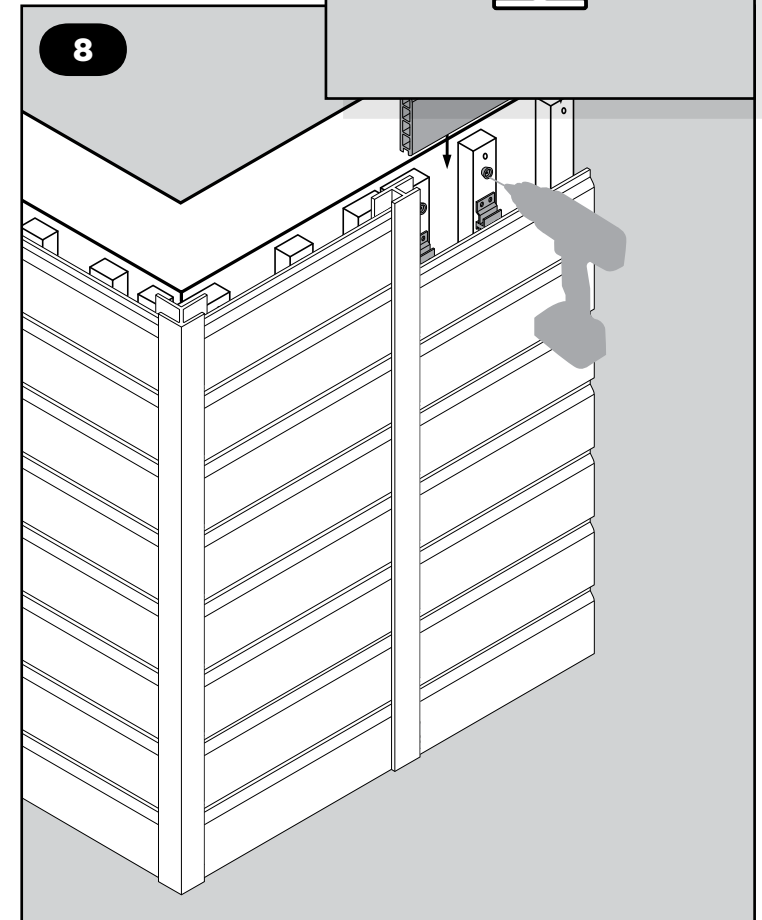
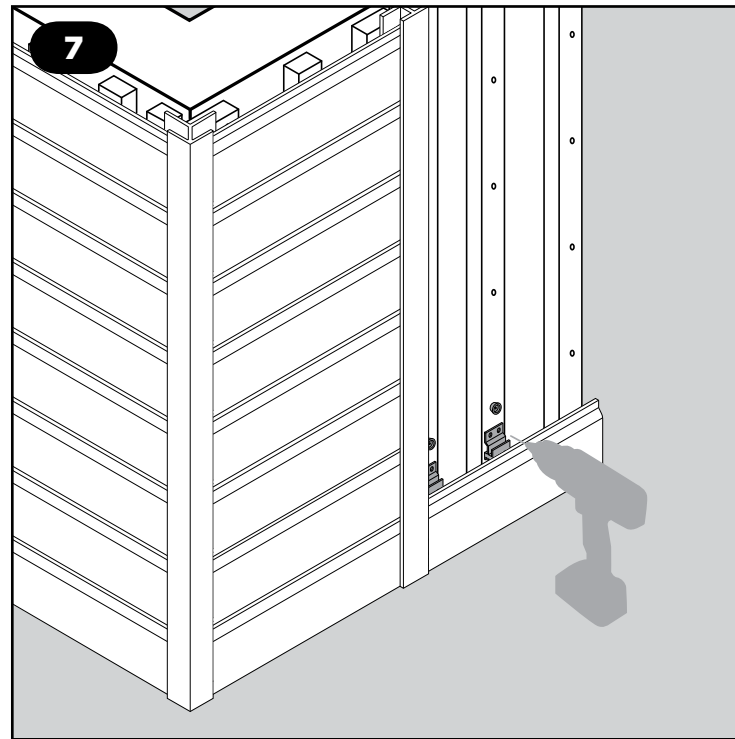


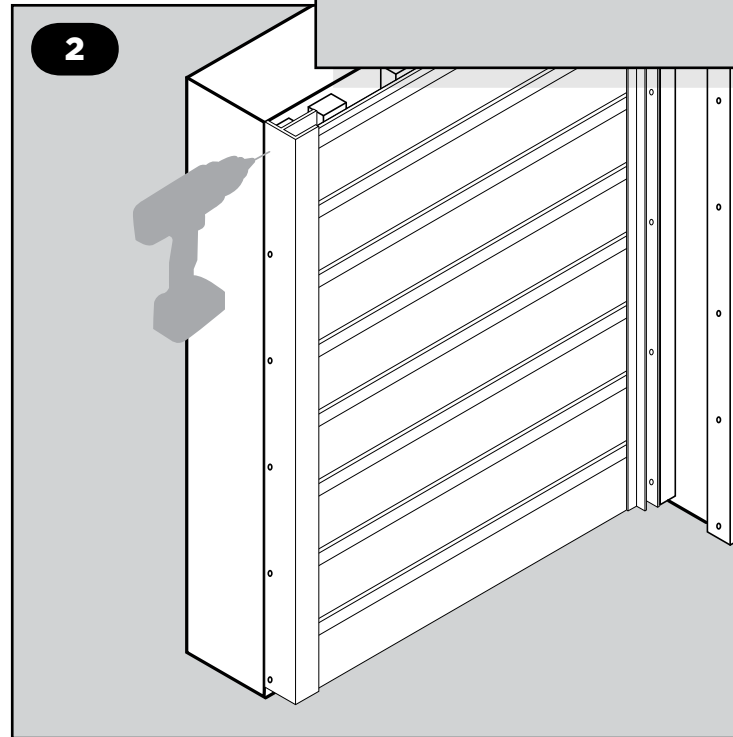
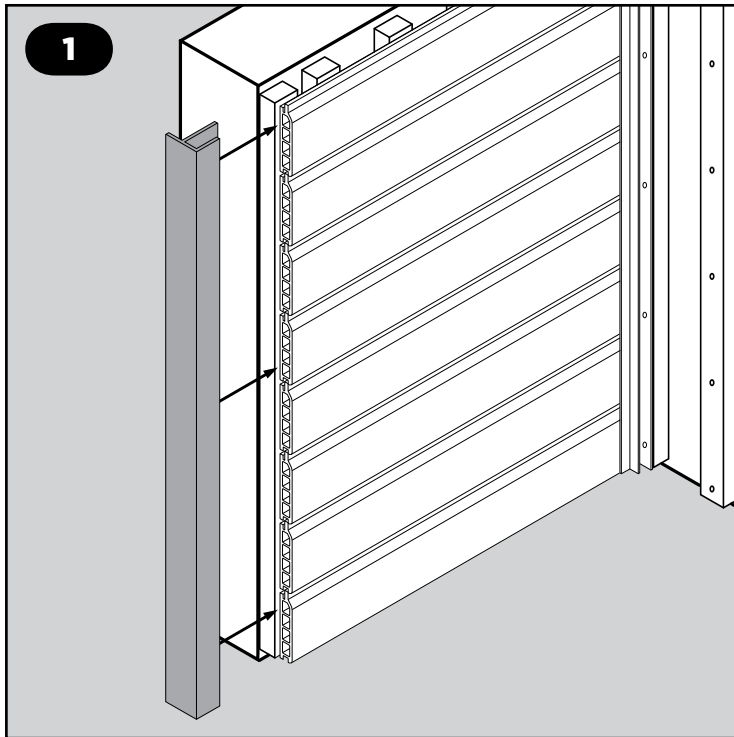
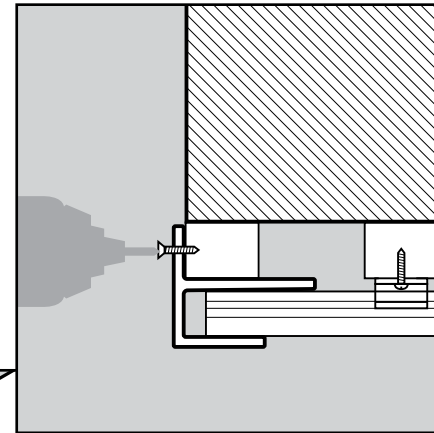
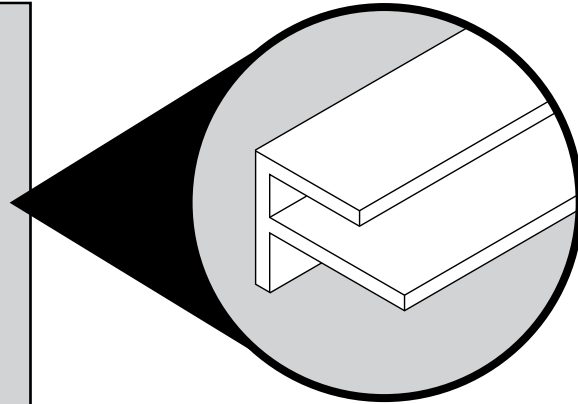
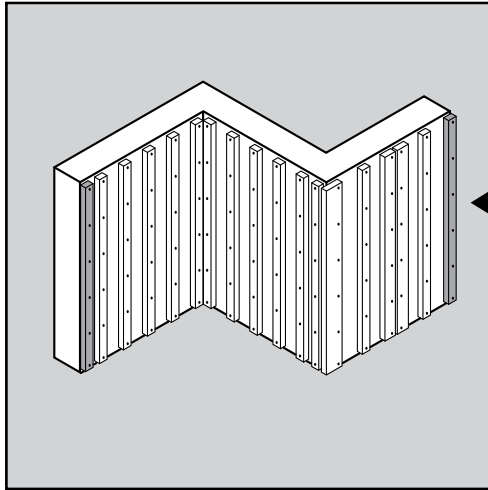
7. Screw the trim in place as shown in Fig.5.

8. Repeat steps 1 to 4 to install the bottom cladding board in this section.

HORIZONTAL INSTALLATION METHOD 1

8. Repeat steps 3 to 4 of the fitting process if required.





4. Installing the F-shaped End Trim

Measure the length of trim required and cut the trim to the required size.

Pre-drill all the holes in the trim. The maximum recommended distance between the holes should be 600mm. Ensure you drill the correct size holes to suit the screws that you are going to use. Countersunk head screws are recommended.

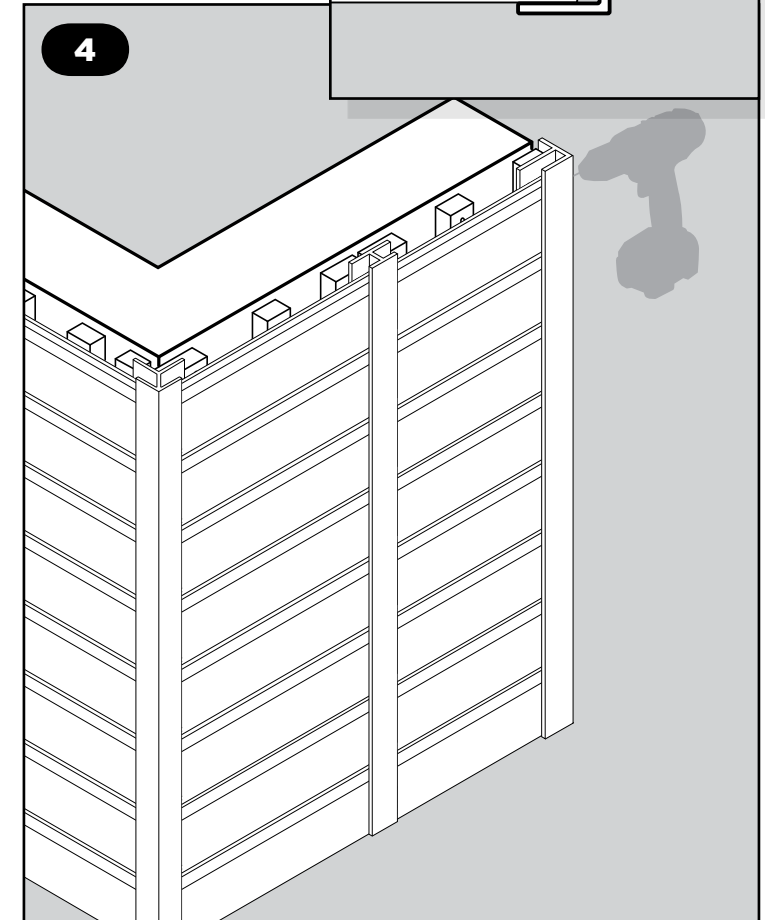
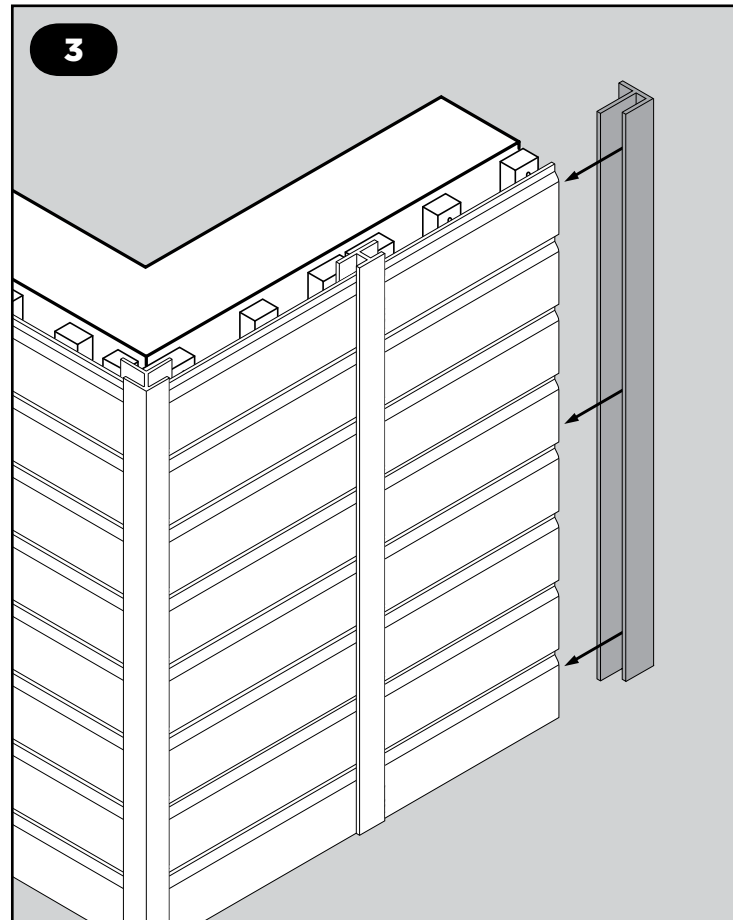
1. Push the F-shaped end trim behind the cladding boards ensuring that it is level. Fig.1.
2. Screw the trim in place as shown in Fig.2.

Top Finishing

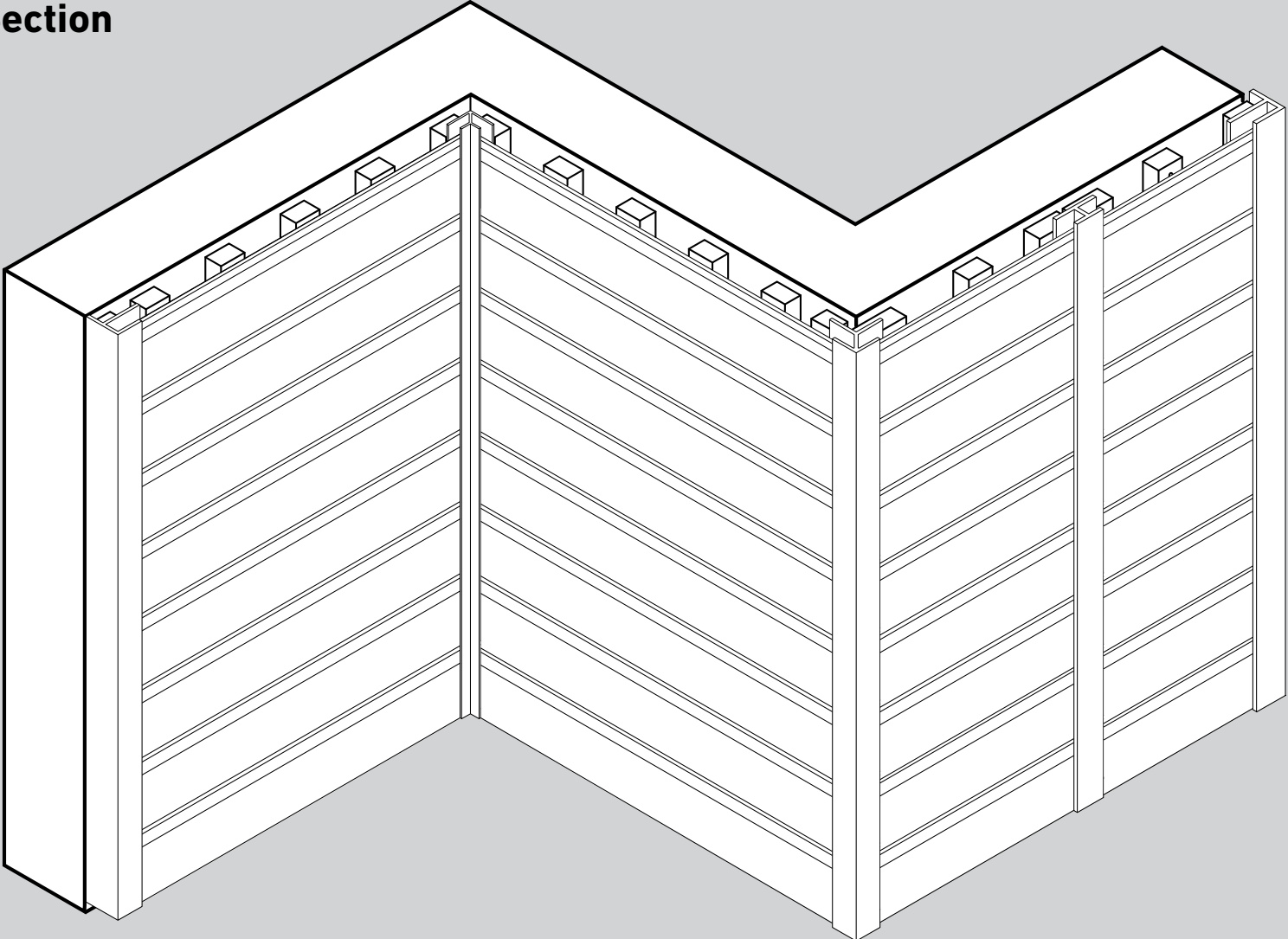
If this is required, use the F-shaped trim to finish off the top of the installation. The fixing method for the F-shaped trim is the same, placed vertically or horizontally.

HORIZONTAL INSTALLATION METHOD 1

3. Push the next F-shaped end trim behind the cladding boards ensuring that it is level. Fig.3.
4. Screw the trim in place as shown in Fig.4.



Finished Section



HORIZONTAL INSTALLATION METHOD 2

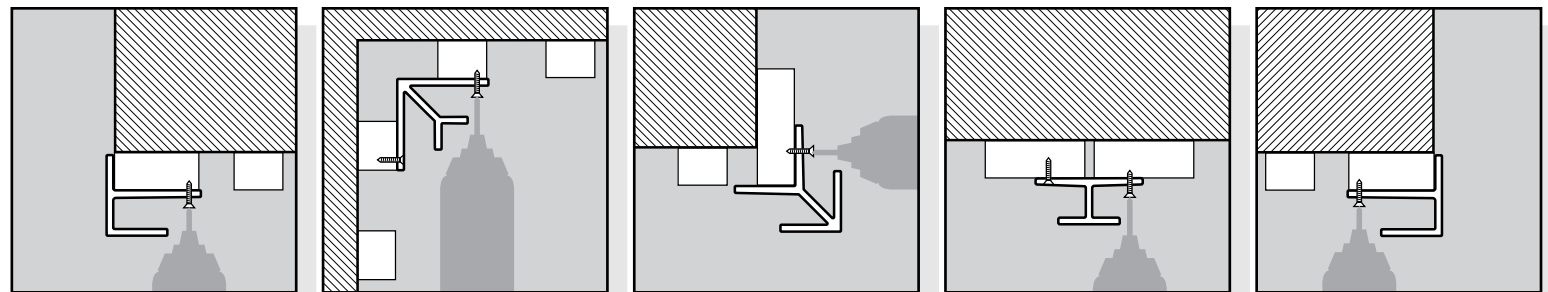
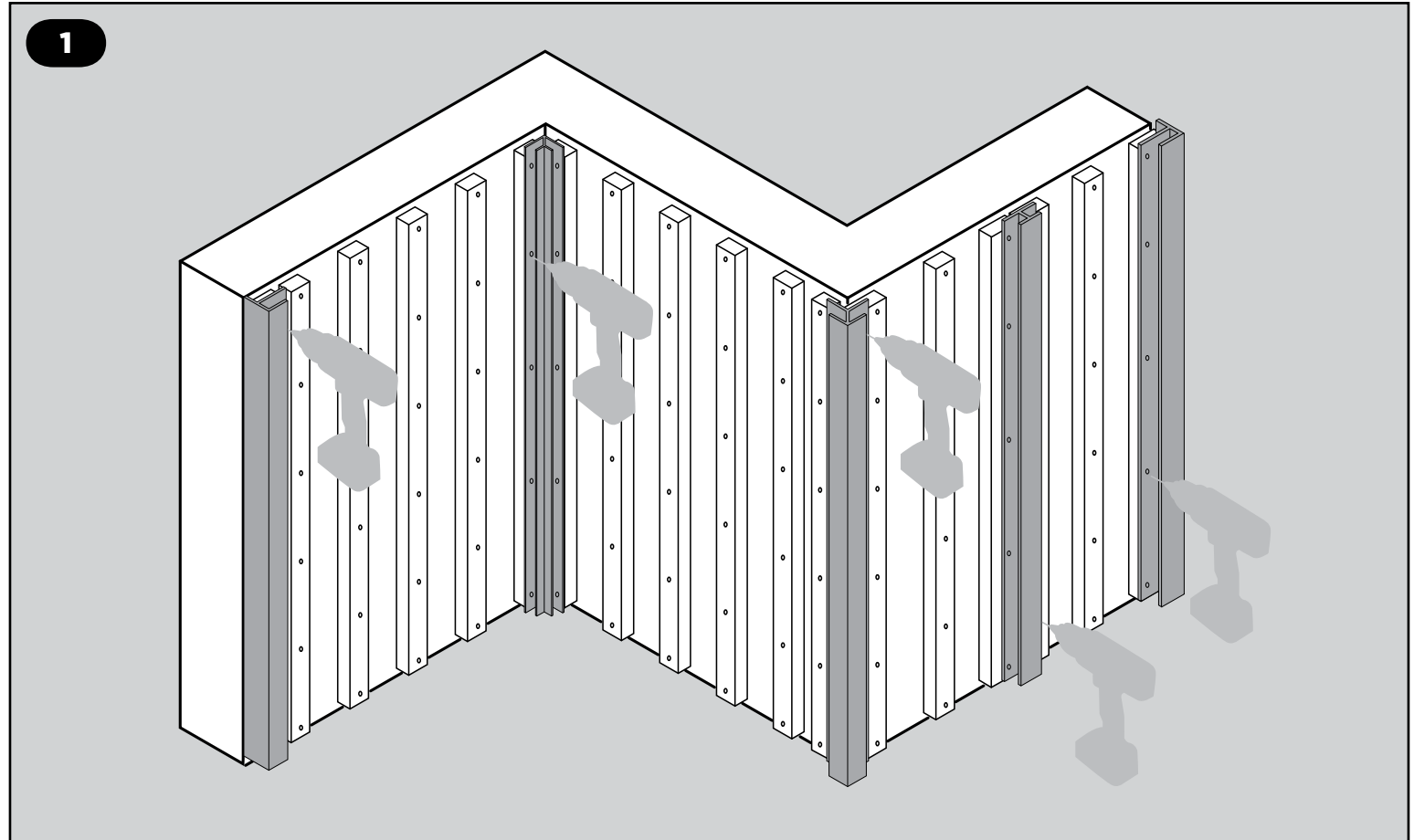
Installing all the Trims First

This method allows for the trim fixings to be concealed.

Measure the length of trim required and cut the trim to the required size.

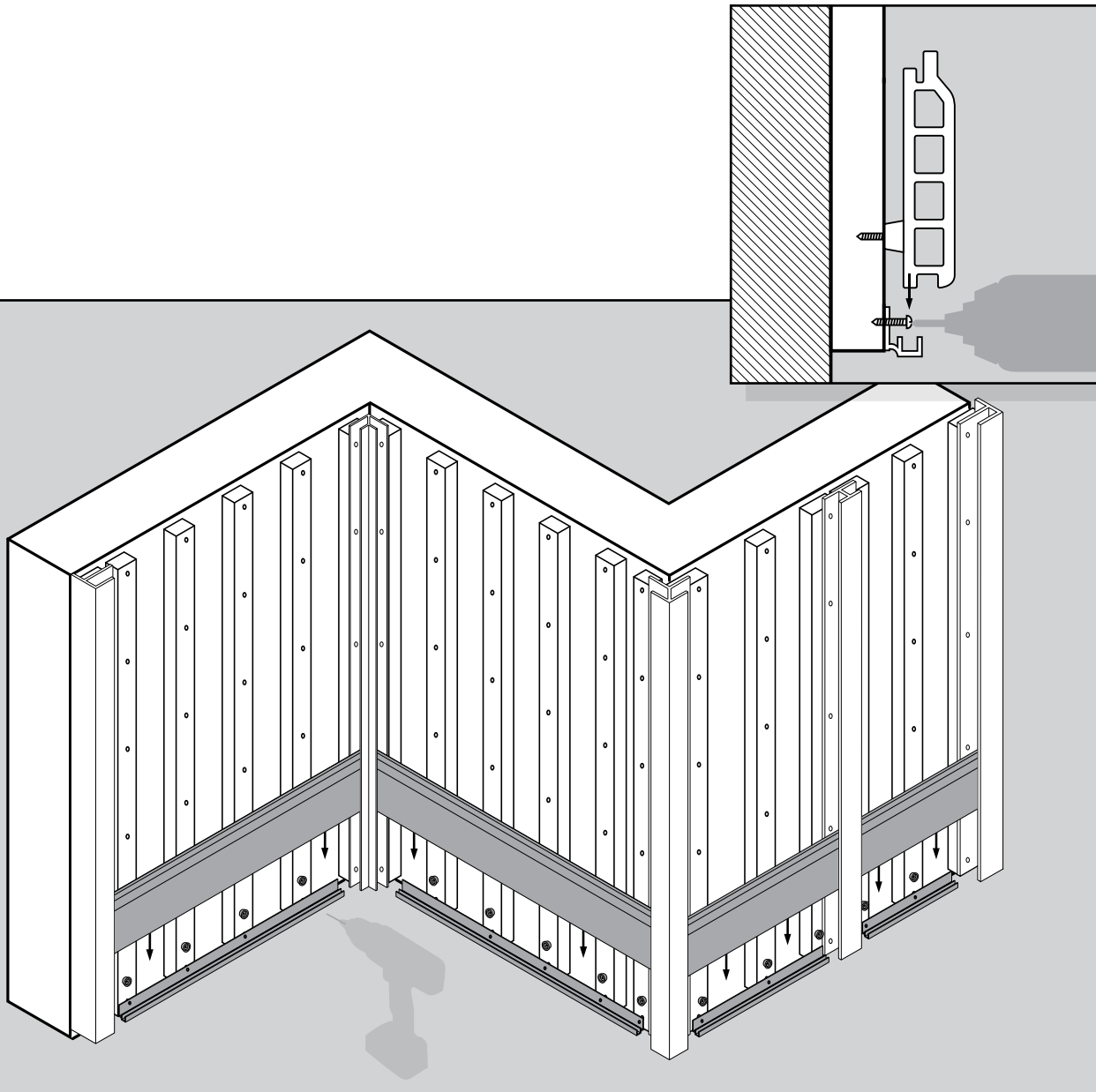
Pre-drill all the holes in the trim. The maximum recommended distance between the holes should be 600mm. Ensure you drill the correct size holes to suit the screws that you are going to use. Countersunk head screws are recommended.

1. Place the trims in position and using a spirit level ensure that they are fitted straight and level. Proceed by screwing them to the battens using the respective screws.



HORIZONTAL INSTALLATION METHOD 2

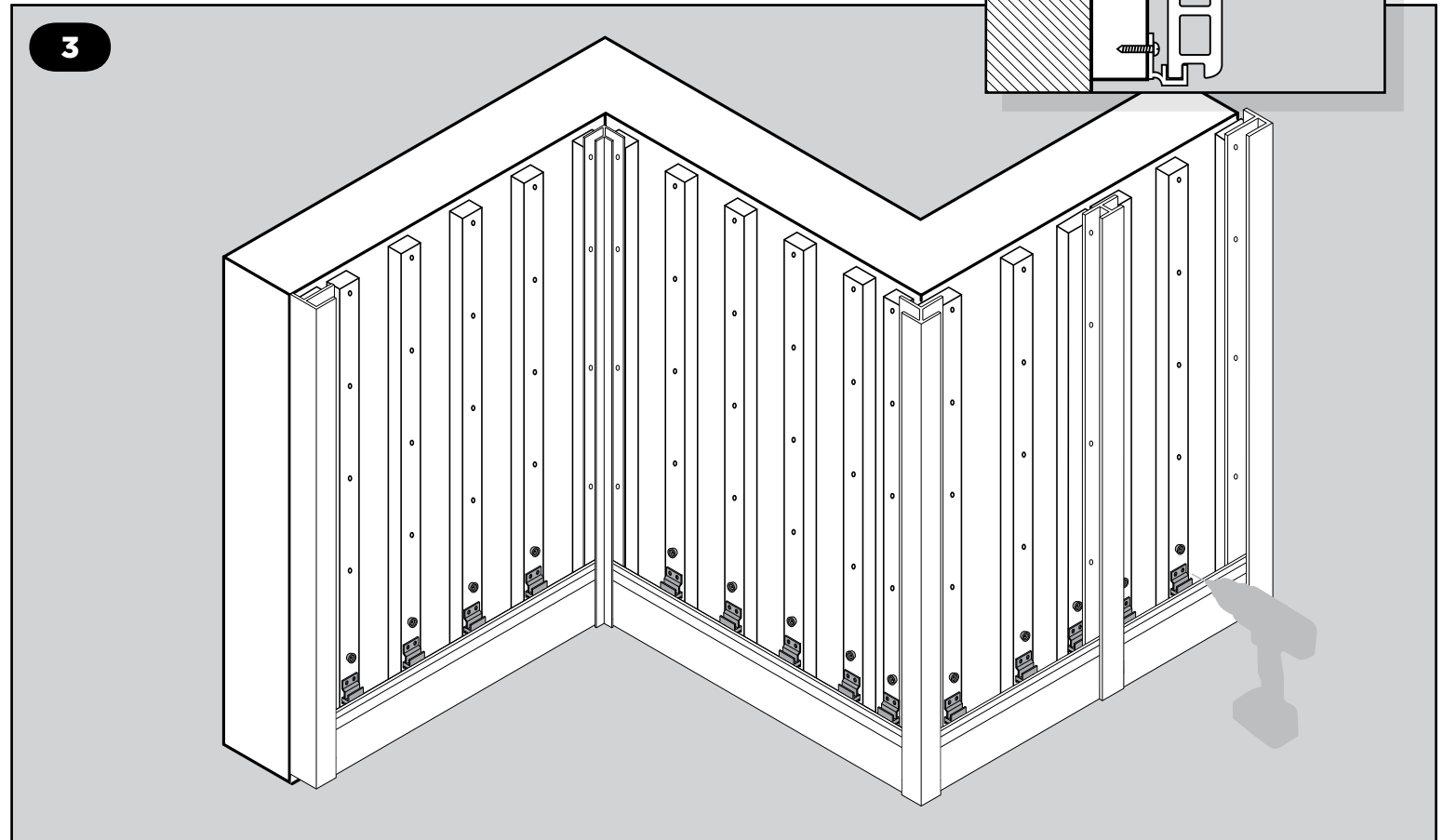
2



2. Drill pilot holes in the starter strips and screw them in place ensuring that they are level.
3. Fit spacer buttons as shown in Fig.2 **as required.**
4. Fit the cladding board in place as shown in Fig.2.

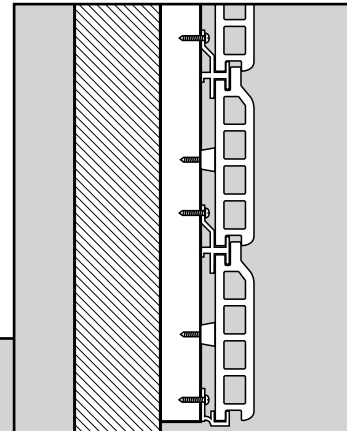
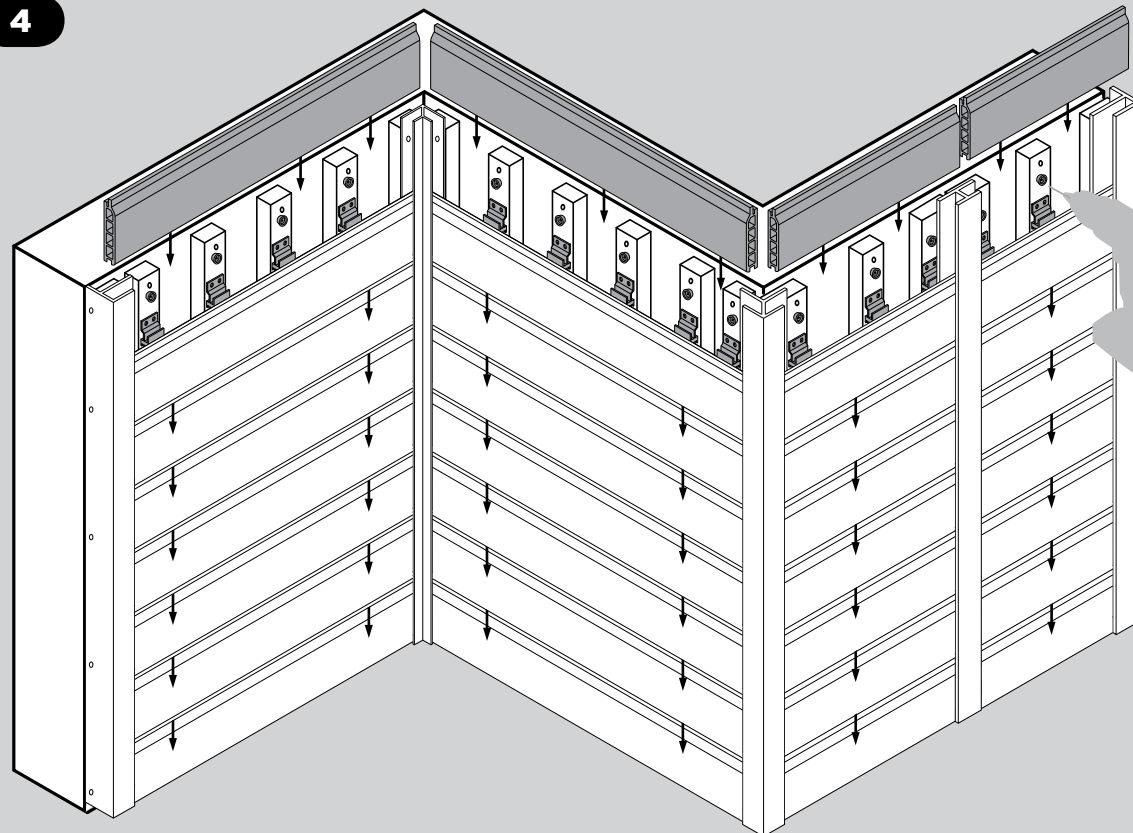
HORIZONTAL INSTALLATION METHOD 2

5. Using the fixing clips, secure the board in place.



HORIZONTAL INSTALLATION METHOD 2

4



6. Repeat the process for the rest of the 4 cladding boards.

IMPORTANT NOTES - READ BEFORE STARTING VERTICAL INSTALLATION

Before starting any work, we recommend that you read these instructions and familiarise yourself with all the components, the options available and the method of installation that you are going to use. All diagrams and instructions in this guide are for illustration purposes and are not meant or intended to replace a professional installer. Any work undertaken with Composite Prime® products must be in accordance with any building regulations required. The consumer assumes all risks and liability that may or may not be associated with the use of this product.

SAFETY

Prior to commencing any construction work ensure that you have the appropriate safety wear and equipment to avoid any risk of injury.

TOOLS

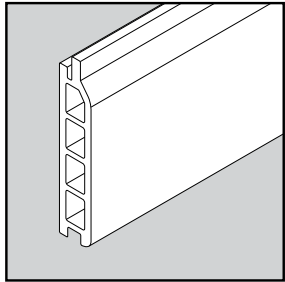
Woodworking tools may be used. We recommend that any cutting blades used have a carbide tip. We recommend all screws and fixings to be stainless steel or adequately coated and fit for outdoor use.

CONSTRUCTION

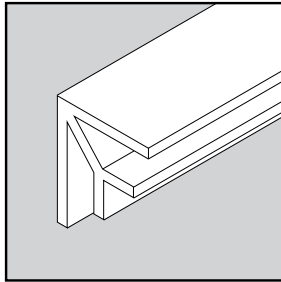
HD Clad Pro™ cannot be used as a primary load bearing structure. We recommend that prior to any work, a plan of the work is done to ensure the best possible looking cladding for your project and to ensure that you have all the required components to enable you to complete the installation. Door and window apertures should be finished off with the appropriate trims to suit the respective installation.

INSTALLATION

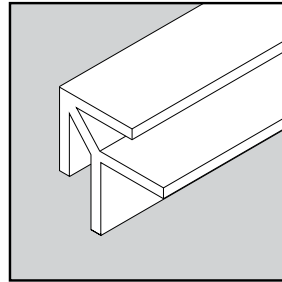
There are various ways that *HD Clad Pro™* can be installed. This installation guide gives an overview of some typically used methods and installation guidelines.



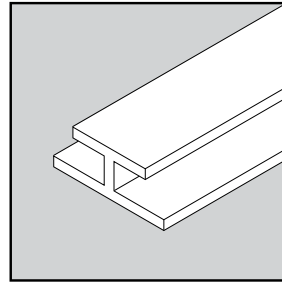
Cladding board



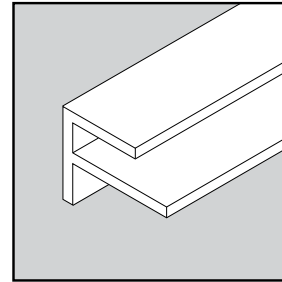
Inside corner trim



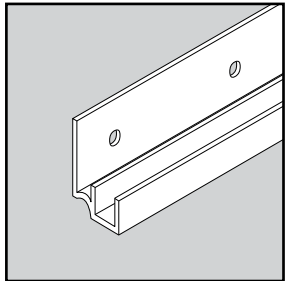
Outside corner trim



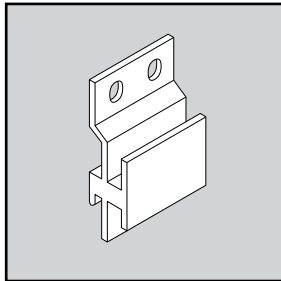
Joining trim I-shaped



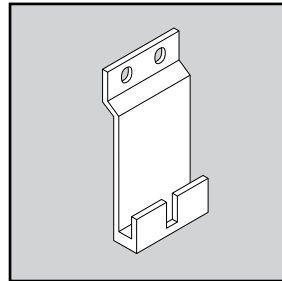
End trim F-shaped



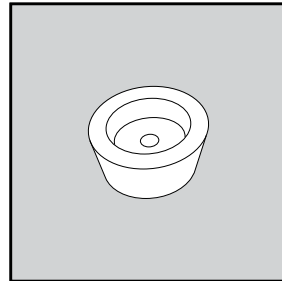
Starter strip
(For horizontal installation)



Fixing clip



Starter clip



Spacer button

Parts

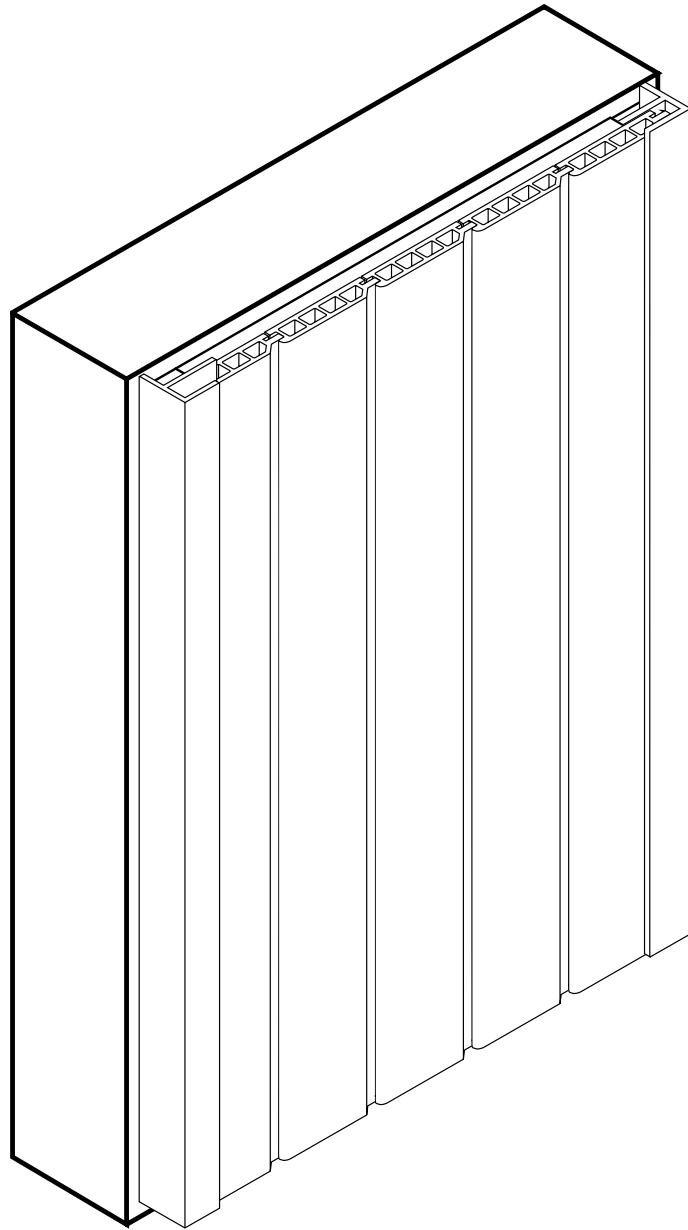
HD Clad Pro™ cladding system offers a number of components to enable you to install your cladding successfully.

Cladding board	(3600x136x22mm)
Inside corner trim	(3600x69x69mm)
Outside corner trim	(3600x45x45mm)
Joining trim I-shaped	(3600x45x35mm)
End trim F-shaped	(3600x45x60mm)

Starter strip	(1250mm)
Fixing clip	
Starter clip	
Spacer button	

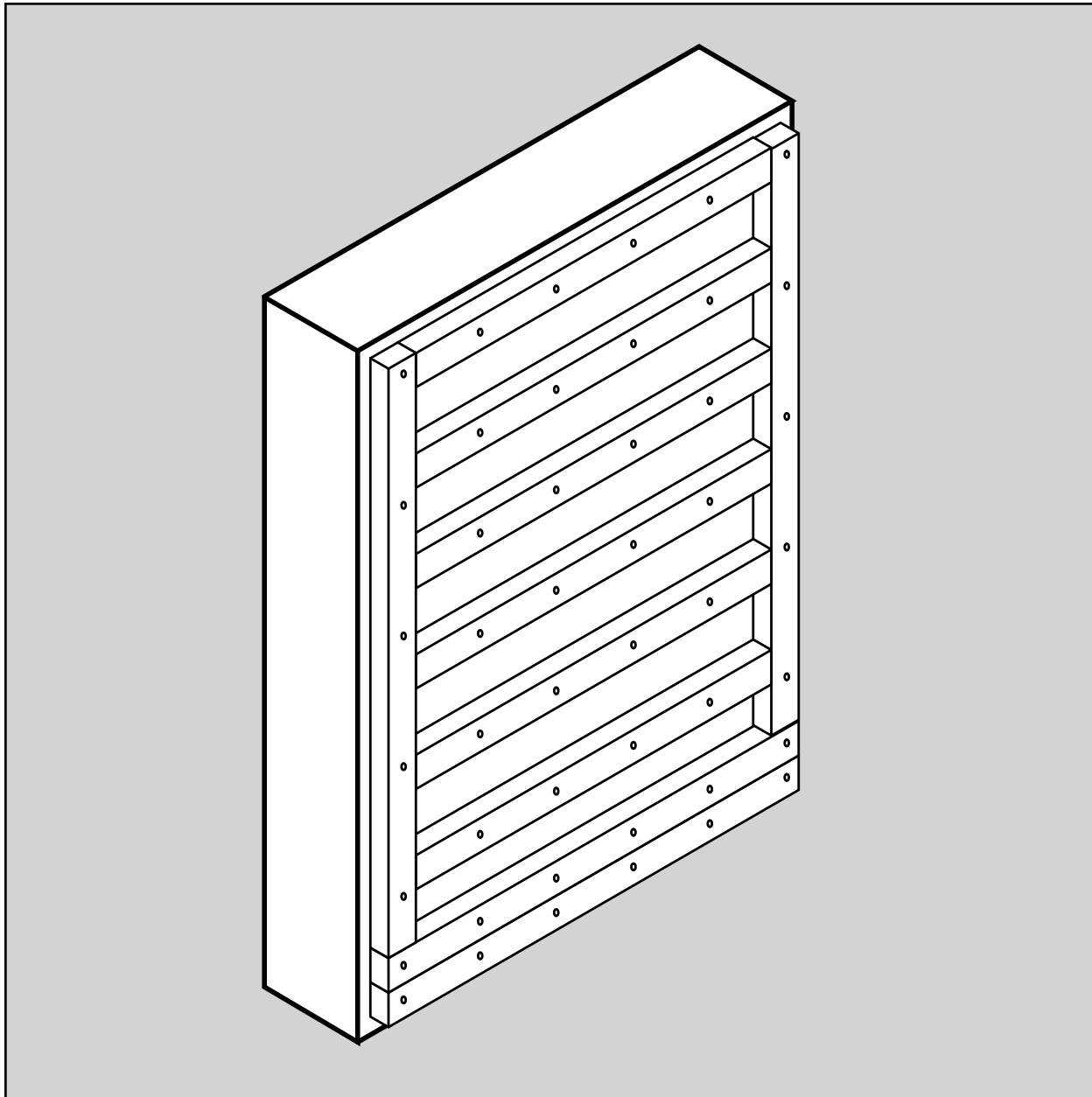
Recommended battens:

Timber battens	25x50mm (thickness x width)
Aluminium battens	18x60mm (thickness x width)



Vertical Installation

HD **CLAD**[™] **PRO**

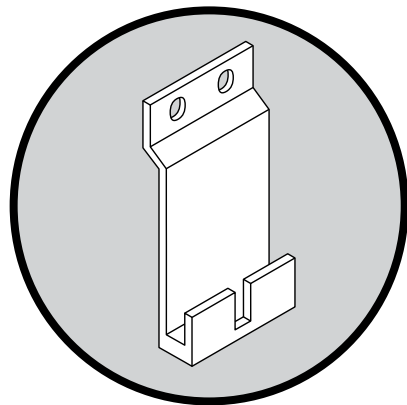


Framing

The following sequence of diagrams show how you will go about fitting your battens. On all corners, inside and outside corners, ensure that your battens are butted up together so as to create adequate fixing points for the respective trims. A double width batten will also be required at the bottom. The frame will need to be completely level before the installation of the cladding boards can commence.

Recommended battens:

Timber battens	25x50mm (thickness x width)
Aluminium battens	18x60mm (thickness x width)

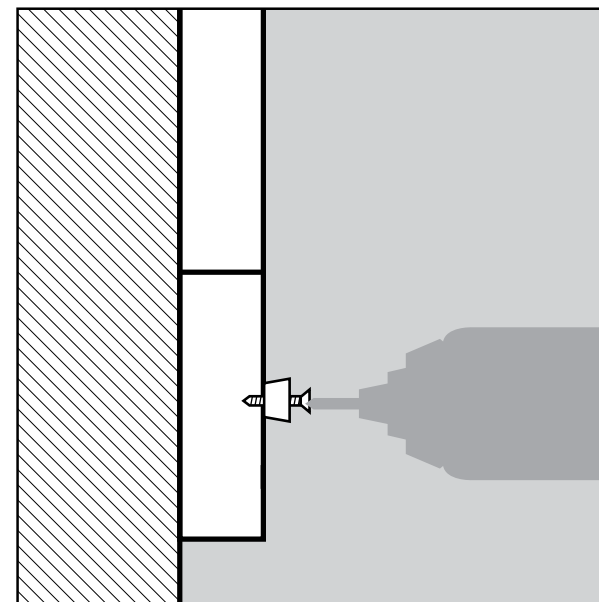
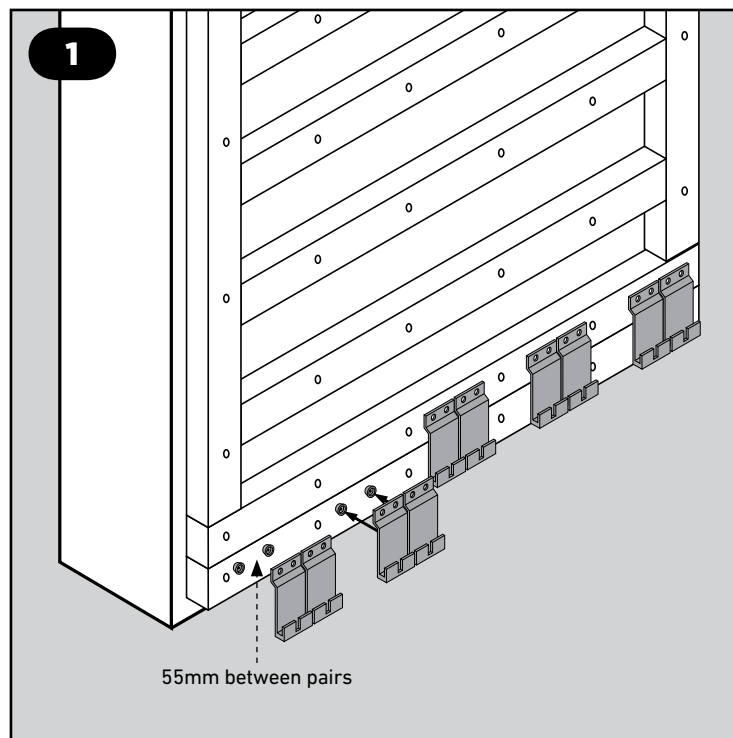


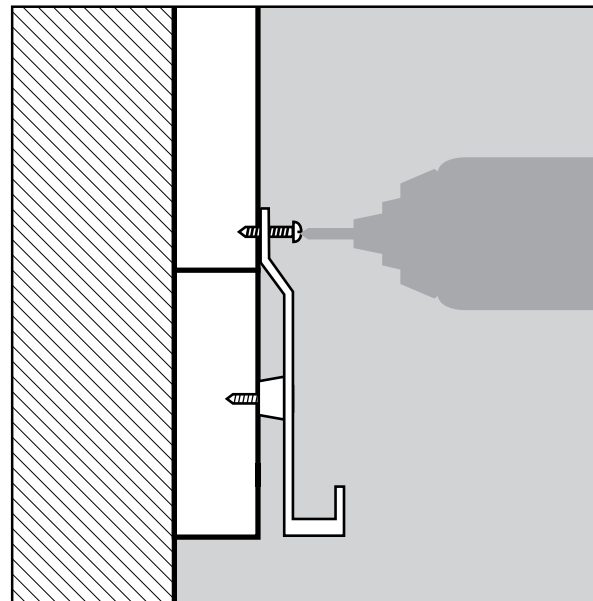
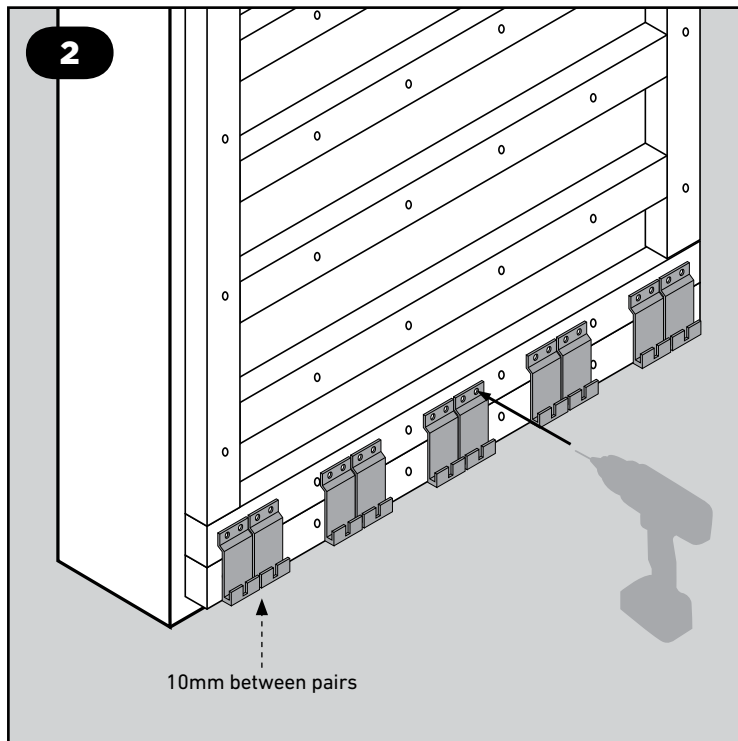
Using just the Starter Clips

You will require two starter clips and two spacer buttons per board.

The starter clips are designed to fit into the profile of the board.

1. Place the spacer button behind the starter clip (as shown in Fig.1) and screw to the batten. Allow approximately 55mm between pairs of spacer buttons.
2. Repeat this process for all the required spacer buttons, as shown in Fig.1, ensuring that they are all level.

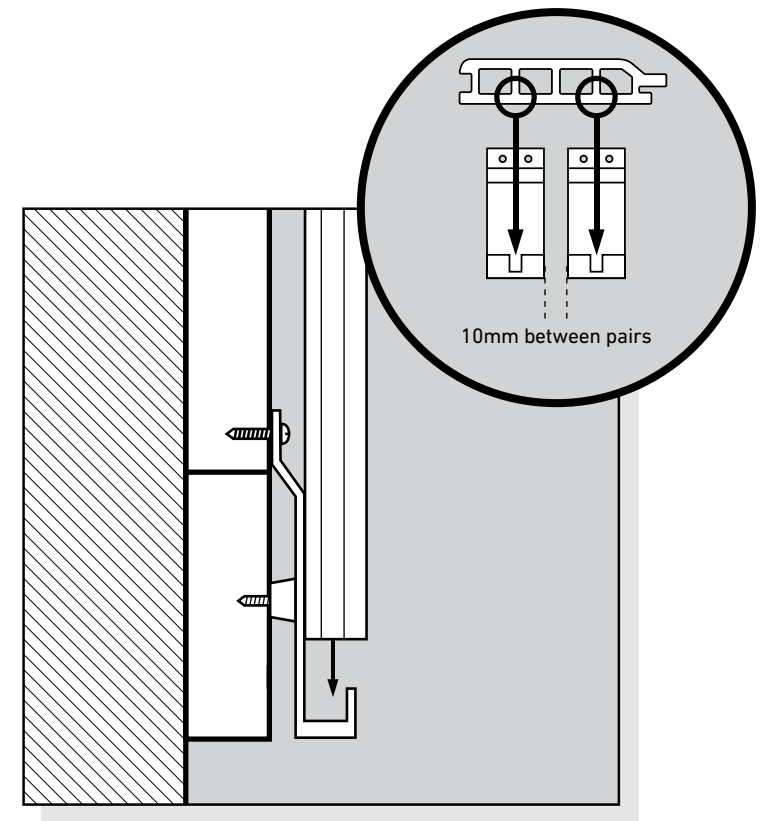
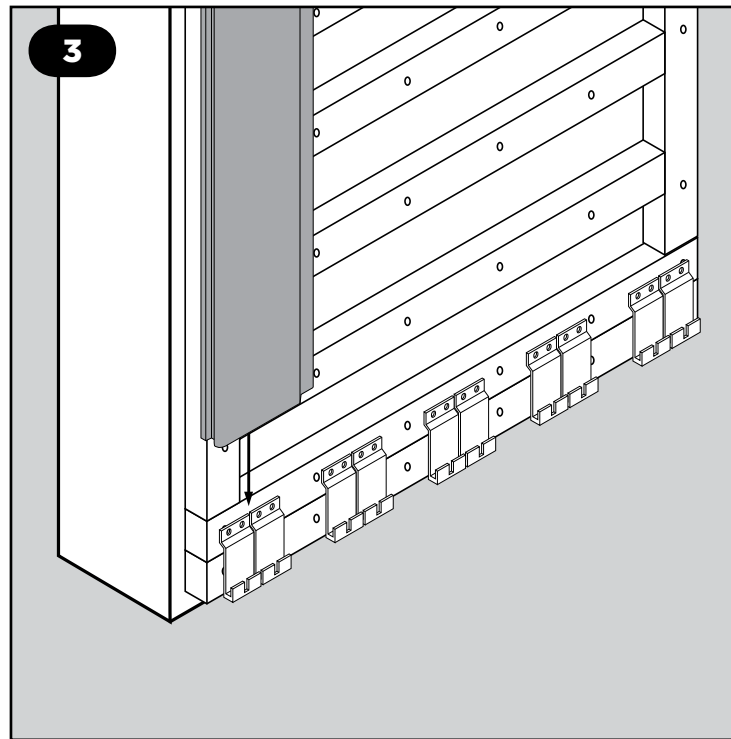


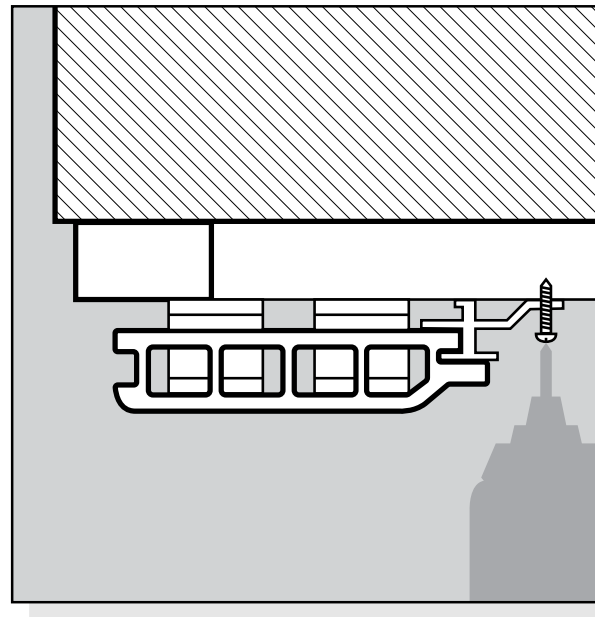
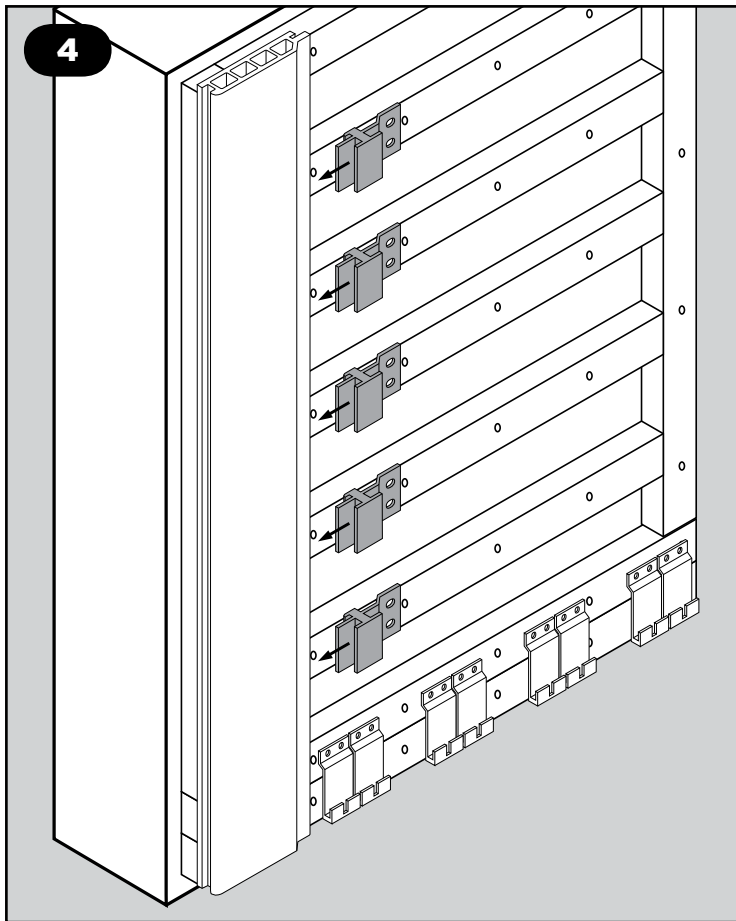


3. Now screw the starter clips in position using the two top screw holes and the screws provided, as shown in Fig.2. Maintain a 10mm gap between pairs of starter clips.
4. Repeat for all the required starter clips.

VERTICAL INSTALLATION METHOD 1

6. Position the first cladding board into the starter clips, as shown in Fig.3 and ensure that the board is level with the edge and that it is vertically level / straight.

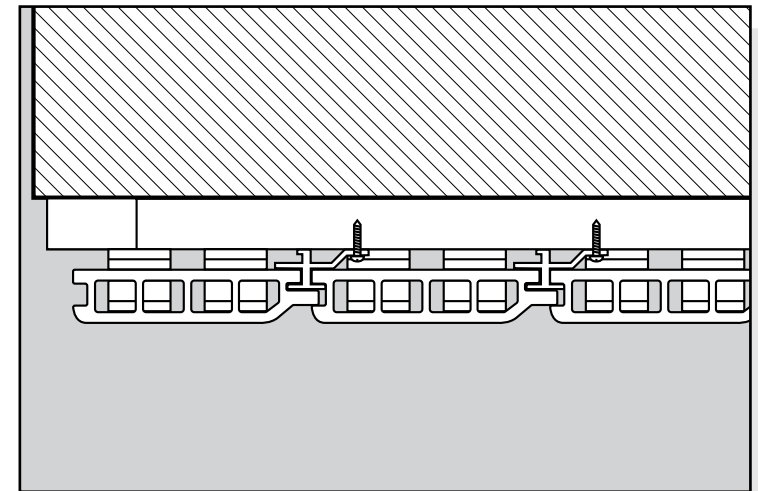
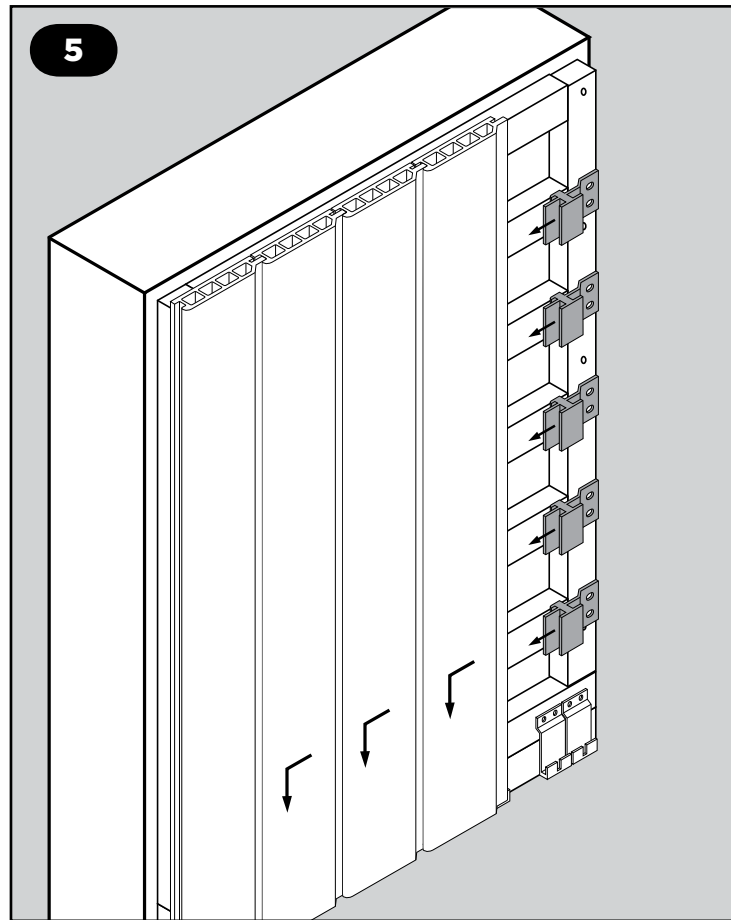


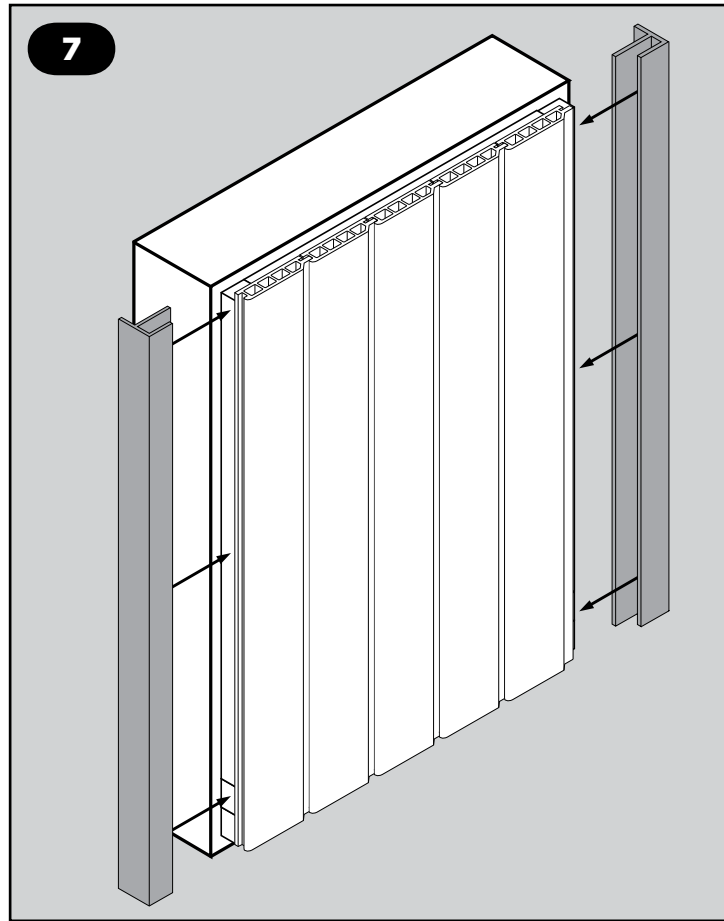
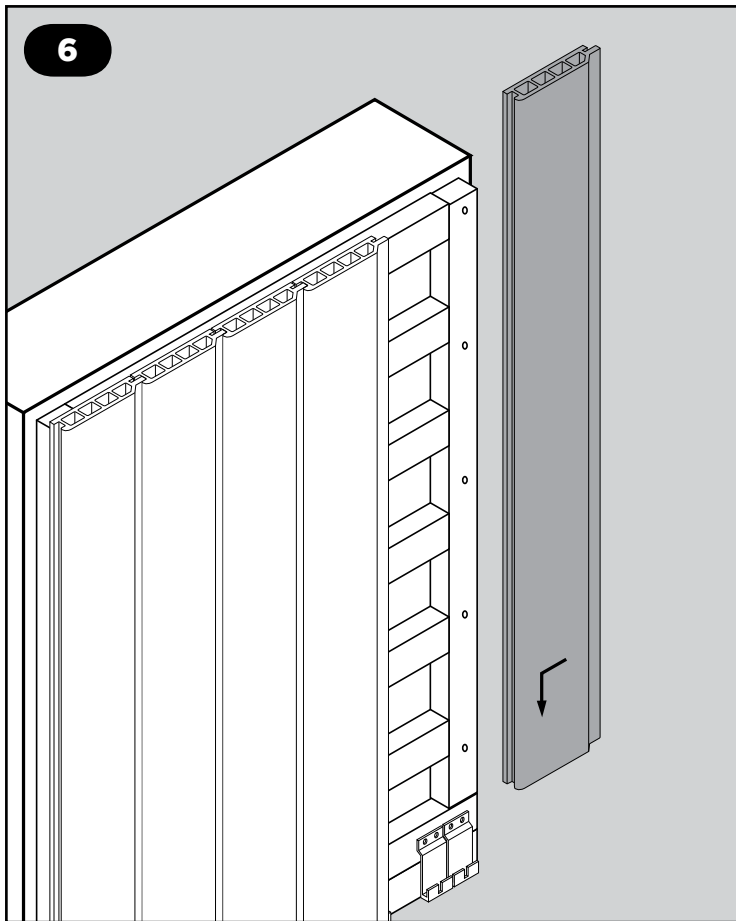


7. Secure the fixing clips into the cladding board as shown in Fig.4 (these just push into place).
8. The recommended distance between the fixing clips is 400mm.
9. Ensure that the cladding board is level and straight.
10. Using the screws provided fasten the clips to the battens as required.

VERTICAL INSTALLATION METHOD 1

11. To install the additional cladding boards, position the cladding board vertically and push into the adjacent cladding board and fixing clips.
12. Now push the board down onto the starter clips.
13. Repeat steps 11 and 12 for every additional cladding board.





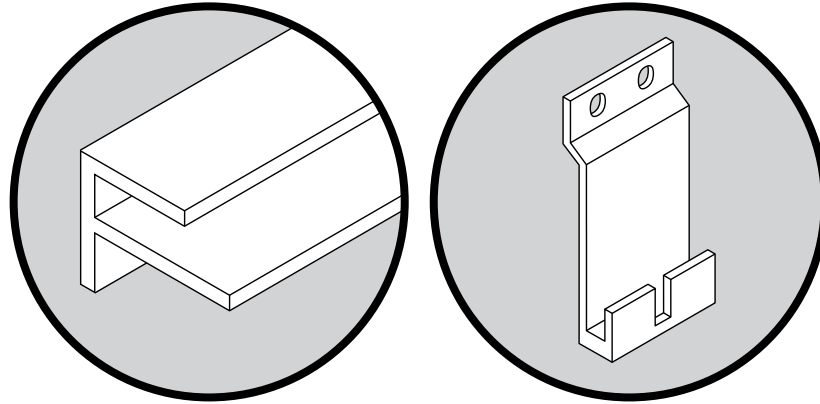
Using the F-shaped end trim if you need to finish off the cladding installation.

14. Insert the F-shaped end trim by pushing it over the respective cladding board, as shown in Fig.7 and secure in place as required.

Top Finishing

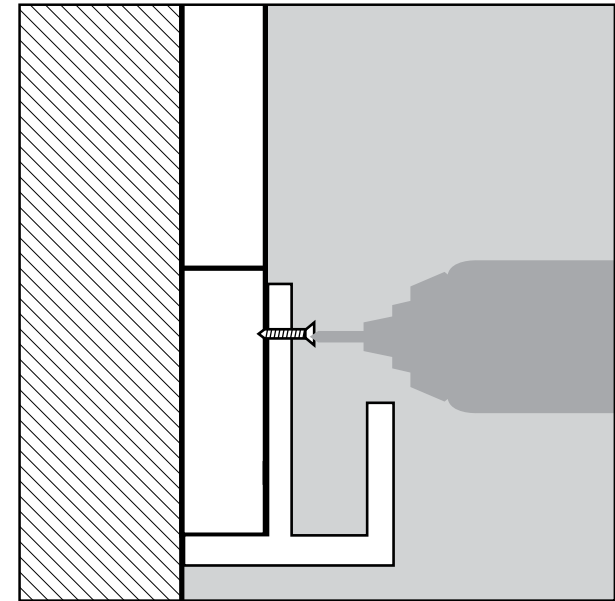
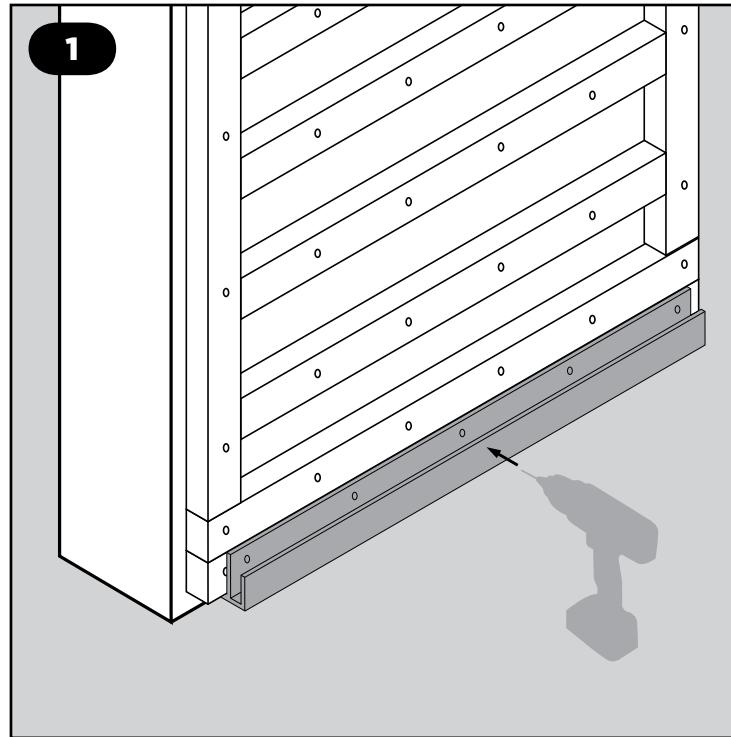
If this is required, use the F-shaped trim to finish off the top of the installation. The fixing method for the F-shaped trim is the same, placed vertically or horizontally.

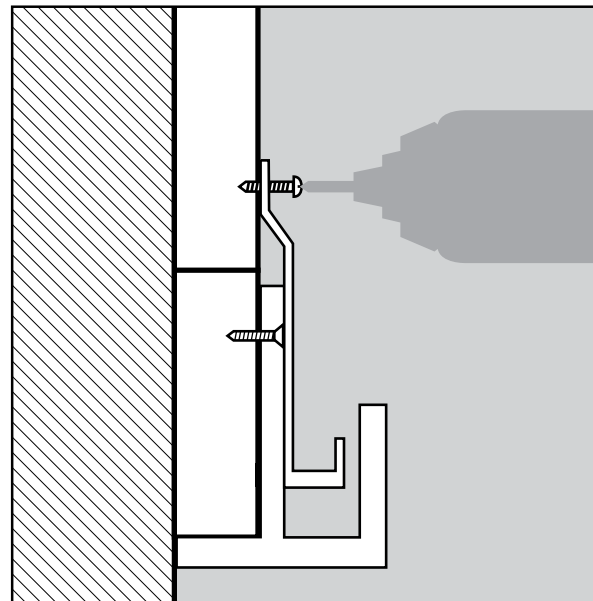
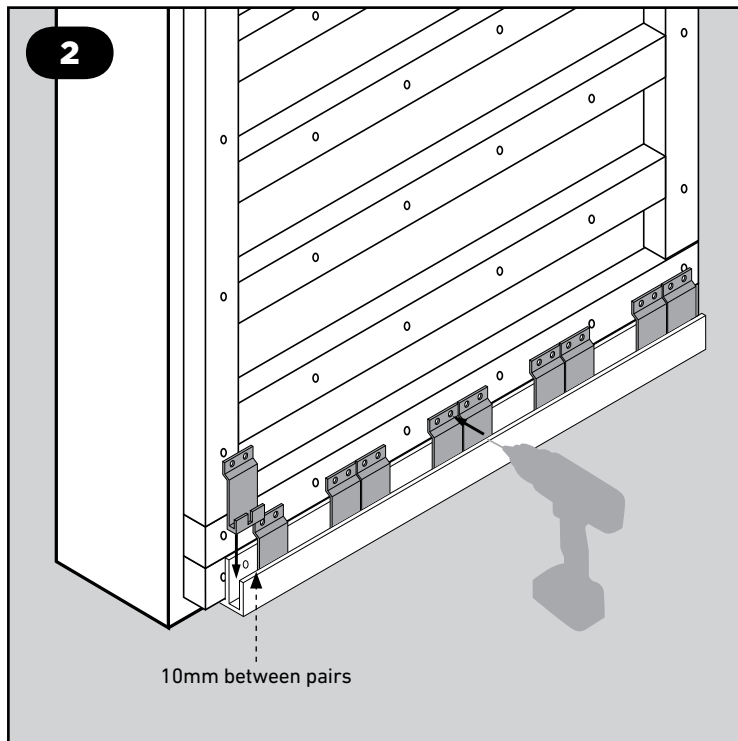
Using the F-shaped End Trim with the Starter Clips



The F-shaped end trim can be used as a finishing trim if required. You will require two starter clips per board. The starter clips are designed to fit into the profile of the board.

1. Measure the length of trim required and drill pilot holes.
2. Screw the trim into the required position ensuring that the trim is level, as shown in Fig.1.

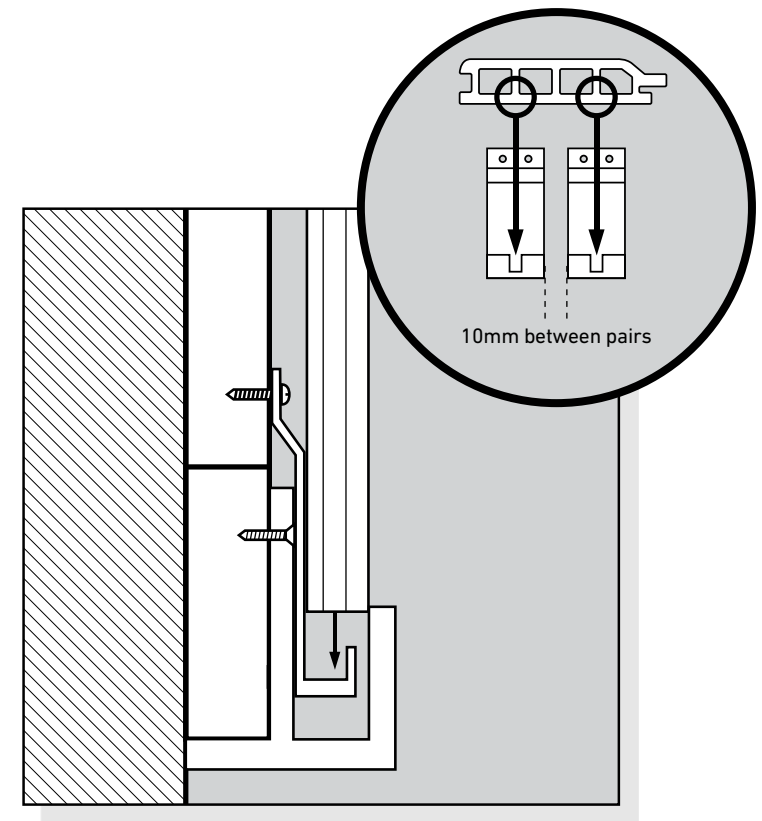
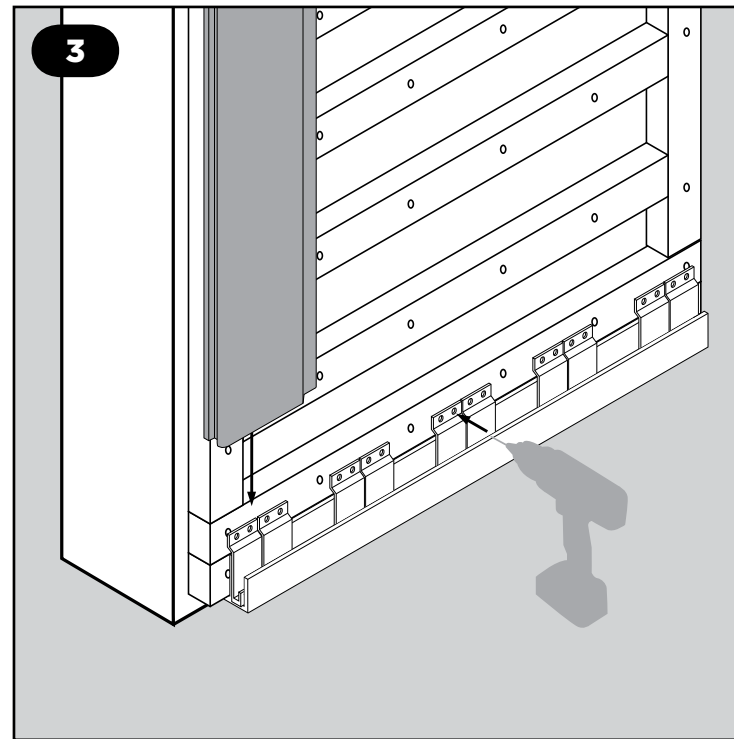


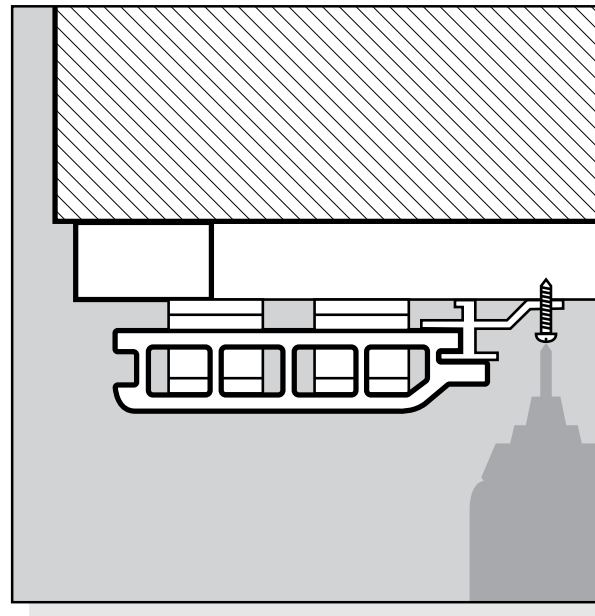
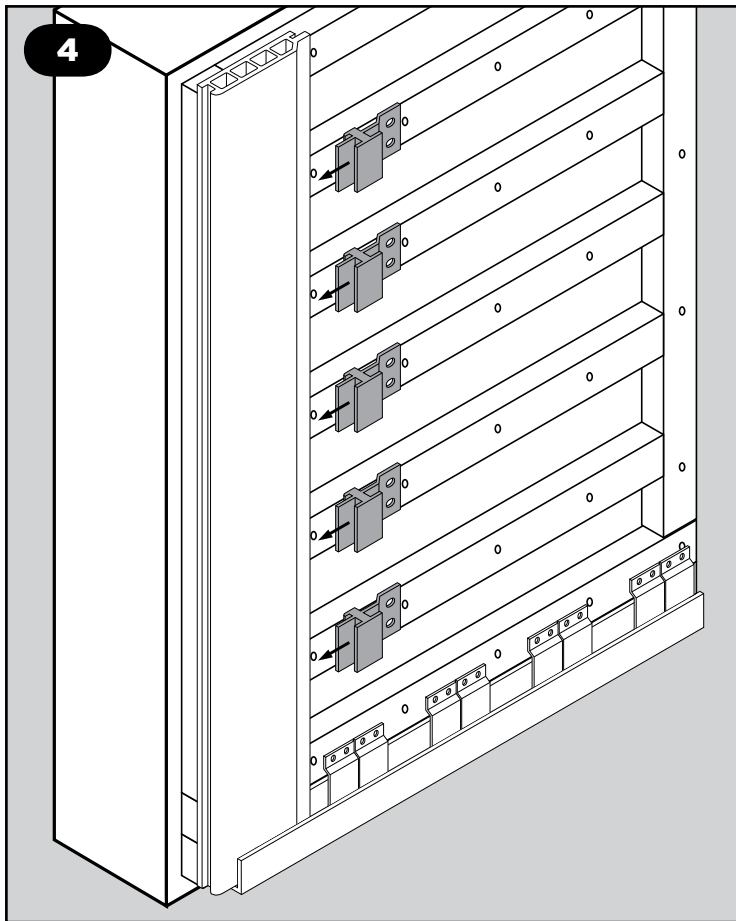


3. Place the starter clip into the F-shaped end trim (as shown in Fig.2) and screw to the horizontal batten in the appropriate position (two clips per cladding board will be required). Maintain a 10mm gap between pairs of starter clips.
4. Repeat the process in Fig.2 for all the required starter clips, ensuring that they are all level.
5. Screw the starter clips in position using the two top screw holes and the screws provided.

VERTICAL INSTALLATION METHOD 2

6. Position the first cladding board into the starter clips as shown in Fig.3. Ensure that the board is level with the edge and that it is vertically level / straight.

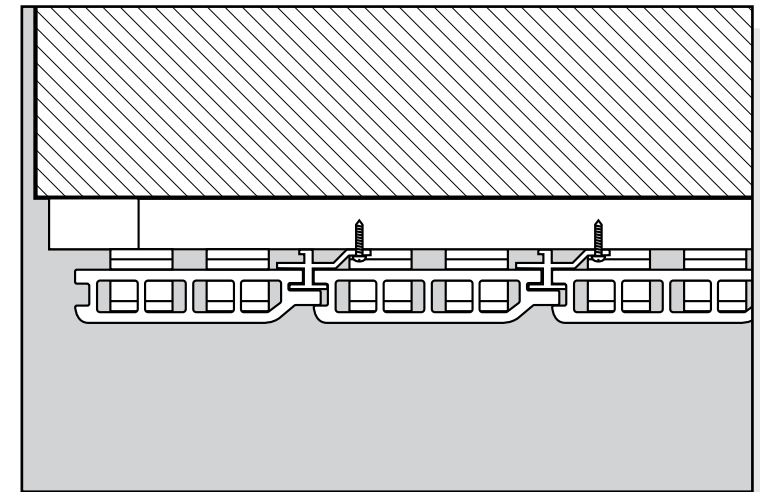
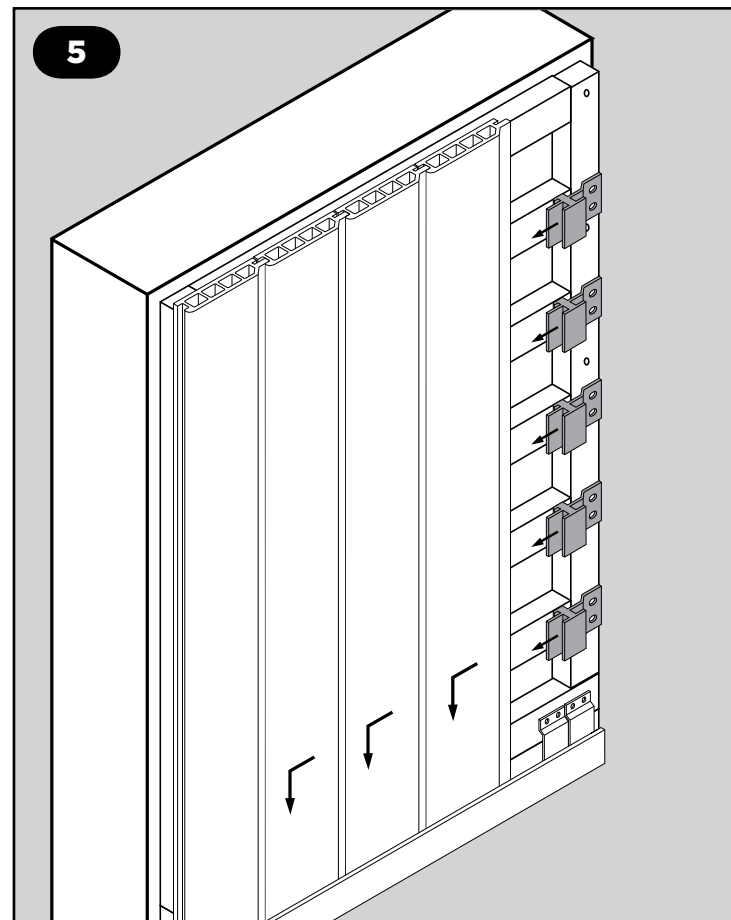


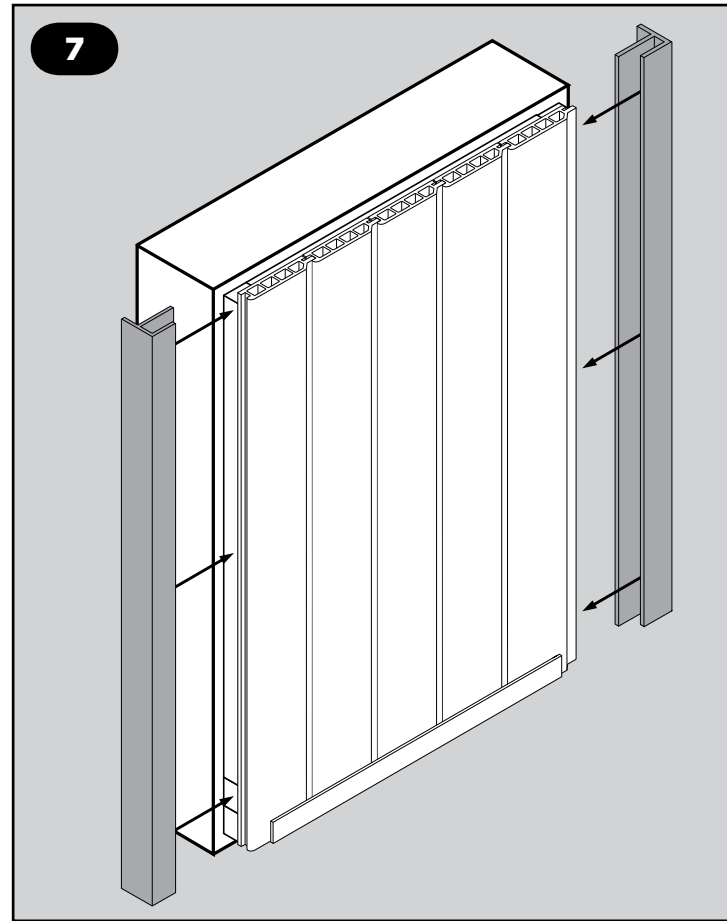
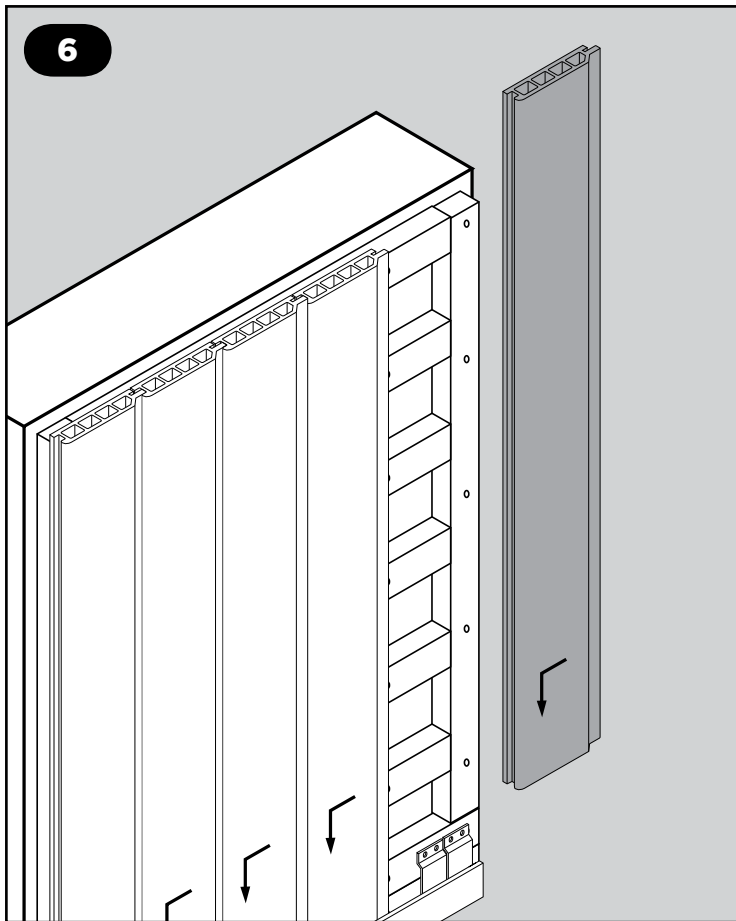


7. Secure the fixing clips into the cladding board as shown in Fig.4 (these just push into place).
8. The recommended distance between the fixing clips is 400mm.
9. Ensure that the cladding board is level and straight.
10. Using the screws provided fasten the clips to the battens as required.

VERTICAL INSTALLATION METHOD 2

11. To install the additional cladding boards, position the cladding board vertically and push into the adjacent cladding board and fixing clips.
12. Now push the board down onto the starter clips.
13. Repeat steps 11 and 12 for every additional cladding board.

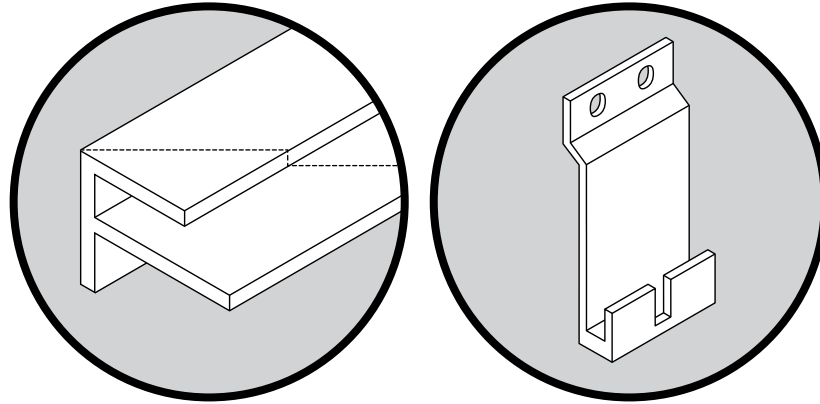




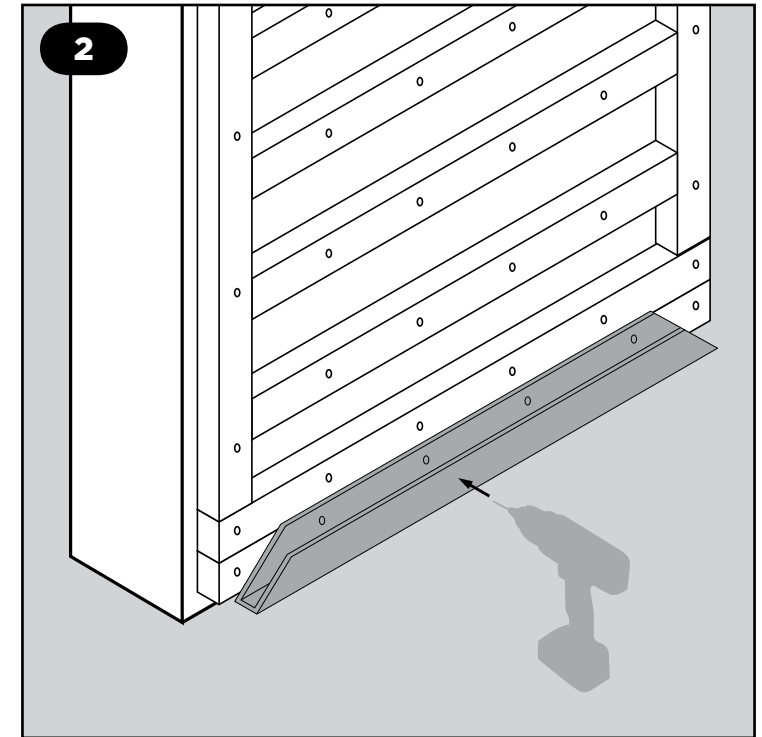
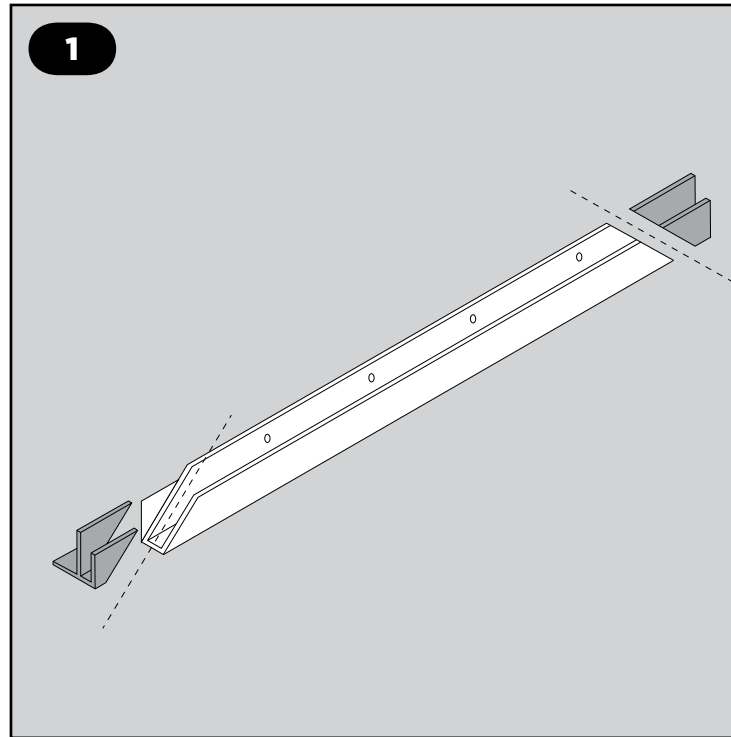
Using the F-shaped end trim if you need to finish off the cladding installation.

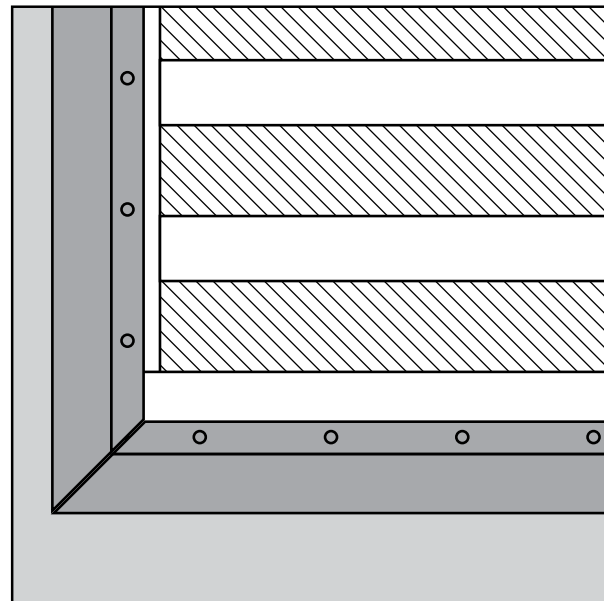
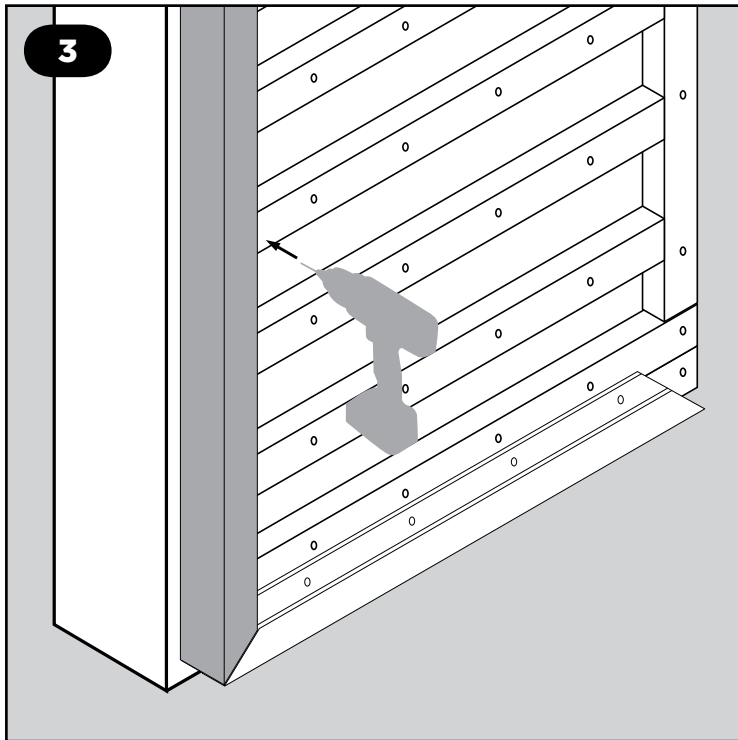
14. Insert the F-shaped end trim by pushing it over the respective cladding board as shown in Fig.7, secure in place as required.

Using Mitred F-shaped End Trims with the Starter Clips



1. Measure the required length of the F-shaped end trim.
2. Cut the ends with a 90 degree mitre as required and as shown in Fig.1.
3. Drill pilot holes and secure the trim to the battens ensuring it is level as shown in Fig.2.

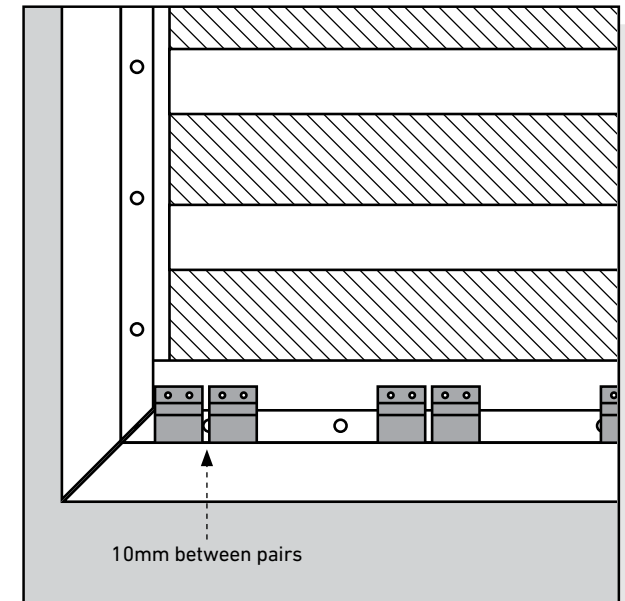
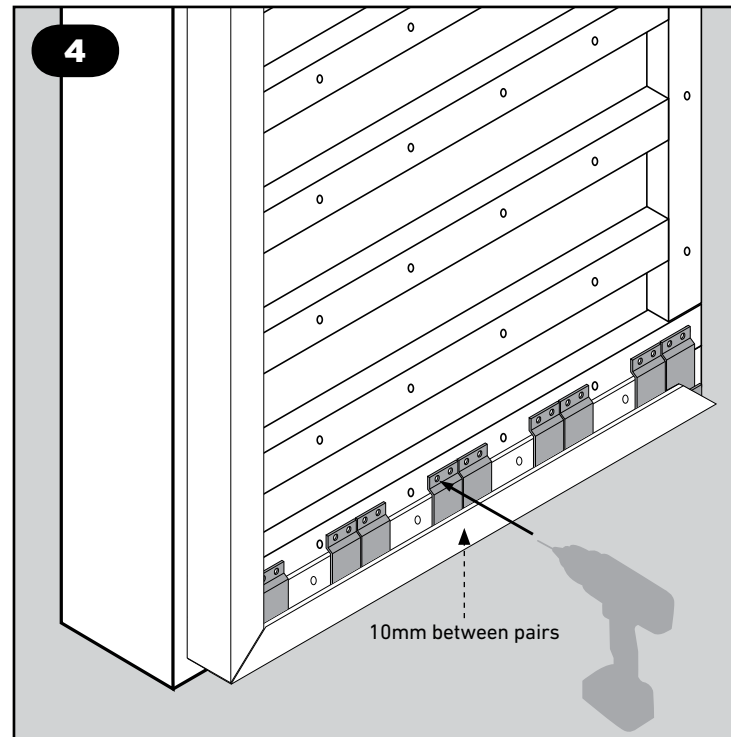


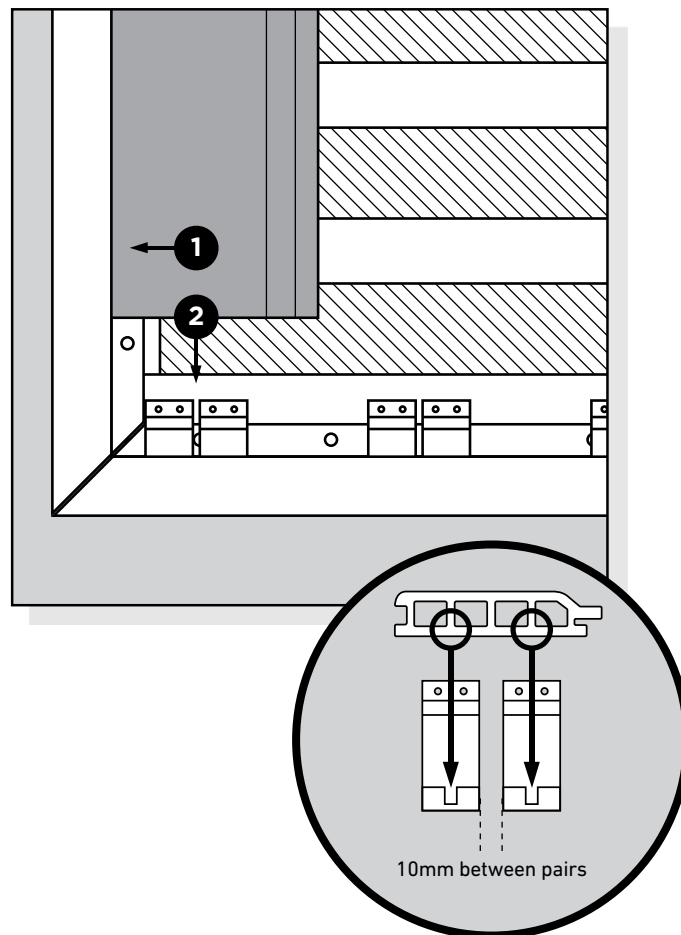
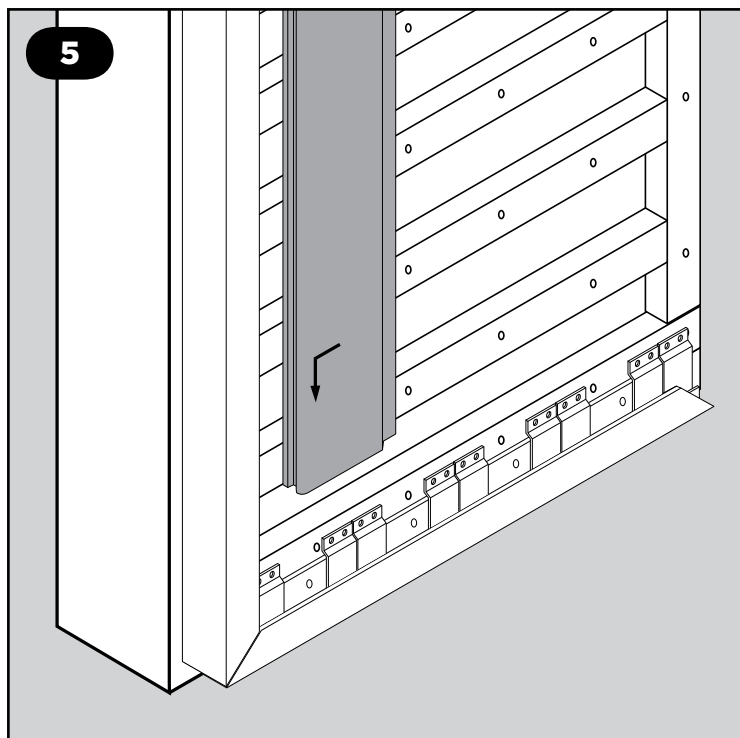


4. Repeat the process for the upright F-shaped end trim, ensuring that it is square and level with the bottom end trim.
5. We recommend that a 1.5mm gap is left between the mitre joints to allow for any possible expansion.

VERTICAL INSTALLATION METHOD 3

- 6 You will require two starter clips per board. The starter clips are designed to fit into the profile of the board.
- 7 Place the starter clip into the F-shaped end trim (as shown in Fig.4) and screw to the batten in the appropriate position, using the two top screw holes and the screws provided. Maintain a 10mm gap between pairs of starter clips.
- 8 Repeat the process in Fig.4 for all the required starter clips, ensuring that they are all level.

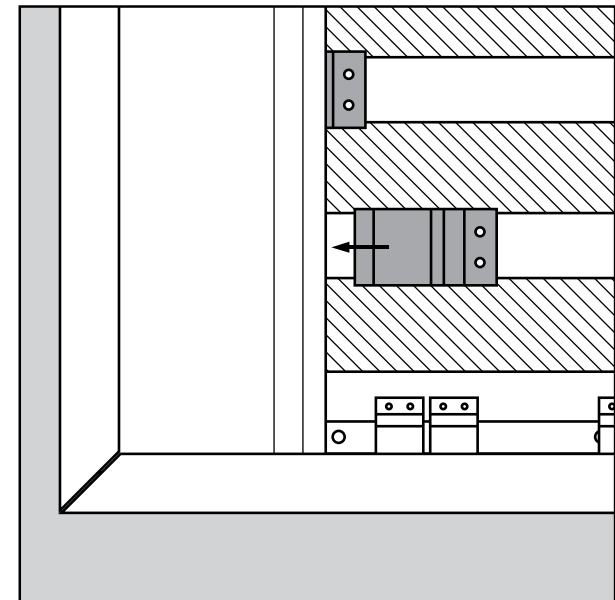
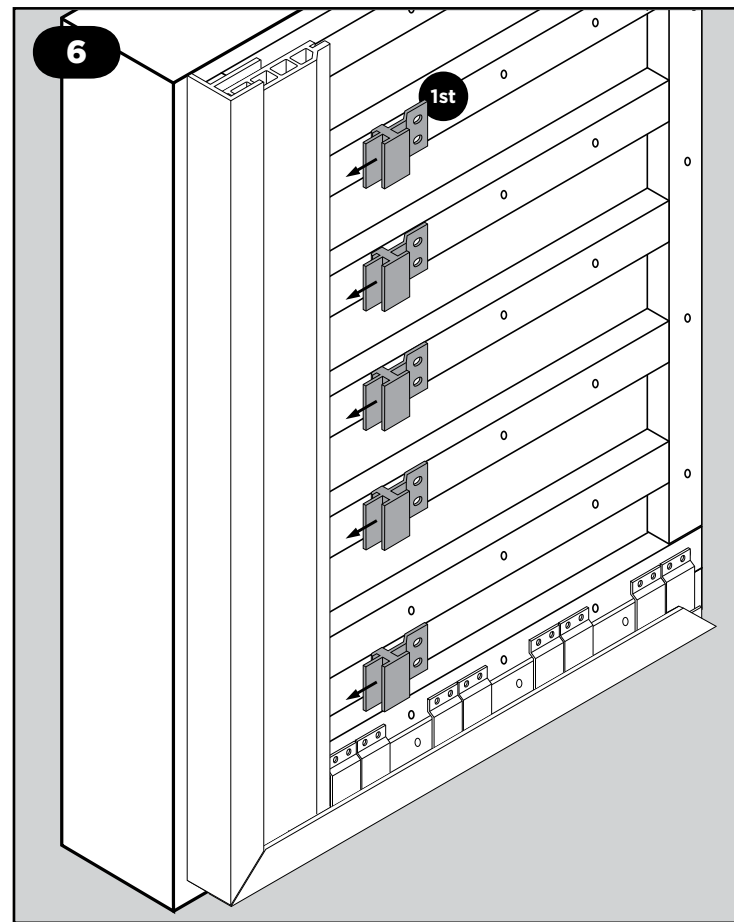


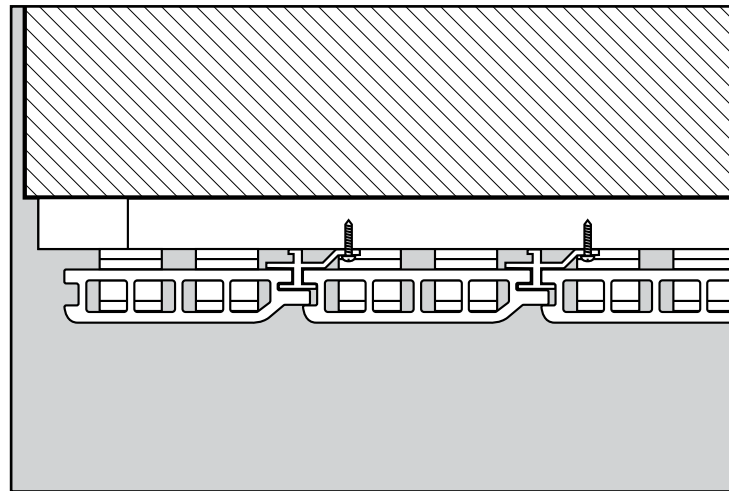
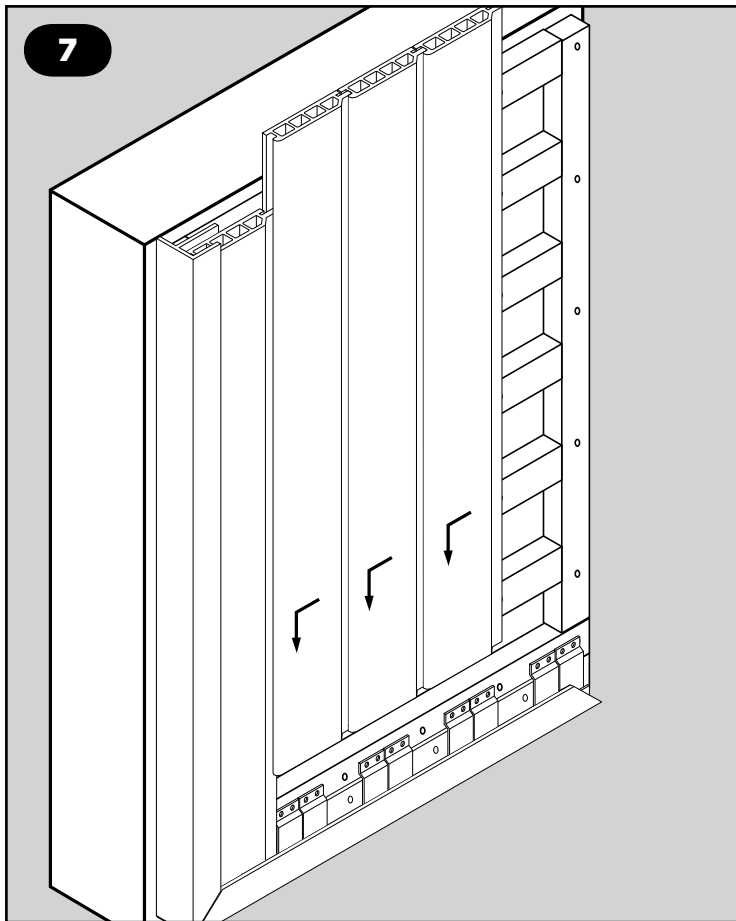


9. Push the cladding board into the end trim (fitted vertically, as shown in Fig.5.1).
10. Then push the cladding board down into the starter clips as shown in Fig.5.2.
11. With your first board, ensure that the board is vertically level/straight.

VERTICAL INSTALLATION METHOD 3

12. Secure the fixing clips into the cladding board, starting from the top and working your way down, as shown in Fig.6 (these just push into place).
13. The recommended distance between the fixing clips is 400mm.
14. Ensure that the cladding board is level and straight
15. Using the screws provided fasten the clips to the battens as required.

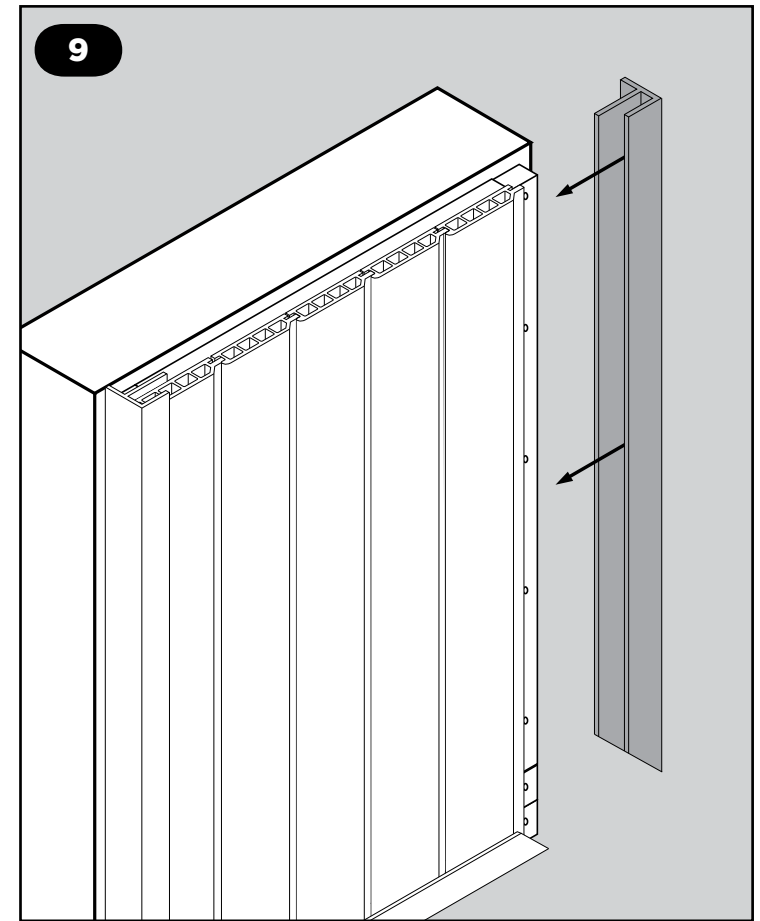
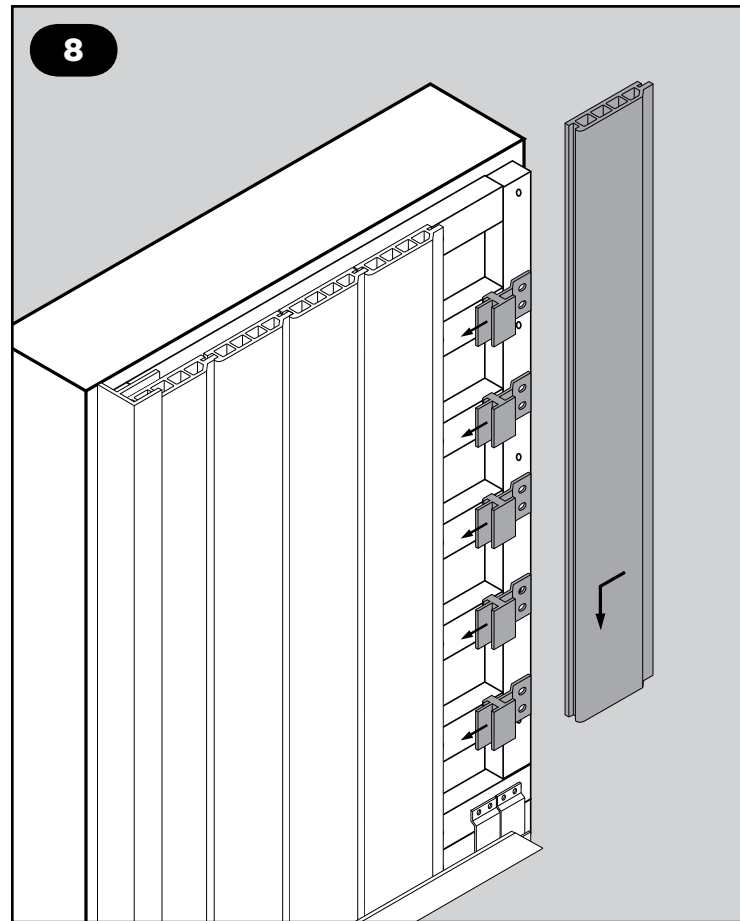


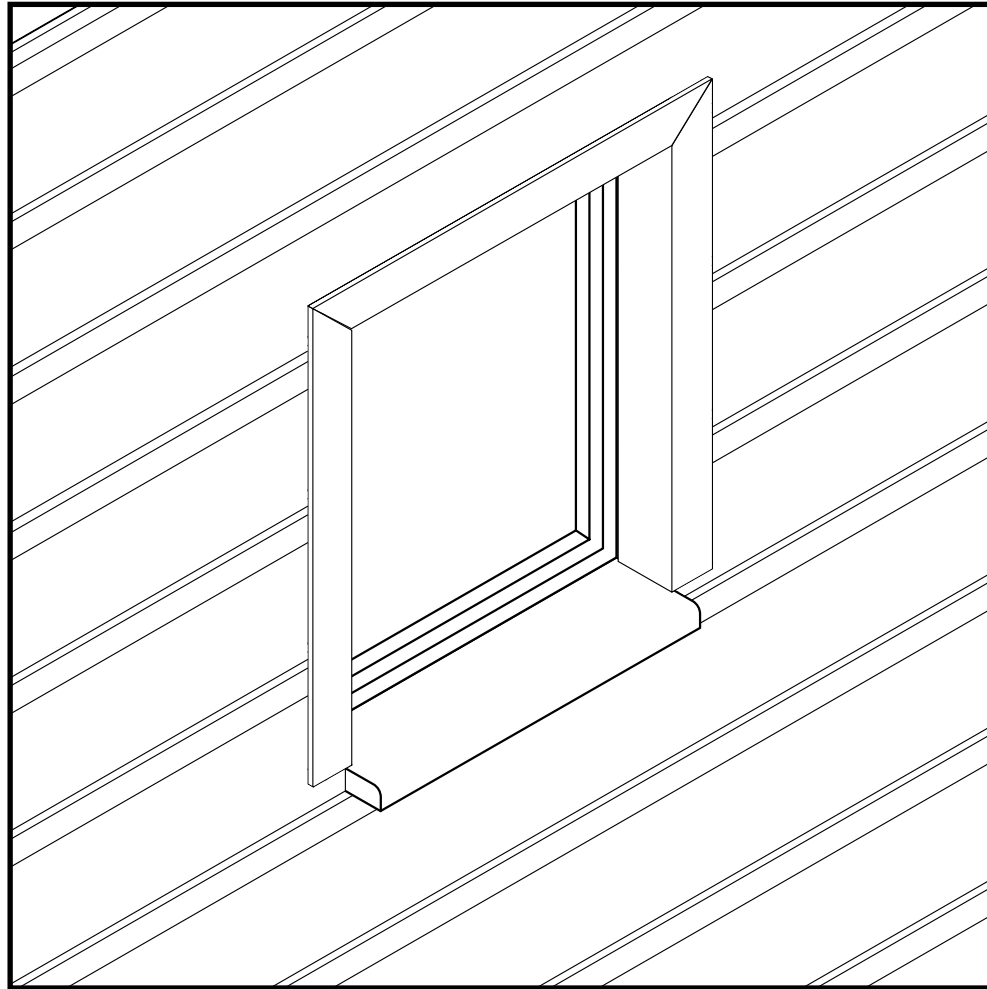


16. To install the additional cladding boards, position the cladding board vertically and push into the adjacent cladding board and fixing clips.
17. Now push the board down onto the starter clips
18. Repeat steps 11 and 12 for every additional cladding board.

VERTICAL INSTALLATION METHOD 3

19. Insert the F-shaped end trim by pushing it into the respective cladding board as shown in Fig.9 and secure in place as required.



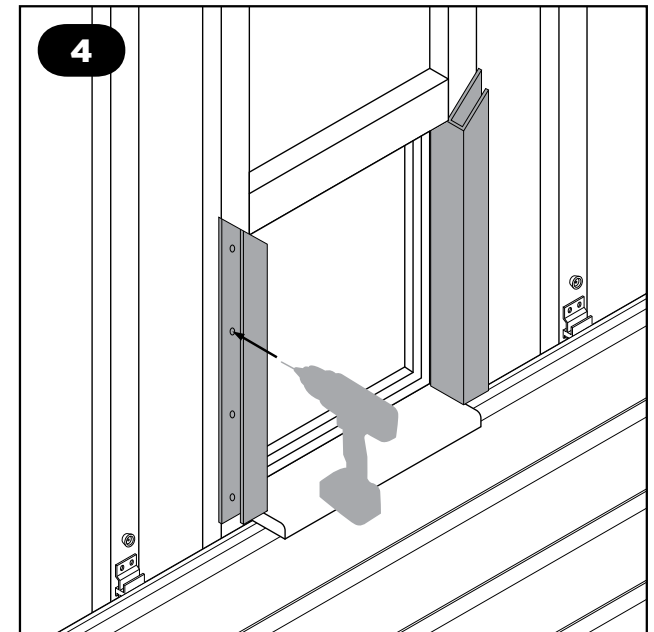
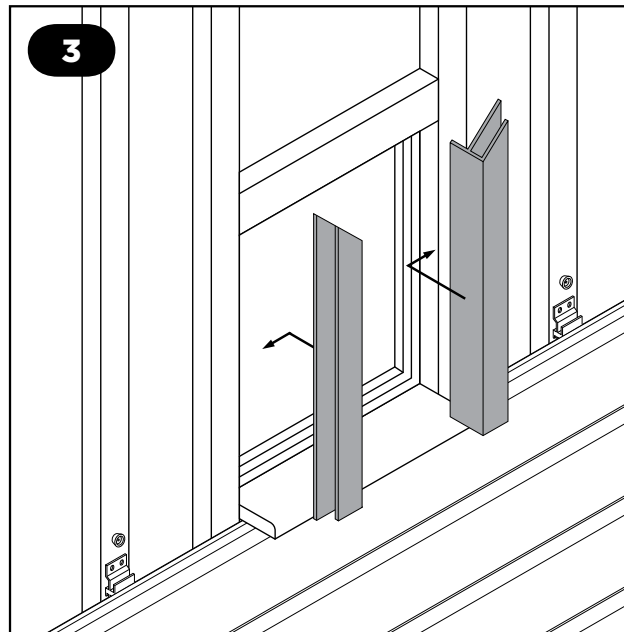
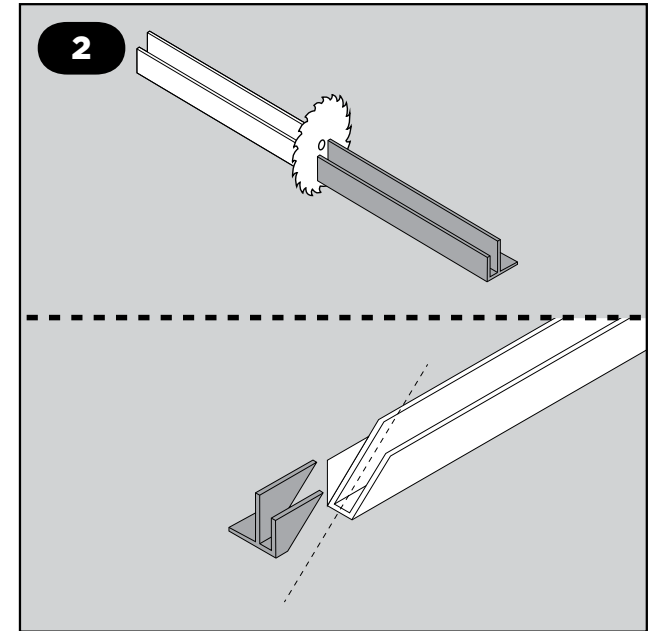
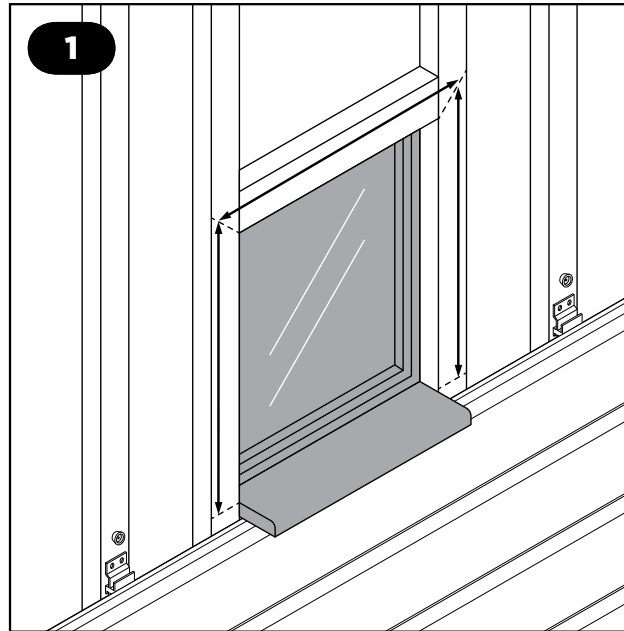


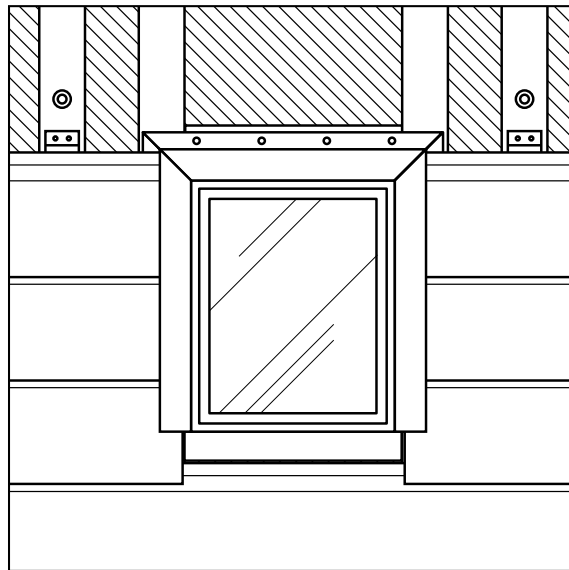
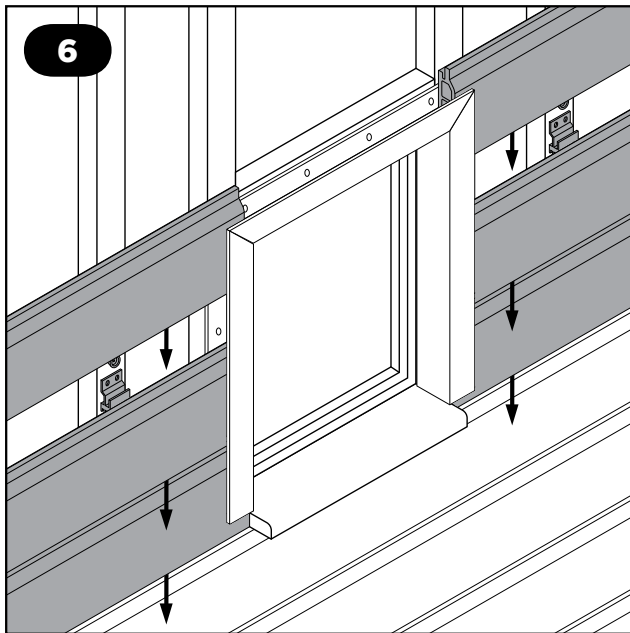
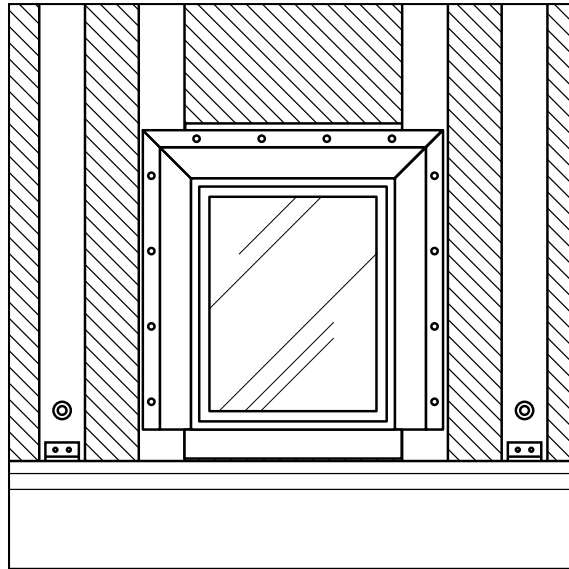
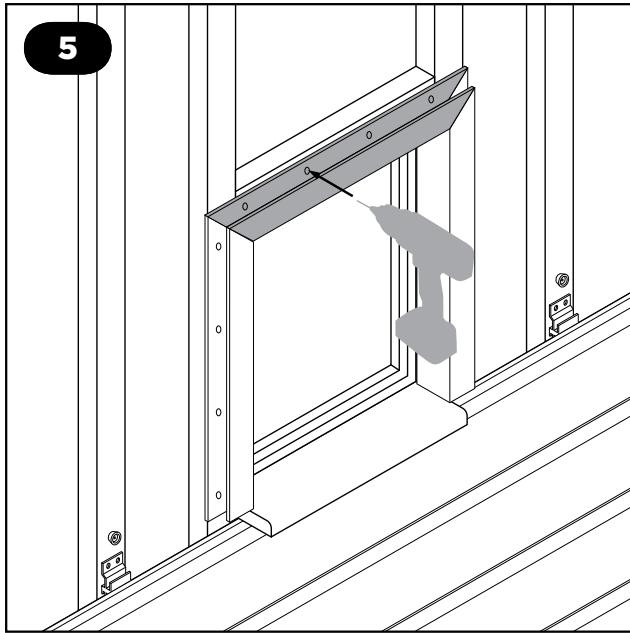
Windows and Doors

HD **CLAD**[®] **PRO**

Cladding around Windows and Doors

1. Measure the F-shaped end trim sections as required allowing for your mitre cuts (Fig.1).
2. Cut your 90 degree mitre edges as required (Fig.2).
3. Place the end trim section to the side of the window frame (Fig.3).
4. Drill pilot holes and fix the end trim using the appropriate fixings (Fig.4).
5. Repeat for the opposite side.

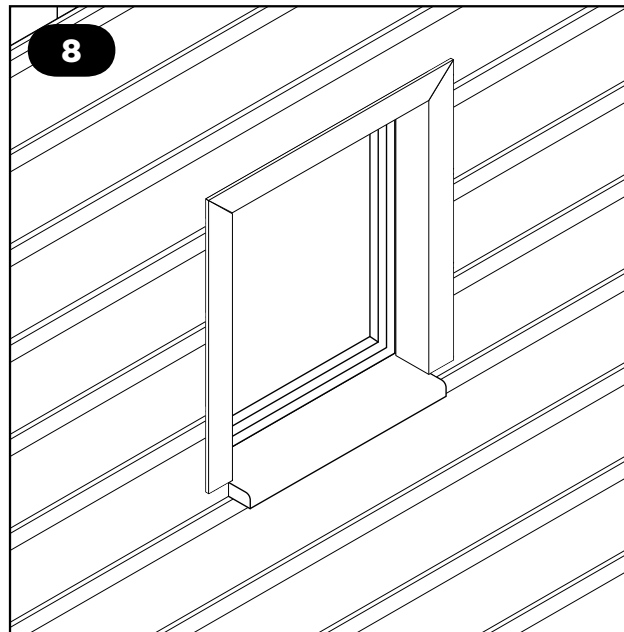
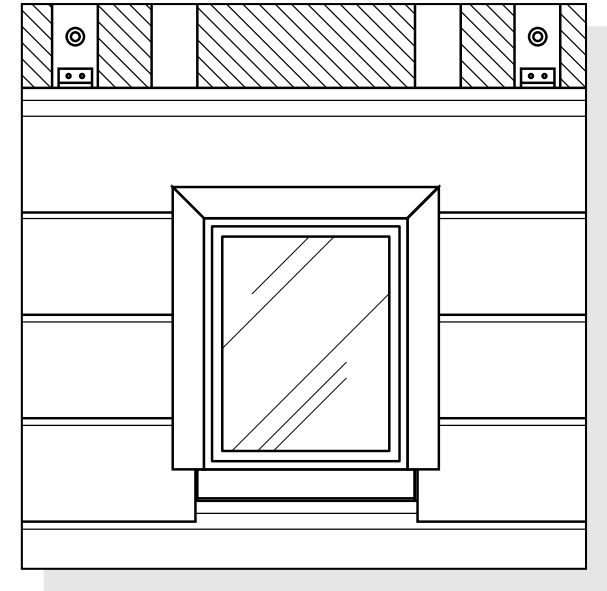
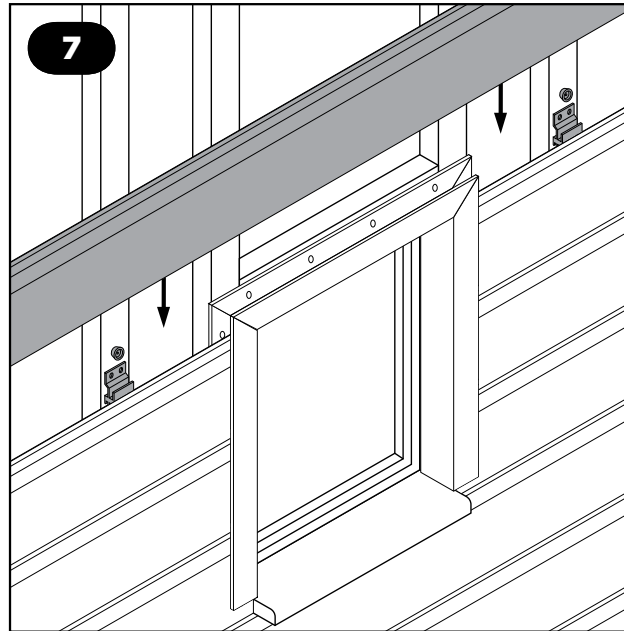




6. Place the cut piece of end trim that fits at the top and repeat the fixing process as per the sides (Fig.5).

7. Slide the cladding boards into the end trims as shown in Fig.6, remembering to secure each board with clips and spacer buttons.

8. Once you have installed the cladding boards on both sides of the window, proceed to fitting the cladding boards above the window to continue the installation as required.



Most windows and doors can be cladded around as per these recommendations, however other methods can be applied and are subject to the respective installation and project.

**If you require any further assistance
please contact us on 0113 426 2770**

HD CLAD[®] PRO

Images and drawings are for illustrative purposes only. *HD Clad Pro*[™] system may be installed in a variety of ways, we recommend that you draw out how you would like your cladding to appear, making notes of joins and battens before starting the installation. When cutting, always saw the board face up with a fine-toothed blade to prevent furring the face edge.

Don't forget to register your warranty, within 45 days of purchase, at www.composite-prime.com/register-warranty.



www.composite-prime.com

