



# Sensor

## Basin Sensor Tap

Product Code: SENSOR8/D

Finish: Chrome

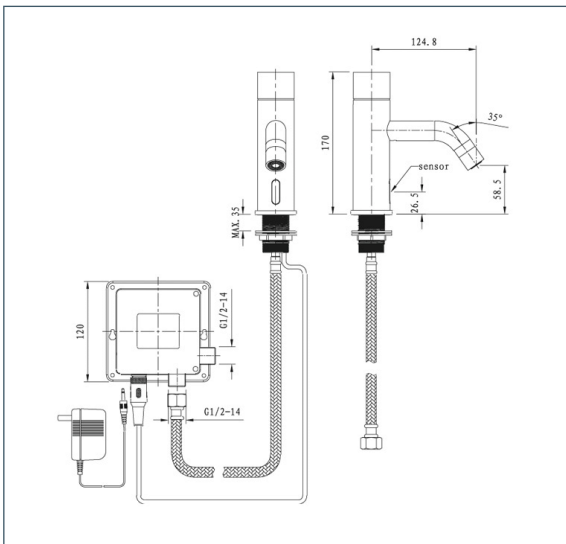
### Features

- Construction: Brass
- Valve/Cartridge type: Electro Valve
- Supply: Suitable for high pressure only
- Working Pressures: 0.5 - 5.0 bar
- Inlet connections: 1/2" BSP
- Flexi or Copper: Flexi Tails

- Suitable for cold or premixed water
- Moisture and water resistant control unit
- Choice of battery or mains power
- Battery operated, requires 4 x AA batteries
- Recommended for use with blending valve
- Products which are easy to use by all the family



\*Please refer to website for full warranty details.



### Flow (Bar - l/min, open outlet)

#### Spout

Flow 0.1	Flow 0.3	Flow 0.5	Flow 1.0	Flow 2.0	Flow 3.0	Flow 4.0	Flow 5.0
N/A	N/A	5.7	5.7	5.7	5.7	5.7	5.7



1605084

