



SAVANNA i COMPACT

Online Exclusive

50 Δt

(75/65/20°C)

K1



P+



K2



Height mm	Length mm	K1			P+			K2		
		Stelrad UIN	Heat output Watts	Heat output Btu/hr	Stelrad UIN	Heat output Watts	Heat output Btu/hr	Stelrad UIN	Heat output Watts	Heat output Btu/hr
300	500	931105	254	866	932105	373	1273	932205	490	1674
	1000	931110	508	1734	932110	745	2543	932210	981	3349
	1500	931115	762	2601	932115	1118	3816	932215	1472	5023
	2000	-	-	-	-	-	-	932220	1962	6698
450	400	941104	302	1032	-	-	-	942204	548	1871
	500	941105	378	1290	942105	528	1801	942205	685	2339
	600	941106	454	1548	942106	633	2161	942206	822	2807
	700	941107	529	1806	942107	739	2522	942207	959	3274
	800	941108	605	2064	942108	844	2882	942208	1096	3742
	900	941109	680	2322	942109	950	3242	942209	1234	4210
	1000	941110	756	2579	942110	1055	3602	942210	1371	4678
	1100	941111	831	2837	942111	1161	3962	942211	1508	5146
	1200	941112	907	3095	942112	1267	4323	942212	1645	5613
	1400	941114	1058	3611	942114	1478	5044	942214	1919	6549
	1600	941116	1209	4127	942116	1689	5764	942216	2193	7485
	1800	941118	1360	4643	942118	1900	6485	942218	2467	8420
	2000	941120	1512	5159	942120	2111	7205	942220	2742	9358
	2200	941122	1603	5470	-	-	-	942222	3016	10294
2400	941124	1814	6190	-	-	-	942224	3290	11230	
600	400	961104	392	1338	962104	539	1838	962204	693	2364
	500	961105	490	1672	962105	673	2298	962205	866	2955
	600	961106	588	2006	962106	808	2758	962206	1039	3546
	700	961107	686	2341	962107	943	3217	962207	1212	4137
	800	961108	784	2675	962108	1077	3677	962208	1385	4728
	900	961109	882	3009	962109	1212	4137	962209	1558	5319
	1000	961110	980	3344	962110	1347	4597	962210	1732	5910
	1100	961111	1078	3678	962111	1481	5056	962211	1905	6501
	1200	961112	1176	4013	962112	1616	5516	962212	2078	7092
	1400	961114	1372	4681	962114	1885	6435	962214	2424	8273
	1600	961116	1568	5350	962116	2155	7354	962216	2770	9455
	1800	961118	1764	6019	962118	2424	8273	962218	3117	10637
	2000	961120	2234	7623	962120	2694	9193	962220	3466	11831
	2200	961122	2156	7357	-	-	-	962222	3813	13014
2400	961124	2352	8025	-	-	-	962224	4160	14197	
700	400	971104	447	1524	972104	613	2092	972204	784	2676
	500	971105	558	1906	972105	766	2614	972205	980	3345
	600	971106	670	2287	972106	919	3137	972206	1176	4015
	700	971107	782	2668	972107	1072	3660	972207	1372	4684
	800	971108	893	3049	972108	1226	4183	972208	1568	5353
	900	971109	1005	3430	972109	1379	4706	972209	1764	6022
	1000	971110	1117	3811	972110	1532	5228	972210	1960	6691
	1100	971111	1228	4192	972111	1685	5752	972211	2156	7360
	1200	971112	1340	4573	972112	1839	6275	972212	2352	8029
	1400	971114	1563	5336	972114	2145	7320	972214	2745	9367
	1600	971116	1787	6098	-	-	-	972216	3137	10705
	1800	971118	2010	6860	-	-	-	972218	3529	12044
	2000	971120	2234	7623	-	-	-	972220	3927	13404

Δt 50 is the UK's industry standard for heating outputs, which has an operating temperature of 75/65/20°C. If you have a low temperature heat source you may wish to consider Δt 40 or Δt 30 output (see your installer or system designer or download from www.stelrad.com).

For EN442 data, technical and installation information please visit our website: www.stelrad.com and search product downloads.

For systems not operating at DeltaT 50 the correction factors table on page 50 should be applied.

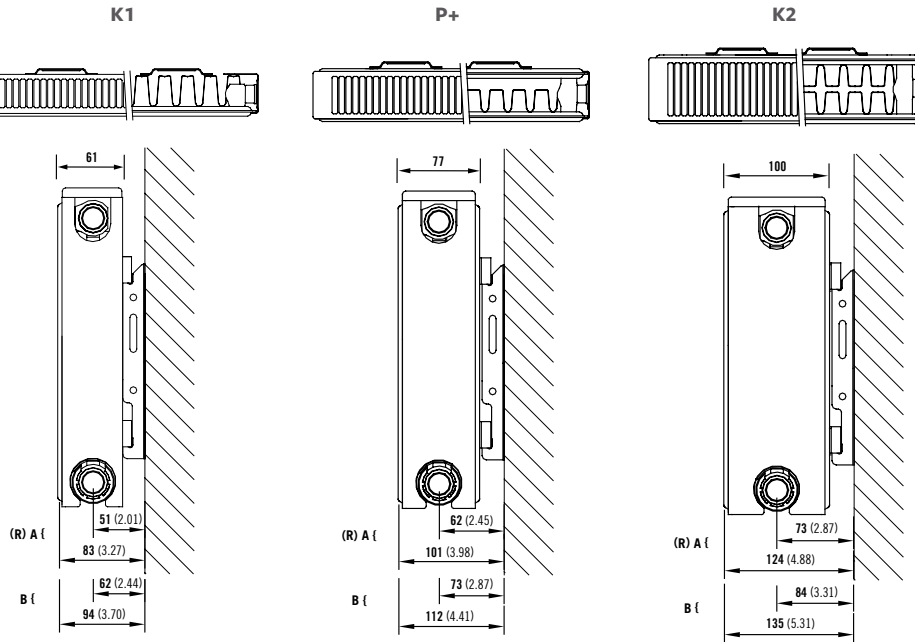
SAVANNA i COMPACT

Online Exclusive

WALL MOUNTING INFORMATION

All dimensions in mm. Inches in brackets.

Floor mounting brackets available.



BRACKET POSITION

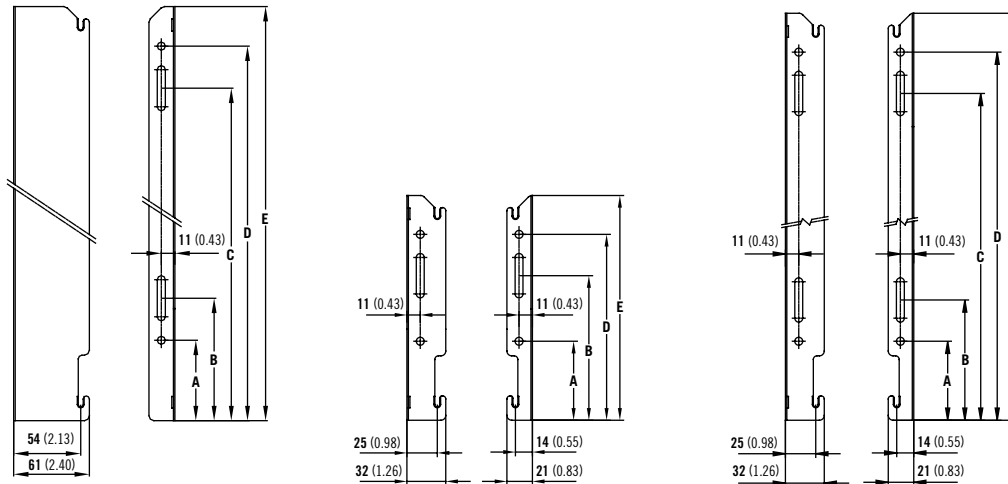
A = Closest to wall B = Furthest from wall (R) = Recommended mounting position.

SAVANNA i COMPACT

Online Exclusive

COMPACT MOUNTING BRACKETS

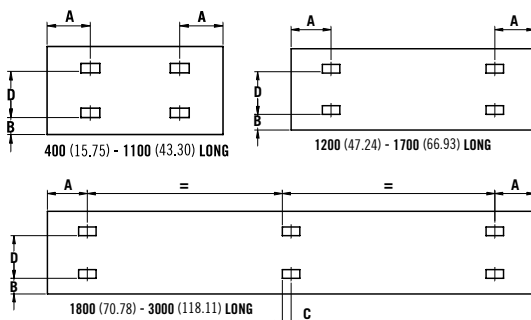
All dimensions in mm. Inches in brackets. Floor mounting brackets available.



Dimensions	mm	inches	mm	inches	mm	inches	mm	inches
Height	300	11.81	500	17.72	600	23.62	700	27.56
A	65	2.56	65	2.56	65	2.56	65	2.56
B	119	4.69	99	3.90	99	3.90	99	3.90
C	-	-	269	10.59	419	16.50	519	20.43
D	153	6.02	303	11.93	453	17.83	553	21.77
E	185	7.28	335	13.19	485	19.09	585	23.03

K1, P+ AND K2 LUG POSITIONS

All dimensions in mm. Inches in brackets.



P+ & K2

Dimensions	mm	in
A	133	5.24
B	60	2.36

K1

Dimensions	mm	in
A 400mm	117	4.61
A 500 - 3000mm	150	5.91
B 400 - 3000mm	60	2.36
C 1800 - 3000mm	17	0.67

PANEL HEIGHT

D		D	
mm	in	mm	in
300	11.81	155	6.10
500	17.72	305	12.01
600	23.62	455	17.91
700	27.56	555	21.95

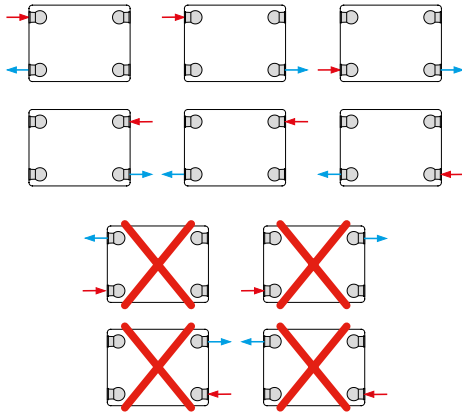
SAVANNA i COMPACT

Online Exclusive

CONNECTIONS

Each radiator comes with 1/2" inlet connections as standard.

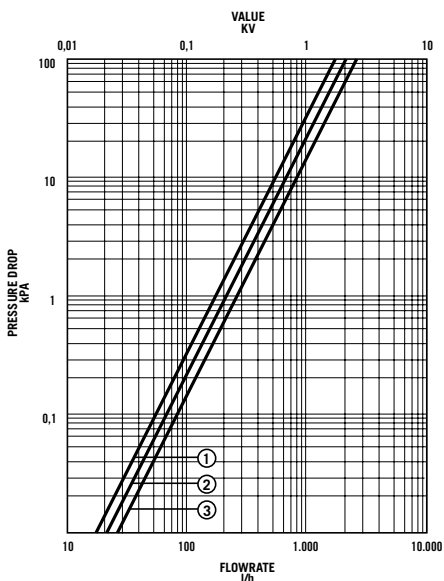
PIPING OPTIONS



EN 442 CERTIFICATION DATA - CETIAT TESTED IN ACCORDANCE WITH BS EN 442

Type	K1				P+				K2			
	300	500	600	700	300	500	600	700	300	500	600	700
Height	300	500	600	700	300	500	600	700	300	500	600	700
W/m at 75/65/20	509	756	980	1117	745	1055	1345	1530	982	1371	1732	1961
n-coefficients	1.32	1.31	1.29	1.29	1.33	1.33	1.34	1.34	1.33	1.33	1.33	1.34
Heated surface area (m ² /m)	2.09	3.37	4.66	5.51	2.44	3.84	5.24	6.18	3.51	5.62	7.74	9.15
Weight (kg/m)	9.31	14.51	19.70	22.90	14.29	22.04	29.80	34.50	16.80	25.90	35.00	40.53
Water contents (l/m)	1.89	2.57	3.25	3.77	3.70	5.15	6.60	7.63	3.70	5.15	6.60	7.63
Wall to tap centre (mm)	51	51	51	51	62	62	62	62	73	73	73	73

PRESSURE DROPS



- ① Type 10 (P1), 11 (K1)
- ② Type 21 (P+), 22 (K2)
- ③ Type 33 (K3)