

PRODUCT DATA SHEET



PRODUCT CODE

PRO110DNT

RANGE

MPRO

DESCRIPTION

MPRO Basin Monobloc Slate

WEBSITE LINK [Click Here](#)

CATEGORY	Brassware
WARRANTY DETAILS	15 Years
COLOUR	Slate
FINISH APPLICATION	PVD
PRIMARY MATERIAL	Brass
INSTALL TYPE	Deck Mounted
PRODUCT WIDTH MM	46
PRODUCT HEIGHT MM	165
PRODUCT LENGTH MM	151
PRODUCT NET WEIGHT KG	1.2
STANDARDS	BS EN 200:2008, BS EN 817:2008

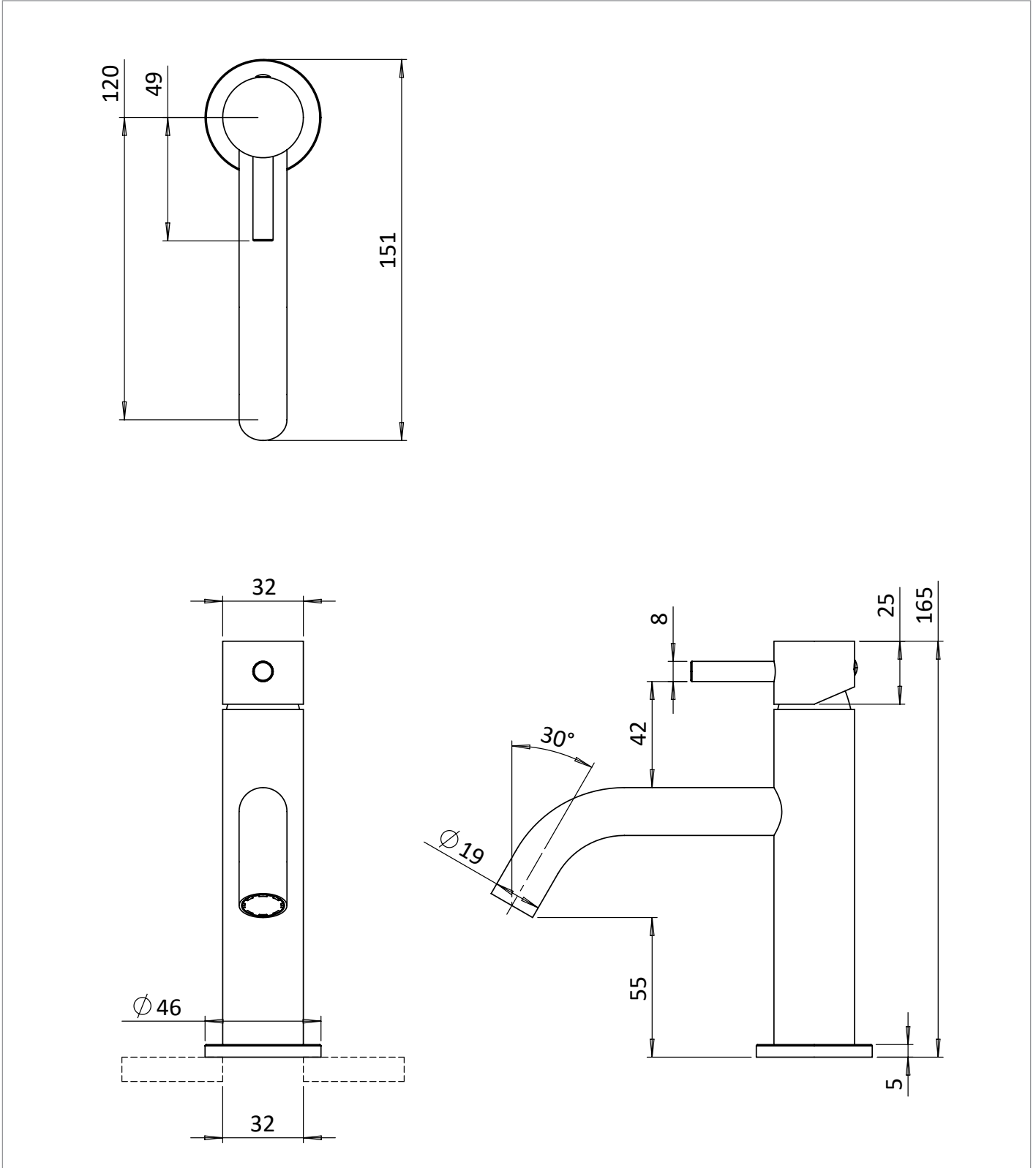
MINIMUM PRESSURE (BAR)	0.5
MAX WORKING PRESSURE (BAR)	5
NUMBER OF OUTLETS	1
HEADWORK	25mm Single lever ceramic cartridge
SPOUT PROJECTION	120
SWIVEL SPOUT	No
INLET CONNECTIONS THREAD	G1/2"
FLOW REGULATOR	Aerator Cache M16x1
WASTE INCLUDED	No
ANTI-SCALD	No
ENERGY SAVING	No
SHOWER HOSE & HANDSET ARE INCLUDED	No

PRESSURE (BAR)	0.2	0.5	1	2	3	4	5
PRIMARY FLOWRATE		3.06	4.42	5.72	4.83	4.71	4.59
HANDSET FLOWRATE							
MASSAGE FLOW RATE							
AIR FLOW RATE							
WIRE FLOW RATE							
WATERFALL FLOW RATE							
MIST FLOW RATE							
HANDSPRAY FLOW RATE							

TECHNICAL DIMENSIONS

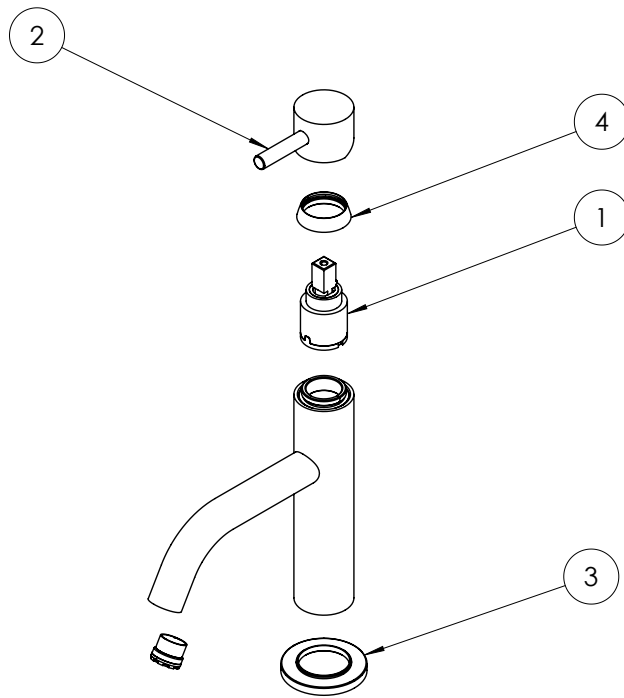
Dimensions in mm unless otherwise specified.

Tolerances (per material type) apply.



SPARES LIST

Only the parts labelled are available as spares.



NUMBER	PART CODE	DESCRIPTION
1	CGPRO114M	W-X1A126N Mixer Cartridge for PRO110/114
2	PRO110LEVERBZ	PRO110/112 Lever Brushed Bronze
	PRO110LEVERT	PRO110/112 Lever Slate
3	PROBASERING1BZ	PRO110 112 Base Ring Brushed Bronze
	PROBASERING1T	PRO110/112 Base Ring Slate
4	PROCARTLOCK2BZ	PRO110/112 Cartridge lock nut & cover Brushed Bronze
	PROCARTLOCK2T	PRO110/112 Cartridge lock nut & cover Slate