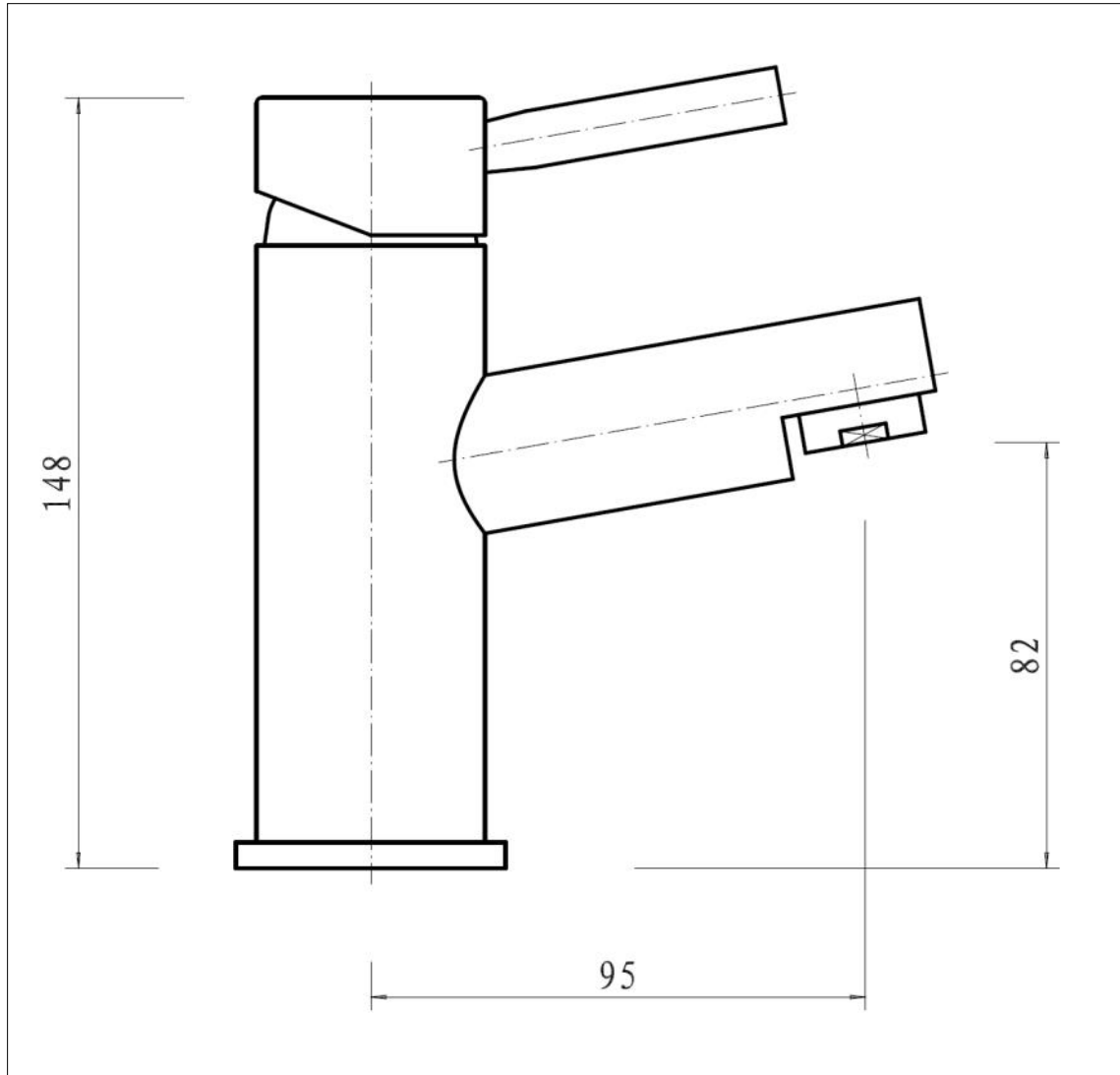


## Basin Mixer



### Features

- Supplied with clicker waste and 1/2" flexible tail water inlets
- Includes Neoperl aerator to ensure smooth flow
- Mounting base plate for premium finish
- Discreet etching for hot and cold
- 12 year warranty



Operating Pressure	0.2 bar	0.5 bar	1 bar
Flow Rate (L/min)	3.7	5.8	8