

PRODUCT DATA SHEET



PRODUCT CODE

BK0401SUW

RANGE

Beck

DESCRIPTION

Beck Cloakroom Basin Including Free Flow Waste 1TH 400x300mm White Gloss

WEBSITE LINK [Click Here](#)

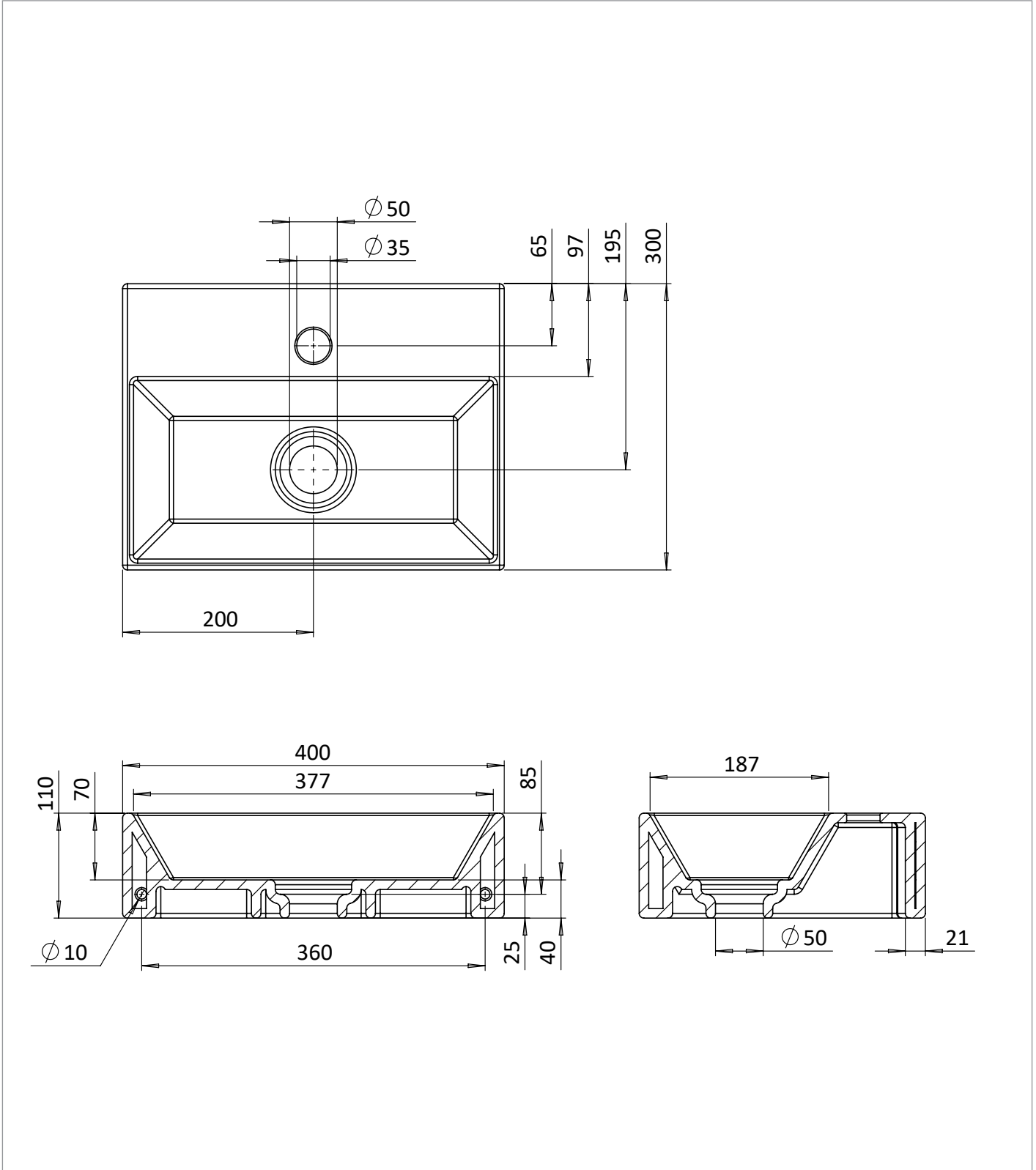
CATEGORY	Sanitaryware
WARRANTY DETAILS	Lifetime*
COLOUR	Gloss White
FINISH APPLICATION	Glazed
PRIMARY MATERIAL	Fine Fire Clay
INSTALL TYPE	Wall Mounted
PRODUCT WIDTH MM	400
PRODUCT HEIGHT MM	110
PRODUCT DEPTH MM	300
PRODUCT NET WEIGHT KG	11
STANDARDS	EN 14688 : 2007

TAP HOLES	1TH
FIXINGS INCLUDED	Yes
OVERFLOW	No
BASIN WASTE SIZE	46 mm
CAPACITY 1L - WATER AT OVERFLOW LEVEL BASIN	2.9

TECHNICAL DIMENSIONS

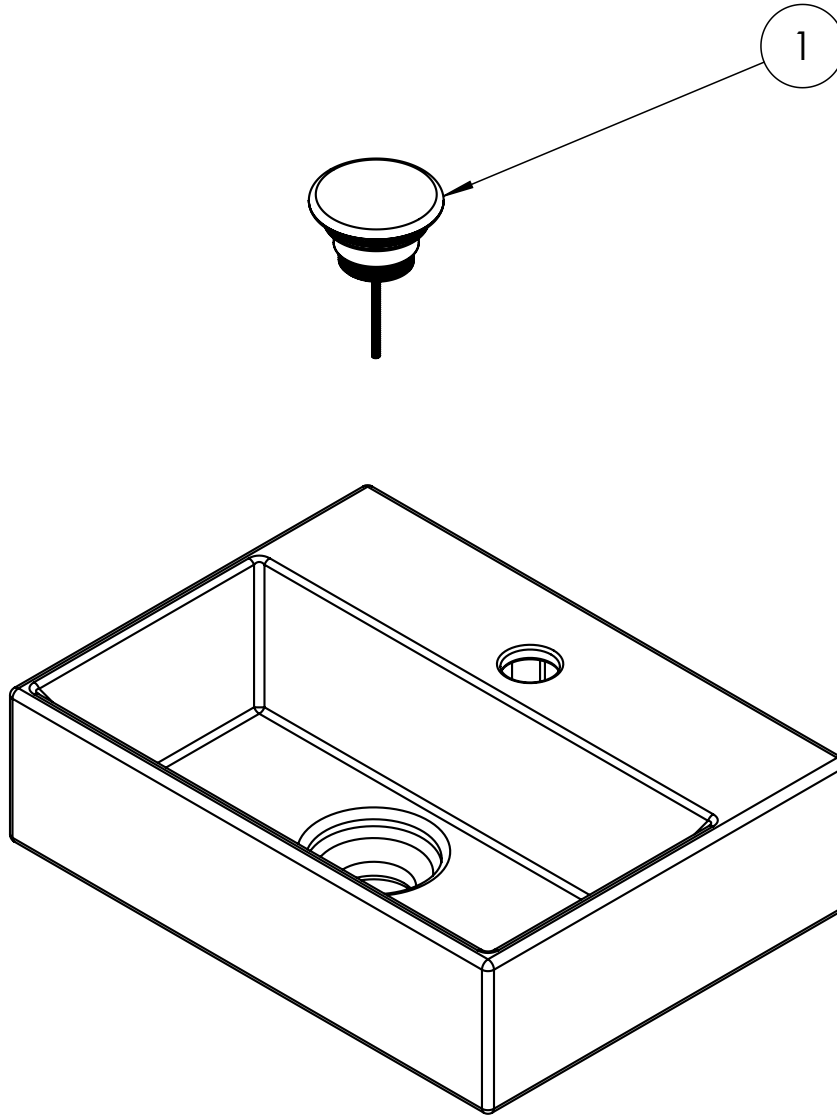
Dimensions in mm unless otherwise specified.

Tolerances (per material type) apply.



SPARES LIST

Only the parts labelled are available as spares.



NUMBER	PART CODE	DESCRIPTION
1	BKW0270WM	Beck Basin Waste Ceramic Free Flow White Matt
	BKW0270W	Beck Basin Waste Ceramic Free Flow White Gloss
	BKW0270PM	Beck Basin Waste Ceramic Free Flow Pink Matt
	BKW0270GM	Beck Basin Waste Ceramic Free Flow Green Matt
	BKW0270BM	Beck Basin Waste Ceramic Free Flow Black Matt