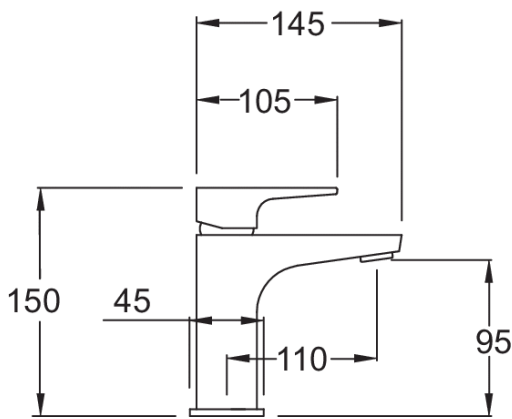


AMIO BASIN MIXER



CONSTRUCTION: Brass
CARTRIDGE/VALVE TYPE: 35mm Ceramic Cartridge
SUPPLY: Suitable For Low Pressure Systems
INLET CONNECTIONS: 1/2" BSP
WORKING PRESSURES: 0.1 - 5.0 bar
OPERATION: Single Lever Flow And Temperature Control

- Contemporary Shape
- Ceramic Cartridge For Smooth Operation
- Includes Press Top Waste
- Products Which Are Easy To Use By All The Family

AMBCPUK

Chrome

Open Outlet Flow (Bar - l/min)

BAR	0.1	0.3	0.5	1.0	2.0	3.0	4.0	5.0
SPOUT FLOW	3.1	4.6	6.1	8.7	12.4	15.2	17.6	19.7



2403726



1909080



Please Note: Flow rate will be dictated by installation configurations.
 Please ensure to check the appropriate flow restrictor information if applicable.
 *Please refer to website for full warranty details.

FREEPHONE: 0800 195 1602 | FAX ORDERS: 08444 068 690 | EMAIL: SALES@UK.METHVEN.COM

methven.com

THE INFORMATION ON THIS SPECIFICATION DOCUMENT WAS CORRECT AT THE DATE OF ISSUE. SOME VARIATION MAY OCCUR DUE TO THE MANUFACTURING TOLERANCES AND SITE SPECIFIC CONDITIONS.