

# PRODUCT DATA SHEET



## PRODUCT CODE

FS322DM

## RANGE

Fuse

## DESCRIPTION

Fuse Bath Filler Matt Black

WEBSITE LINK [Click Here](#)

CATEGORY	Brassware
WARRANTY DETAILS	15 Years
COLOUR	Matt Black
FINISH APPLICATION	Powder Coated
PRIMARY MATERIAL	Brass
INSTALL TYPE	Deck Mounted
PRODUCT WIDTH MM	215
PRODUCT HEIGHT MM	128
PRODUCT DEPTH MM	154
PRODUCT NET WEIGHT KG	1.72
STANDARDS	BS EN 200:2008

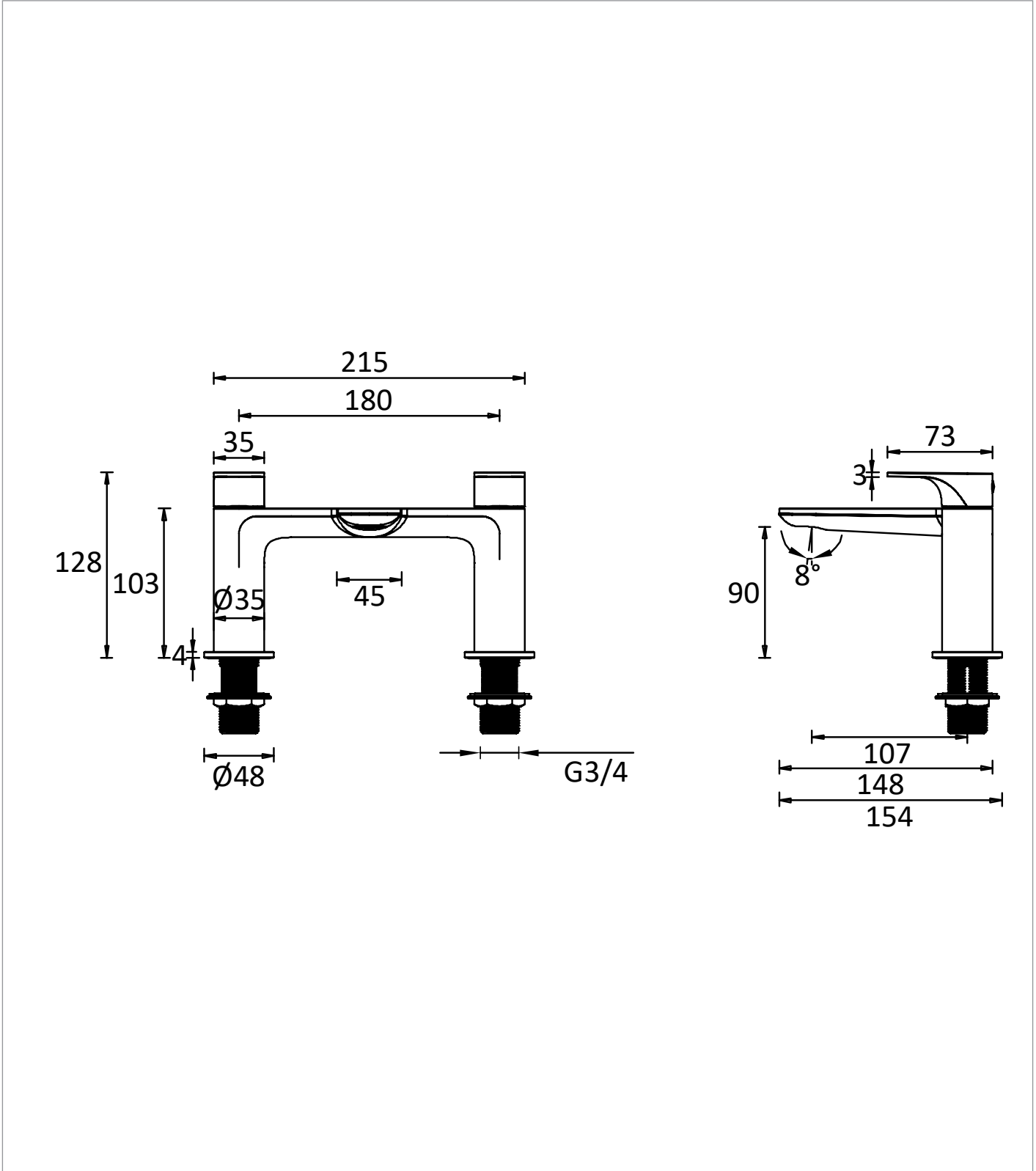
MINIMUM PRESSURE (BAR)	0.5
MAX WORKING PRESSURE (BAR)	5
HEADWORK	3/4" Quarter turn ceramic cartridge
SPOUT PROJECTION	107
SWIVEL SPOUT	No
INLET CONNECTIONS THREAD	G3/4"
FLOW REGULATOR	Slim Air Honeycomb M24x1
WASTE INCLUDED	No
ANTI-SCALD	No
ENERGY SAVING	No
SHOWER HOSE & HANDSET ARE INCLUDED	No

PRESSURE (BAR)	0.2	0.5	1	2	3	4	5
PRIMARY FLOWRATE		20.2	36	40	40	40	40
HANDSET FLOWRATE							
MASSAGE FLOW RATE							
AIR FLOW RATE							
WIRE FLOW RATE							
WATERFALL FLOW RATE							
MIST FLOW RATE							
HANDSPRAY FLOW RATE							

## TECHNICAL DIMENSIONS

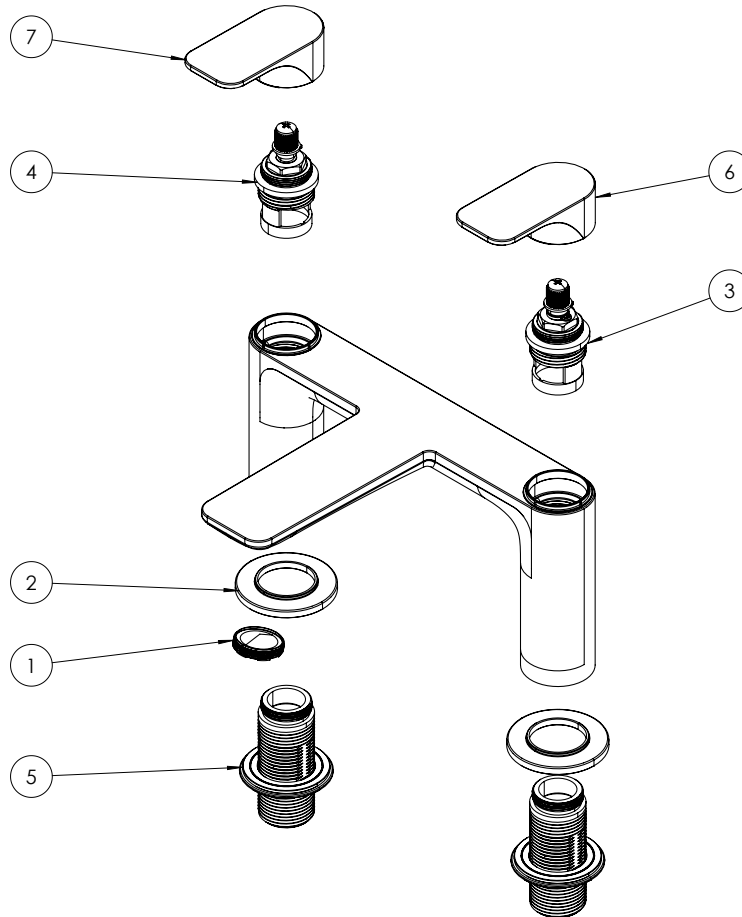
Dimensions in mm unless otherwise specified.

Tolerances (per material type) apply.



## SPARES LIST

Only the parts labelled are available as spares.



NUMBER	PART CODE	DESCRIPTION
1	CW1280	322/422 Aerator Drift & Fuse
2	CW1281	322/422 Base Plate Chrome Drift & Fuse
	CW1285	DR322/422 Base Plate Brushed Brass
	CW1288	322/422 Base Plate Matt Black Drift & Fuse
3	MB1002-01	Cartridge Cold
4	MB1002-02	Cartridge Hot
5	MB1199	Fixing Nut & Washer
6	CW1342	FS322/422 Handle Cold Brushed Brass
	CW1340	FS322/422 Handle Cold Chrome
	CW1344	FS322/422 Handle Cold Matt Black
7	CW1341	FS322/422 Handle Hot Brushed Brass
	CW1339	FS322/422 Handle Hot Chrome
	CW1343	FS322/422 Handle Hot Matt Black